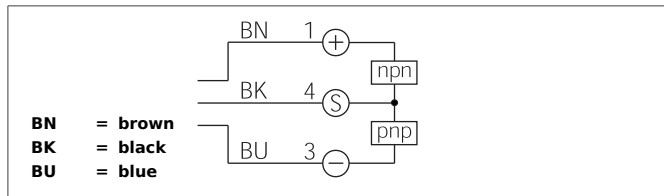


KDCT 6.5 V 02 G3-T3 Capacitive Proximity Switch

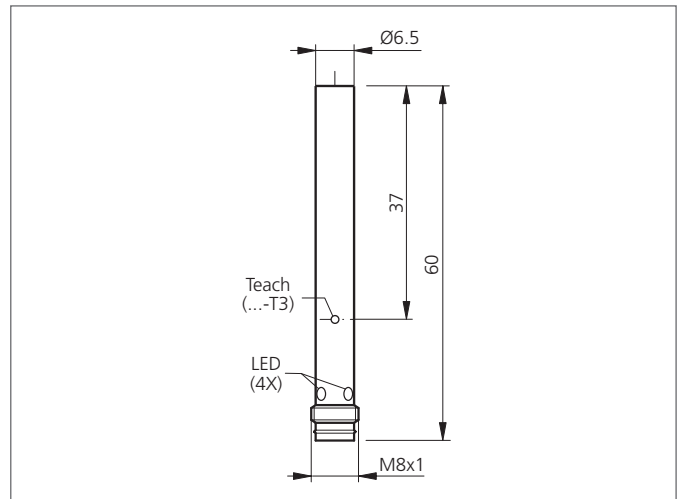
- Push-pull output pnp + npn
- Sensitivity adjustable, large operating distance
- Variable hysteresis
- Detection of liquids, powdery and solid materials
- Detection of metallic and non-metallic parts
- Detection possible even through containers and packages
- Stainless steel casing



Safety instructions

The Instruments are not to be used for safety applications, in particular applications in which safety of persons depends on proper operation of the instruments.

These instruments shall exclusively be used by qualified personnel.



TECHNICAL INFORMATION (typ.)		+20°C, 24V DC
Operating principle		Capacitive
Evaluation		digital
Size		Ø 6,5 mm (Diameter)
Design		cylinder
Mounting		flush
Operating distance		2 mm (0,1 ... 3 mm adjustable)
Standardized measuring plate		8 x 8 mm
Service voltage		18 ... 30 V DC
Internal power consumption		< 20 mA
Sensitivity adjustment		Teach key
Switching output		Push pull, 150 mA, NO/NC, switchable
Switching hysteresis		< 10 %
Display		LED yellow (Display output)
Voltage drop		< 2,4 V
Switching frequency		70 Hz
Ambient temperature		-25 ... +70 °C
Insulation voltage endurance		500 V
Protection class		IP 65
Protection degree		III, operation on protective low voltage
Casing material		stainless steel V2A (1.4301 / AISI 304)
Material		PBT (Sensor probe)
Connection		Connector, M8, 3-poled