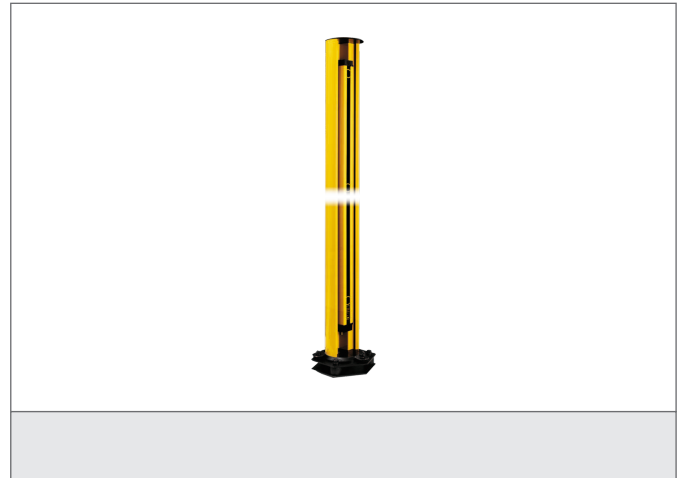


FMC-EB4R

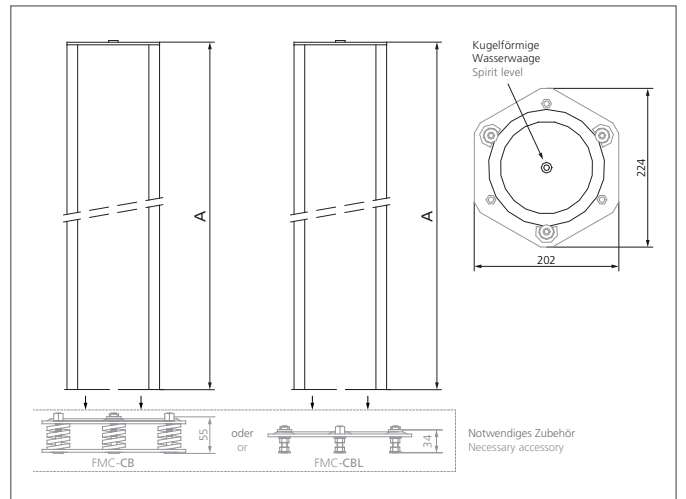
Mounting column

- Easy assembling and disassembling of the light grid
- Easy height adjustment of the first beam
- With rear cable entry
- Robust column made by aluminium extrusion poles
- With adjustable angular orientation
- Built-in spirit level for a correct positioning of the vertical axis



Safety instructions

All the installation, connection and safety regulations, as per our technical information, have to be strictly adhered to.
 The set-up of the products have to be made by skilled staff, only.
 Repair exclusively made by di-soric.



TECHNICAL INFORMATION (typ.)	
Total height (A)	1.330 mm
Operating principle	Mounting column
Characteristics	built-in spirit level
Configuration	rear cable entry (PG11 gland)
For	3 beam security light grids, 4 beam security light grids
Casing material	aluminium extrusion poles, epoxy powder coated, plastics
Scope of delivery	assembly instruction, 2 adjustable fixing brackets, Fixing material