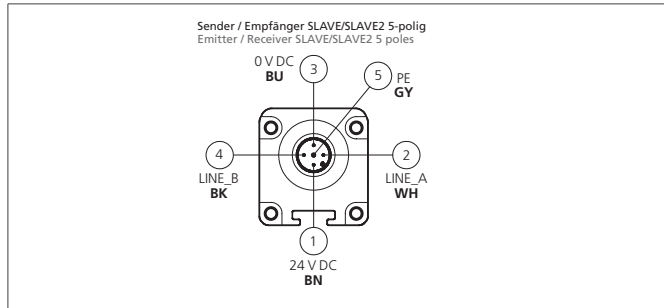
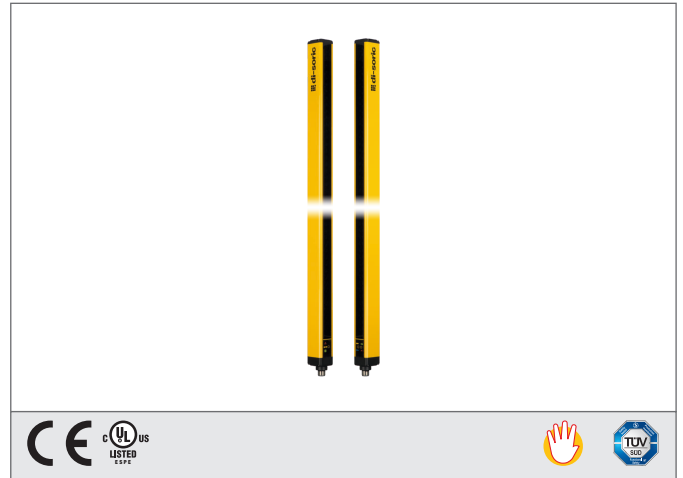


# SLI2-1503-S

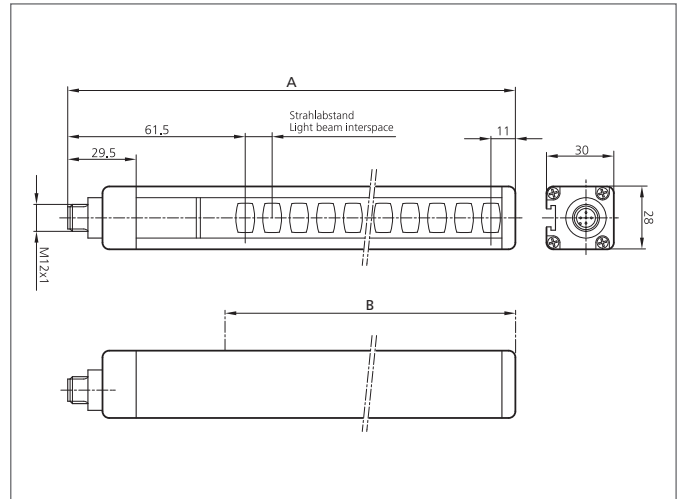
## Safety light curtain

- Attractive priced solution for safety level 2
- Resolution for hand protection
- Combination of different resolutions and protective field heights
- Up to three monitoring areas
- Only one safety module / two relays required for evaluation
- Simplified cabling via series connection
- Unshielded cable connections
- Cable connection Master / Slave 2 / Slave up to 50 m
- High protection class



### Safety instructions

All the installation, connection and safety regulations, as per our technical information, have to be strictly adhered to. The set-up of the products have to be made by skilled staff, only. Repair exclusively made by di-soric.



| TECHNICAL INFORMATION (typ.) | +20°C, 24 V DC  |
|------------------------------|---|
| Safety level                 | Type 2 (IEC/TS 61496-2), SIL 1 (IEC 61508), SILCL 1 (IEC 62061), PL c - Cat. 2 (EN ISO 13849-1) |
| Security level               | Hand detection  |
| Total height (A)             | 1.563 mm  |
| Protective field height (B)  | 1.510 mm  |
| Model                        | built-in control functions (EDM), Slave   |
| Mounting                     | T-shaped slot (Backside), / Holder SFB E 180 (optional)   |
| Number of beams              | 76  |
| Emitted light                | Infrared, 950 nm  |
| Service voltage              | 19,2 ... 28,8 V DC  |
| Operating distance           | 4 m (Low Range) / 12 m (High Range)   |
| Resolution                   | 30 mm   |
| Inverse polarity protection  | Yes   |
| Display                      | LEDs for light curtain's status and diagnostic  |
| Short-circuit protection     | yes   |
| Reaction time                | calculation formula   |
| Self diagnostic              | Every 500 ms (2 Hz)   |
| Ambient temperature          | -30 ... +55 °C  |
| Protection class             | IP 65, IP 67  |
| Protection degree            | III, operation on protective low voltage  |
| For                          | Operating with Master or Master / Slave 2   |
| Casing material              | Aluminium   |
| Material                     | polycarbonate (Window)  |

## SLI2-1503-S Safety light curtain



| <b>TECHNICAL INFORMATION (typ.)</b> | <b>+20°C, 24 V DC</b>   |
|-------------------------------------|---|
| Connection Master / Slave 2 / Slave | Connector, M12, 5-poled for transmitter and receiver  |
| Cable                               | unshielded connecting cables Master / Slave 2 / Slave max. 50 m   |
| Scope of delivery                   | Emitter + receiver, one set of standard fixing brackets SA 6, CD-ROM containing the multi-language instruction manual, quick installation guide |