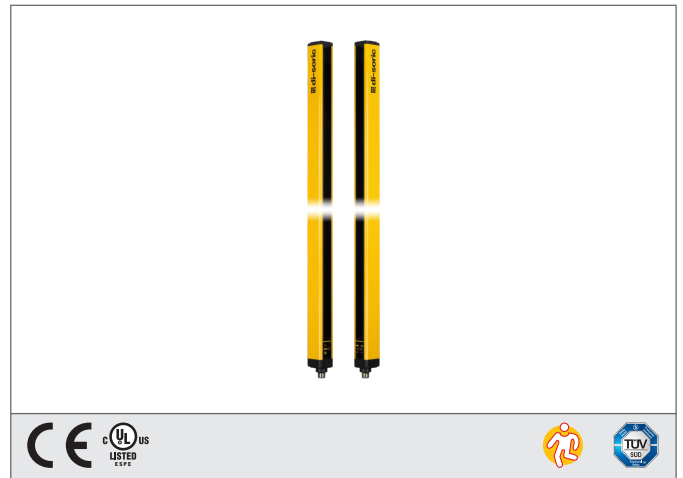


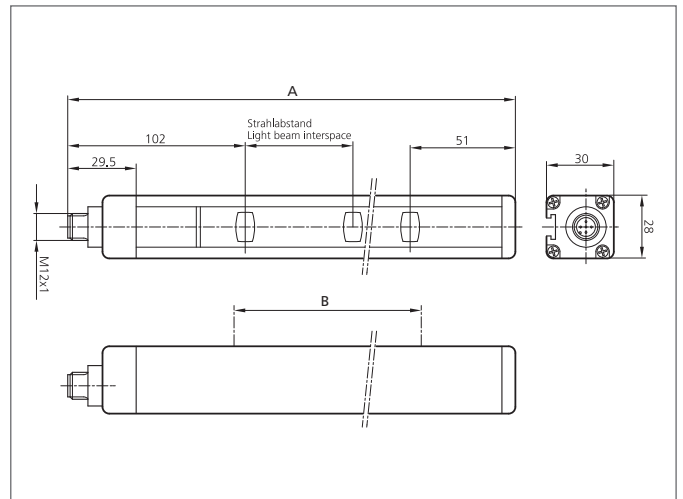
SLI2-4B-S Safety light grid

- Attractive priced solution for safety level 2
- Light beam interspace for access control
- Combination of different resolutions and protective field heights
- Up to three monitoring areas
- Only one safety module / two relays required for evaluation
- Simplified cabling via series connection
- Unshielded cable connections
- Cable connection Master / Slave 2 / Slave up to 50 m
- High protection class



Safety instructions

All the installation, connection and safety regulations, as per our technical information, have to be strictly adhered to.
The set-up of the products have to be made by skilled staff, only.
Repair exclusively made by di-soric.



TECHNICAL INFORMATION (typ.)		+20°C, 24 V DC
Safety level		Type 2 (IEC/TS 61496-2), SIL 1 (IEC 61508), SILCL 1 (IEC 62061), PL c - Cat. 2 (EN ISO 13849-1)
Security level		Access control
Total height (A)		1.053 mm
Protective field height (B)		910 mm
Model		built-in control functions (EDM), Slave
Mounting		T-shaped slot (Backside), / Holder SFB E 180 (optional)
Light beam interspace		300 mm
Number of beams		4
Emitted light		Infrared, 950 nm
Service voltage		19,2 ... 28,8 V DC
Operating distance		4 m (Low Range) / 12 m (High Range)
Inverse polarity protection		Yes
Display		LEDs for light curtain's status and diagnostic
Short-circuit protection		yes
Reaction time		calculation formula
Self diagnostic		Every 500 ms (2 Hz)
Ambient temperature		-30 ... +55 °C
Protection class		IP 65, IP 67
Protection degree		III, operation on protective low voltage
For		Operating with Master or Master / Slave 2
Casing material		Aluminium
Material		polycarbonate (Window)

SLI2-4B-S Safety light grid



TECHNICAL INFORMATION (typ.)	+20°C, 24 V DC
Connection Master / Slave 2 / Slave	Connector, M12, 5-poled for transmitter and receiver
Cable	unshielded connecting cables Master / Slave 2 / Slave max. 50 m
Scope of delivery	Emitter + receiver, one set of standard fixing brackets SA 4, CD-ROM containing the multi-language instruction manual, quick installation guide