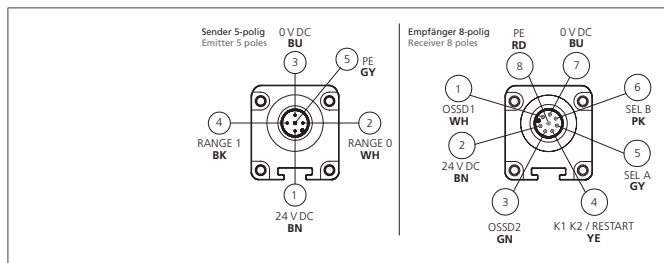


# SLI2-603

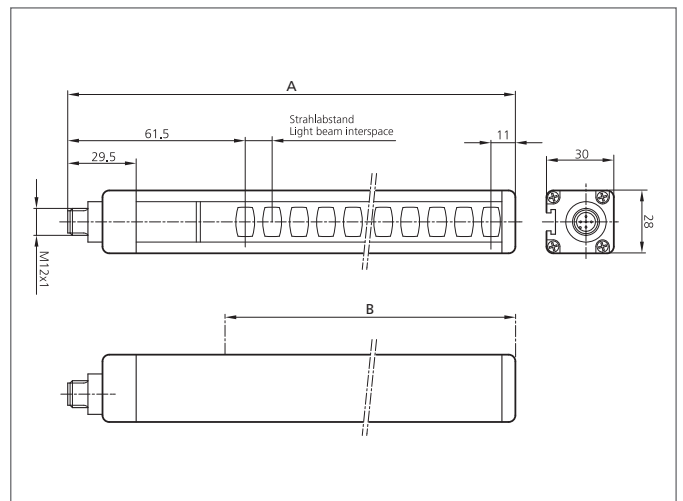
## Safety light curtain

- Attractive priced solution for safety level 2
- Resolution for hand protection
- Protection area until end of profile
- Integrated safety function - no external safety relay required
- Parameterisation via connecting cable
- Selectable manual or automatic Start/Restart
- Feedpack input for external relay monitoring (EDM)
- Unshielded connecting cables to 100 m
- High protection class



### Safety instructions

All the installation, connection and safety regulations, as per our technical information, have to be strictly adhered to. The set-up of the products have to be made by skilled staff, only. Repair exclusively made by di-soric.



| TECHNICAL INFORMATION (typ.)     |  | +20°C, 24 V DC  |
|----------------------------------|--|---|
| Safety level                     |  | Type 2 (IEC/TS 61496-2), SIL 1 (IEC 61508), SILCL 1 (IEC 62061), PL c - Cat. 2 (EN ISO 13849-1) |
| Security level                   |  | Hand detection  |
| Total height (A)                 |  | 663 mm  |
| Protective field height (B)      |  | 610 mm  |
| Model                            |  | built-in control functions (EDM)  |
| Mounting                         |  | T-shaped slot (Backside), / Holder SFB E 180 (optional)   |
| Number of beams                  |  | 31  |
| Emitted light                    |  | Infrared, 950 nm  |
| Safety output                    |  | PNP (2x), 400 mA / 24 V DC  |
| Service voltage                  |  | 19,2 ... 28,8 V DC  |
| Operating distance               |  | 4 m (Low Range) / 12 m (High Range)   |
| Resolution                       |  | 30 mm   |
| Inverse polarity protection      |  | Yes   |
| Display                          |  | LEDs for light curtain's status and diagnostic  |
| Start / restart                  |  | Automatic / manual (selectable)   |
| External Device Monitoring - EDM |  | Feedback input, enabling selectable   |
| Short-circuit protection         |  | yes   |
| Reaction time                    |  | 10 ms   |
| Self diagnostic                  |  | Every 500 ms (2 Hz)   |
| Ambient temperature              |  | -30 ... +55 °C  |
| Protection class                 |  | IP 65, IP 67  |
| Protection degree                |  | III, operation on protective low voltage  |

## SLI2-603 Safety light curtain



| <b>TECHNICAL INFORMATION (typ.)</b> | <b>+20°C, 24 V DC</b>   |
|-------------------------------------|---|
| Casing material                     | Aluminium   |
| Material                            | polycarbonate (Window)  |
| Connection                          | M12, 5poled for transmitter, M12, 8poled for receiver, Connector  |
| Cable                               | unshielded connection cables max. 100 m   |
| Scope of delivery                   | Emitter + receiver, one set of standard fixing brackets SA 4, CD-ROM containing the multi-language instruction manual, quick installation guide |