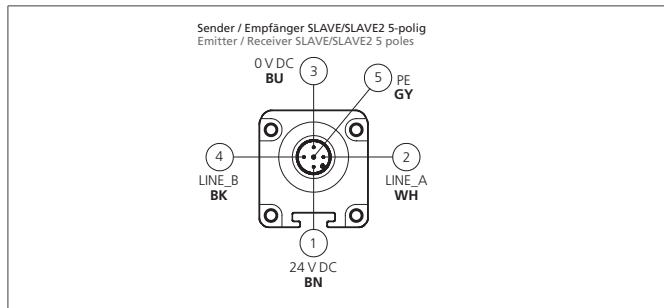
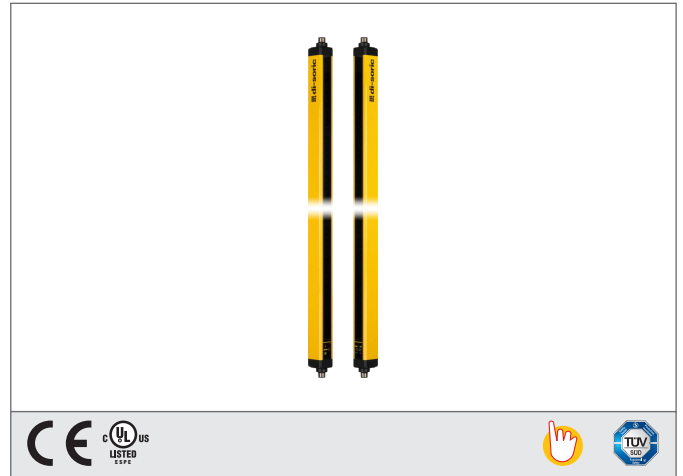


SLI4-1051-S2

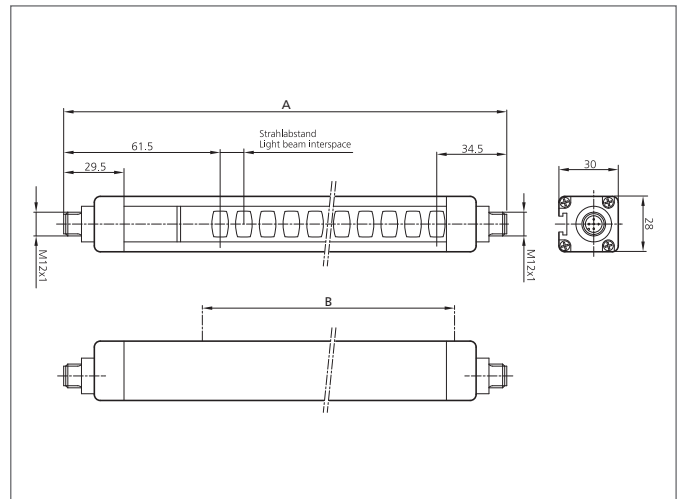
Safety light curtain

- Highest safety level
- Resolution for finger protection
- Combination of different resolutions and protective field heights
- Up to three monitoring areas
- Only one safety module / two relays required for evaluation
- Simplified cabling via series connection
- Unshielded cable connections
- Cable connection Master / Slave 2 / Slave up to 50 m
- High protection class



Safety instructions

All the installation, connection and safety regulations, as per our technical information, have to be strictly adhered to. The set-up of the products have to be made by skilled staff, only. Repair exclusively made by di-soric.



| TECHNICAL INFORMATION (typ.) | +20°C, 24 V DC |
|-------------------------------------|---|
| Safety level | Type 4 (IEC/TS 61496-2), SIL 3 (IEC 61508), SILCL 3 (IEC 62061), PL e - Cat. 4 (EN ISO 13849-1) |
| Security level | Finger detection |
| Total height (A) | 1.137 mm |
| Protective field height (B) | 1.060 mm |
| Model | built-in control functions (EDM), Slave 2 |
| Mounting | T-shaped slot (Backside), / Holder SFB E 180 (optional) |
| Number of beams | 105 |
| Emitted light | Infrared, 950 nm |
| Service voltage | 19,2 ... 28,8 V DC |
| Operating distance | 3 m (Low Range) / 6 m (High Range) |
| Resolution | 14 mm |
| Inverse polarity protection | Yes |
| Display | LEDs for light curtain's status and diagnostic |
| Short-circuit protection | yes |
| Reaction time | calculation formula |
| Ambient temperature | -20 ... +55 °C |
| Protection class | IP 65, IP 67 |
| Protection degree | III, operation on protective low voltage |
| For | Operating with Master and Slave |
| Casing material | Aluminium |
| Material | polycarbonate (Window) |
| Connection Master / Slave 2 / Slave | Connector, M12, 5-poled for transmitter and receiver |

SLI4-1051-S2

Safety light curtain



| TECHNICAL INFORMATION (typ.) | +20°C, 24 V DC |
|------------------------------|---|
| Cable | unshielded connecting cables Master / Slave 2 / Slave max. 50 m |
| Scope of delivery | Emitter + receiver, one set of standard fixing brackets SA 4, CD-ROM containing the multi-language instruction manual, quick installation guide |