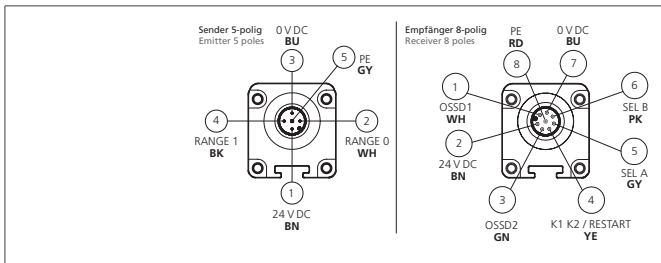
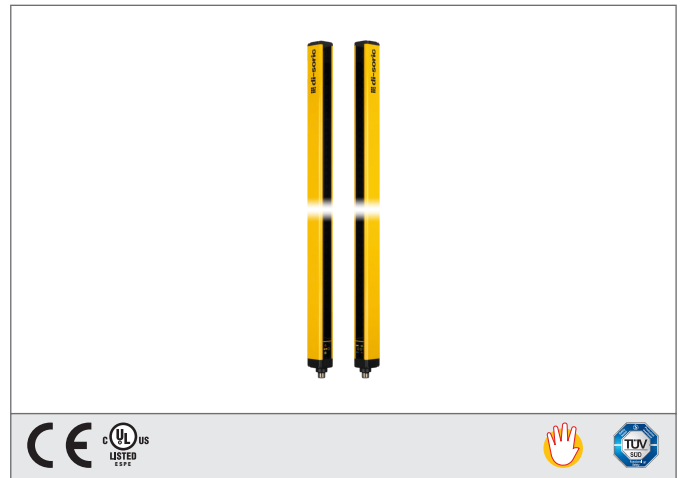


SLI4-1203

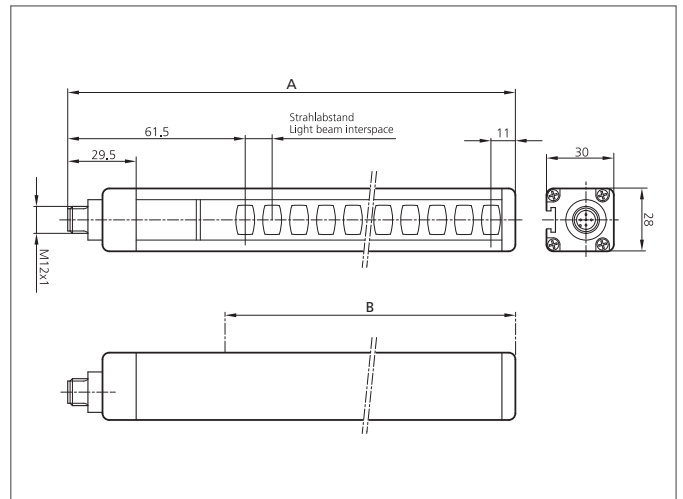
Safety light curtain

- Highest safety level
- Resolution for hand protection
- Protection area until end of profile
- Integrated safety function - no external safety relay required
- Parameterisation via connecting cable
- Selectable manual or automatic Start/Restart
- Feedpack input for external relay monitoring (EDM)
- Unshielded connecting cables to 100 m
- High protection class



Safety instructions

All the installation, connection and safety regulations, as per our technical information, have to be strictly adhered to. The set-up of the products have to be made by skilled staff, only. Repair exclusively made by di-soric.



| TECHNICAL INFORMATION (typ.) | | +20°C, 24 V DC |
|----------------------------------|--|---|
| Safety level | | Type 4 (IEC/TS 61496-2), SIL 3 (IEC 61508), SILCL 3 (IEC 62061), PL e - Cat. 4 (EN ISO 13849-1) |
| Security level | | Hand detection |
| Total height (A) | | 1.263 mm |
| Protective field height (B) | | 1.210 mm |
| Model | | built-in control functions (EDM) |
| Mounting | | T-shaped slot (Backside), / Holder SFB E 180 (optional) |
| Number of beams | | 61 |
| Emitted light | | Infrared, 950 nm |
| Safety output | | PNP (2x), 400 mA / 24 V DC |
| Service voltage | | 19,2 ... 28,8 V DC |
| Operating distance | | 4 m (Low Range) / 12 m (High Range) |
| Resolution | | 30 mm |
| Inverse polarity protection | | Yes |
| Display | | LEDs for light curtain's status and diagnostic |
| Start / restart | | Automatic / manual (selectable) |
| External Device Monitoring - EDM | | Feedback input, enabling selectable |
| Short-circuit protection | | yes |
| Reaction time | | 15,5 ms |
| Ambient temperature | | -20 ... +55 °C |
| Protection class | | IP 65, IP 67 |
| Protection degree | | III, operation on protective low voltage |
| Casing material | | Aluminium |

SLI4-1203 Safety light curtain



| TECHNICAL INFORMATION (typ.) | +20°C, 24 V DC |
|-------------------------------------|---|
| Material | polycarbonate (Window) |
| Connection | M12, 5poled for transmitter, M12, 8poled for receiver, Connector |
| Cable | unshielded connection cables max. 100 m |
| Scope of delivery | Emitter + receiver, one set of standard fixing brackets SA 6, CD-ROM containing the multi-language instruction manual, quick installation guide |