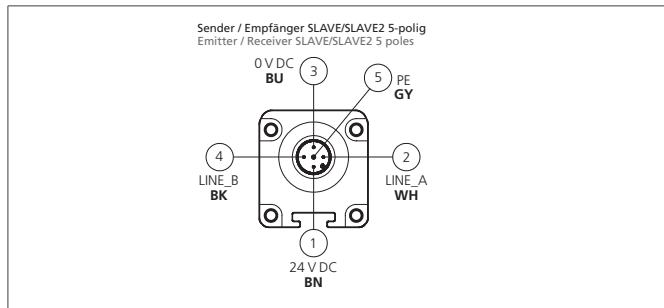
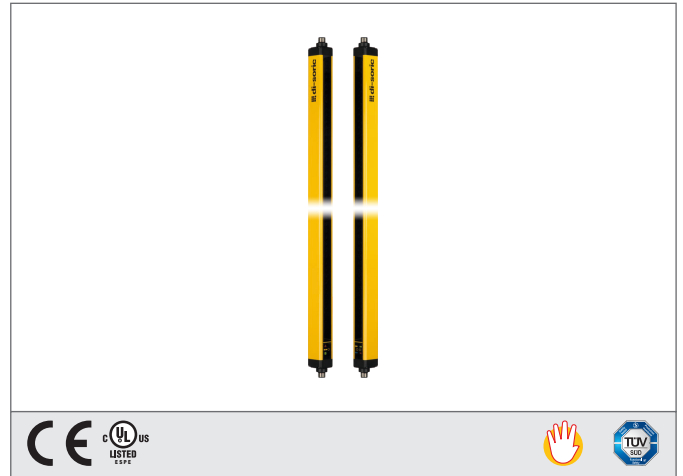


# SLI4-1504-S2

## Safety light curtain

- Highest safety level
- Resolution for hand protection
- Combination of different resolutions and protective field heights
- Up to three monitoring areas
- Only one safety module / two relays required for evaluation
- Simplified cabling via series connection
- Unshielded cable connections
- Cable connection Master / Slave 2 / Slave up to 50 m
- High protection class



### Safety instructions

All the installation, connection and safety regulations, as per our technical information, have to be strictly adhered to.  
The set-up of the products have to be made by skilled staff, only.  
Repair exclusively made by di-soric.



| TECHNICAL INFORMATION (typ.)        | +20°C, 24 V DC  |
|-------------------------------------|---|
| Safety level                        | Type 4 (IEC/TS 61496-2), SIL 3 (IEC 61508), SILCL 3 (IEC 62061), PL e - Cat. 4 (EN ISO 13849-1) |
| Security level                      | Hand detection  |
| Total height (A)                    | 1.587 mm  |
| Protective field height (B)         | 1.510 mm  |
| Model                               | built-in control functions (EDM), Slave 2   |
| Mounting                            | T-shaped slot (Backside), / Holder SFB E 180 (optional)   |
| Number of beams                     | 51  |
| Emitted light                       | Infrared, 950 nm  |
| Service voltage                     | 19,2 ... 28,8 V DC  |
| Operating distance                  | 4 m (Low Range) / 12 m (High Range)   |
| Resolution                          | 40 mm   |
| Inverse polarity protection         | Yes   |
| Display                             | LEDs for light curtain's status and diagnostic  |
| Short-circuit protection            | yes   |
| Reaction time                       | calculation formula   |
| Ambient temperature                 | -20 ... +55 °C  |
| Protection class                    | IP 65, IP 67  |
| Protection degree                   | III, operation on protective low voltage  |
| For                                 | Operating with Master and Slave   |
| Casing material                     | Aluminium   |
| Material                            | polycarbonate (Window)  |
| Connection Master / Slave 2 / Slave | Connector, M12, 5-poled for transmitter and receiver  |

## SLI4-1504-S2 Safety light curtain



| TECHNICAL INFORMATION (typ.) | +20°C, 24 V DC  |
|------------------------------|---|
| Cable                        | unshielded connecting cables Master / Slave 2 / Slave max. 50 m   |
| Scope of delivery            | Emitter + receiver, one set of standard fixing brackets SA 6, CD-ROM containing the multi-language instruction manual, quick installation guide |