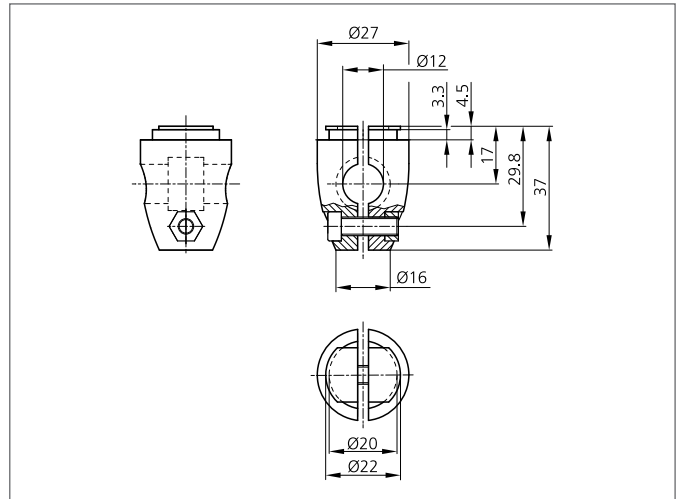
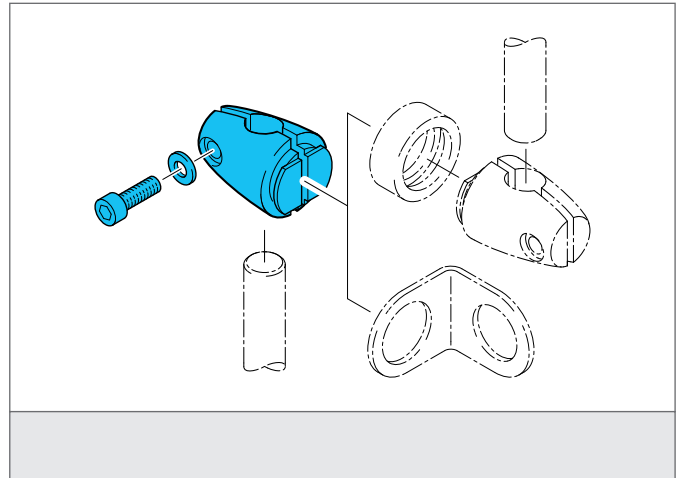


HS-KL-12-20-V

Clamping cylinder

- Highly flexible versatile mounting system
- All-purpose mounting
- Smooth adjustment
- Robust design



TECHNICAL INFORMATION (typ.)

Dimension	Ø 12,5 / Ø 20 mm (Diameter assembly tap/drilling)
Casing material	stainless steel V4A, (1.4404 / AISI 316L - 1.4571 / AISI 316Ti)
Product series	System holder HS