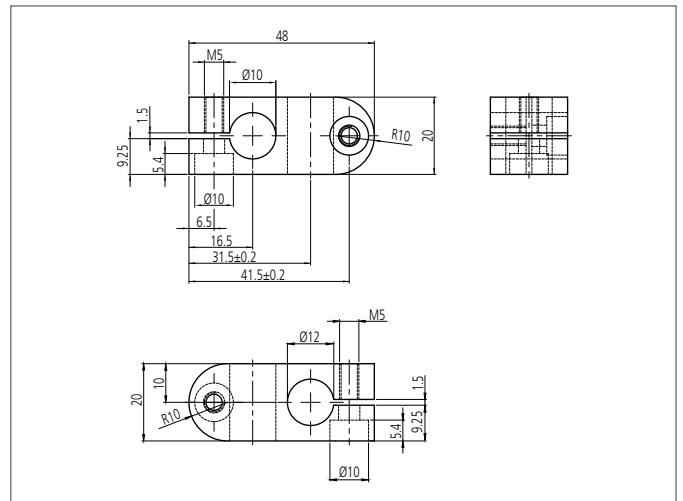
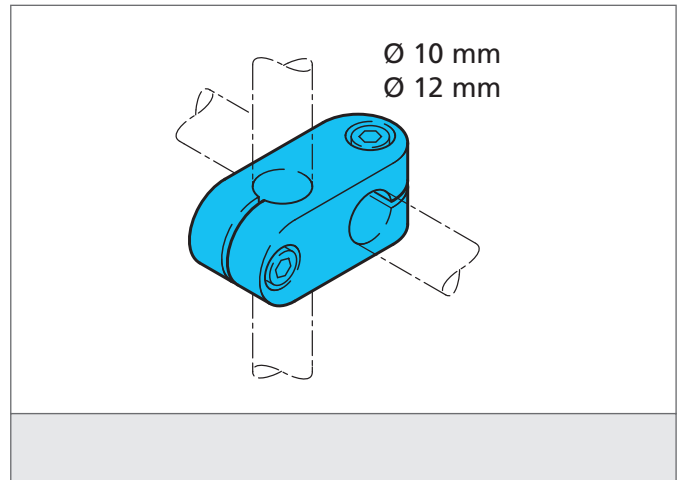


**HS-K-10-12-A**  
**Cross connector**

- Highly flexible versatile mounting system
- All-purpose mounting
- Smooth adjustment
- Robust design



TECHNICAL INFORMATION (typ.)	
Dimension	+20°C, 24V DC Ø 10 / Ø 12 mm (Diameter assembly tap/drilling)
Casing material	Aluminium
Product series	System holder HS