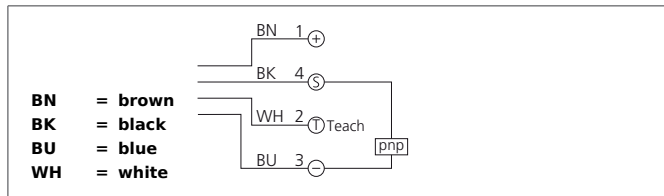


## UST 17 T 1500 P3-B4

### Ultrasonic sensor

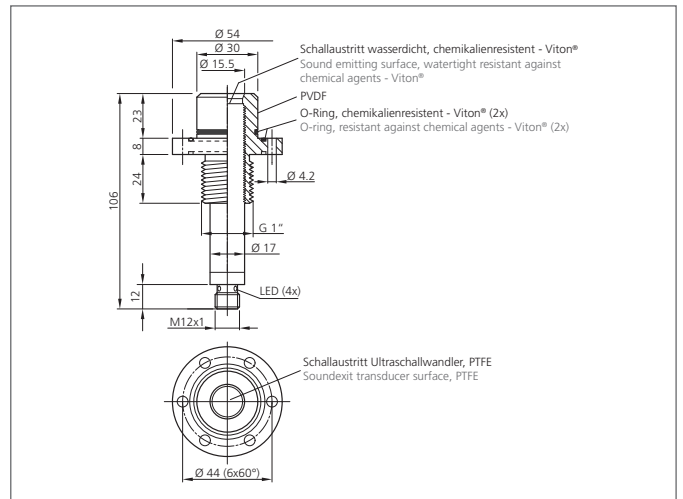
- Housing resistant against aggressive media and gases
- As a ultrasonic sensor or -barrier configurable
- Scanning range adjustable
- Insensitive to dirt
- Insensitive to ambient noise
- Scanning does not depend on surface
- High resolution



#### Safety instructions

The Instruments are not to be used for safety applications, in particular applications in which safety of persons depends on proper operation of the instruments.

These instruments shall exclusively be used by qualified personnel.



TECHNICAL INFORMATION (typ.)	+20°C, 24V DC
Operating principle	Ultrasonic sensor, Ultrasonic barrier
Evaluation	digital
Design	screw
Sound emitting surface	axial
Service voltage	11 ... 30 V DC
Internal power consumption	45 mA
Operating distance	1.500 mm
Adjustment range	120 ... 1.500 mm
Resolution	0.5 mm
Sensitivity adjustment	Remote teach
Switching output	pnp, 100 mA, NO/NC
Switching hysteresis	2 mm, axial
Operating frequency	180.000 Hz
Ripple	10 %
Switching frequency	5 Hz
Repeatability	2 % / Sn max.
Response-/release time	0,1 s
Ambient temperature	0 ... +60 °C
Temperature drift	stabilized
Insulation voltage endurance	500 V
Protection class	IP 67
Casing material	PVDF / brass, nickel plated
Material	PTFE (Transducer enclosure)

**UST 17 T 1500 P3-B4**  
**Ultrasonic sensor**



<b>TECHNICAL INFORMATION (typ.)</b>	<b>+20°C, 24V DC</b>
Connection	Connector, M12, 4-poled
Scope of delivery	2 x Viton O-rings