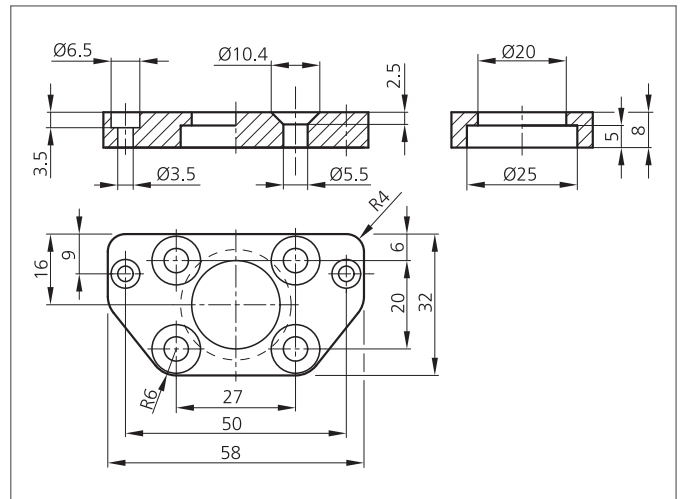
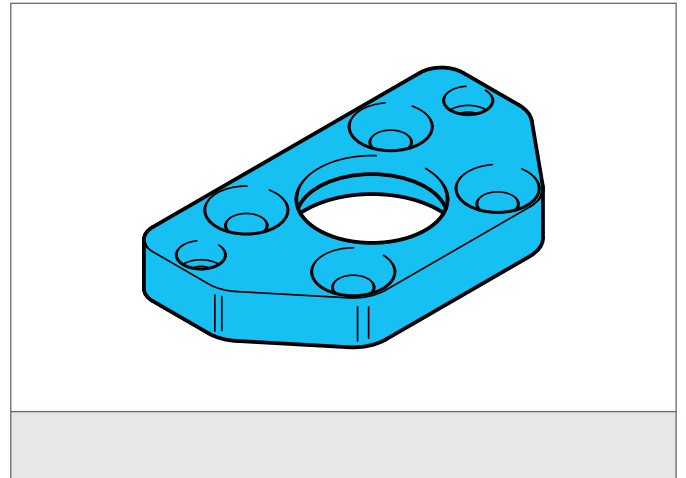


SH-G-BE Basic holder

- Highly flexible versatile mounting system
- All-purpose mounting
- Smooth adjustment
- Robust design



TECHNICAL INFORMATION (typ.)

Operation with
Casing material
Product series

+20°C, 24V DC

Clamping cylinder HS-KL-12-20-V

Aluminium black anodized

System holder HS, System holder SH