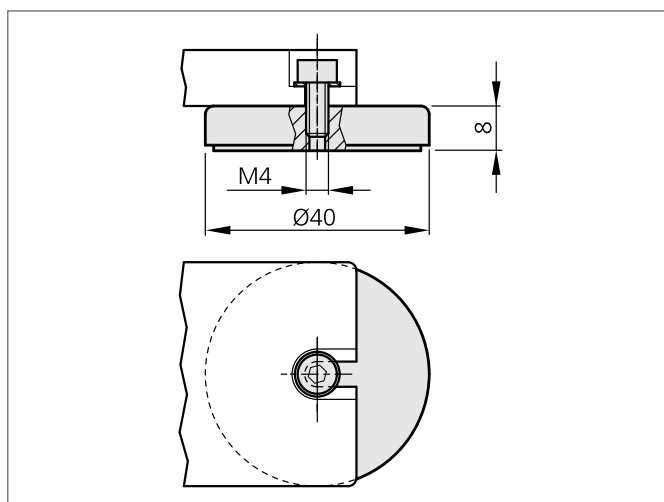
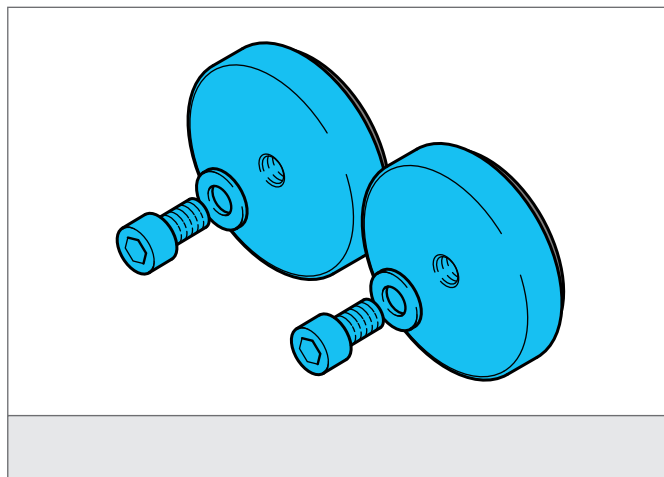


MB-MHS-2 Magnetic Holder Set

- Quick and easy fix and mounting
- Magnetic fastening
- Set consists of two magnetic holders and mounting material



TECHNICAL INFORMATION (typ.)		+20°C, 24V DC
Size		Ø 40 x 8 mm (Diameter) M4 (thread)
Design		cylinder
Characteristics		robust design
For		Machine illuminations MB-N ...
Casing material		metal
Fastening force		9,0 kg (2x)
Scope of delivery		2 Magnetic Holder, Fixing material