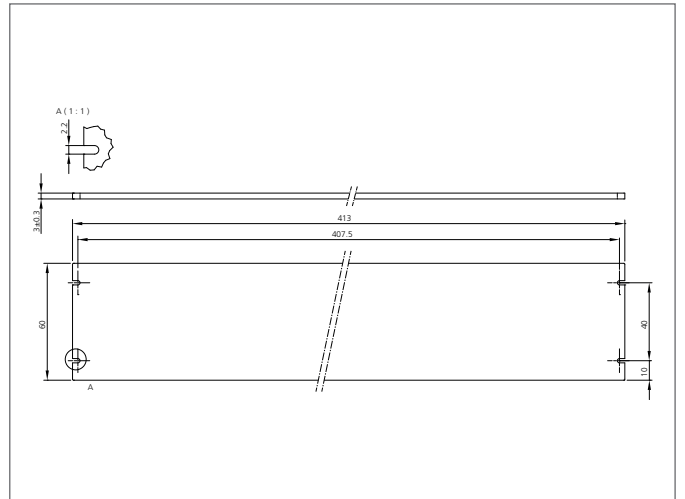
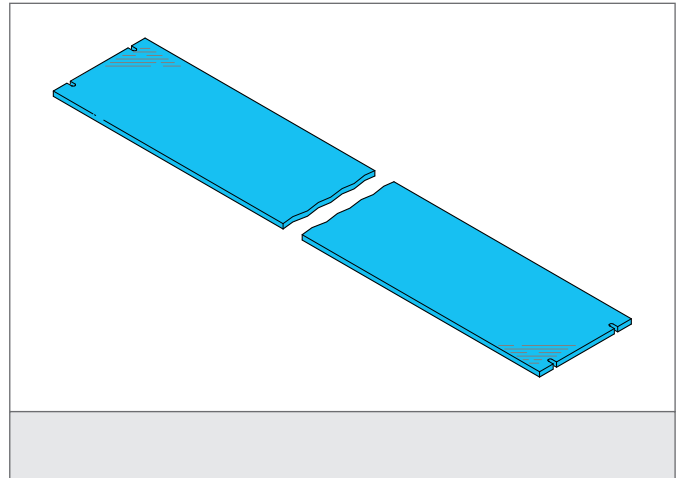


BEK-A400-DIF
Diffusor

- Diffusion filter
- Homogenous light reduction
- Quick and easy fix and mounting
- Scratch-proof protection window
- Mounting materials included in scope of delivery



| TECHNICAL INFORMATION (typ.) | |
|-------------------------------------|---|
| Characteristics | +20°C, 24V DC |
| For | Mounting hardware included |
| Material | Bar lights BE-A400..., Bar lights BEK-A400... |
| | PMMA, hardcoated (Window) |
| | |
| | |
| | |
| | |
| | |
| | |
| | |
| | |
| | |
| | |
| | |
| | |
| | |
| | |
| | |
| | |
| | |
| | |
| | |