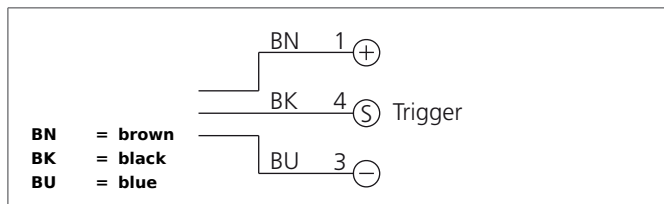


BEK-R33-E5T-K-BS

Ringlight

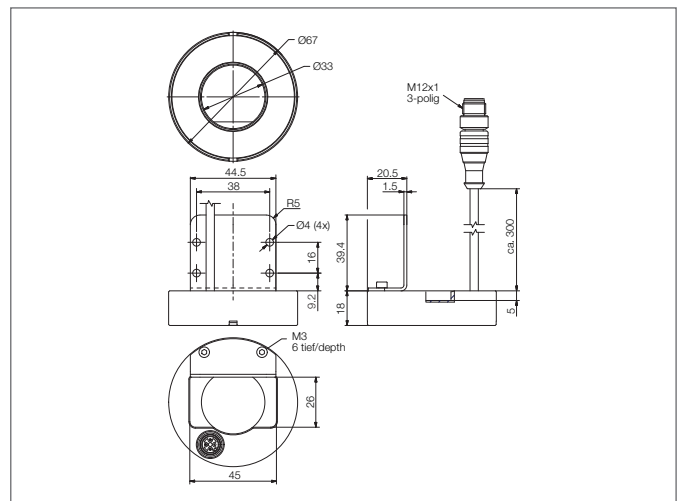
- High-performance flash with integrated flash controller
- Easy mounting on CS 50
- Focus optics and polarizer available as an option
- Y-cable (CS-Y...) available as an option for simple electrical mounting on CS 50
- Automatic trigger signal by Vision Sensor CS 50



Safety instructions

The Instruments are not to be used for safety applications, in particular applications in which safety of persons depends on proper operation of the instruments.

These instruments shall exclusively be used by qualified personnel.



TECHNICAL INFORMATION (typ.)	+20°C
Design	Ringlight
Light colour	White, 6000 K
Emission angle	80°
Illumination intensity	51 kLux (0,1 m), 7.100 Lux (0,3 m), 2.500 Lux (0,5 m)
Service voltage	22,8 ... 25,2 V DC
Internal power consumption	< 10 mA, (Standby), 950 mA, (Puls)
Trigger input low level	0 ... <2,8 V
Trigger input high level	> 3,3 ... 30 V
Cycle time	50 ms
Power	23 W (24 V)
Shock/vibration load	10 ... 55 Hz / 1,0 mm / 30 g
Inverse polarity protection	Yes
Ambient temperature	0 ... +40 °C
Protection class	IP 67
Protection degree	III, operation on protective low voltage
Risk group (DIN EN 62471)	Free group
Casing material	Aluminium black anodized
Material	PMMA, clear (Protection optics)
Connection	Cable 300 mm with connector M12, 3-poled
Frequency	20 Hz (max.)
Illumination time / pulse	2 ms