

O-C2-LDA-30-24

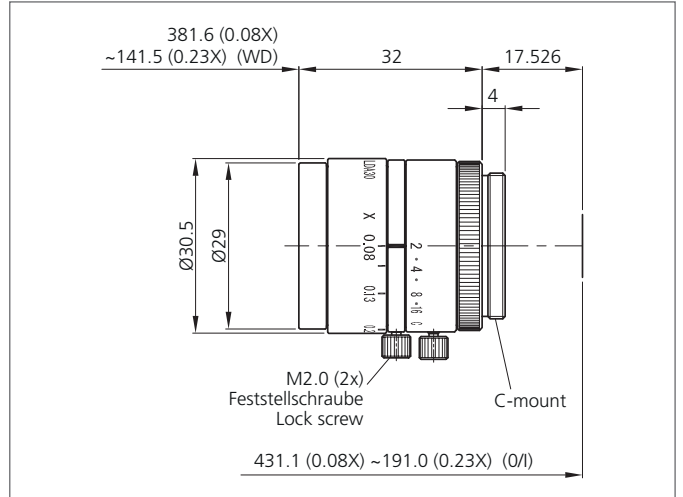
Lens

- Compact design
- Lock screws for focus and iris adjustment
- Standard resolution



Safety instructions

The Instruments are not to be used for safety applications, in particular applications in which safety of persons depends on proper operation of the instruments. These instruments shall exclusively be used by qualified personnel.



TECHNICAL INFORMATION (typ.)	+20°C
Resolution	2 to 5 megapixel
For	Vision Systems and ID Systems
Focal length	30 mm
Aperture (F)	2.4 - 2.8
Working distance WD	142 mm
Screw thread	C-Mount
Filter thread	M27 x 0.5
Sensor size	2/3"
Weight	47 g