

ID-05 Imager Series

Configuration Guide

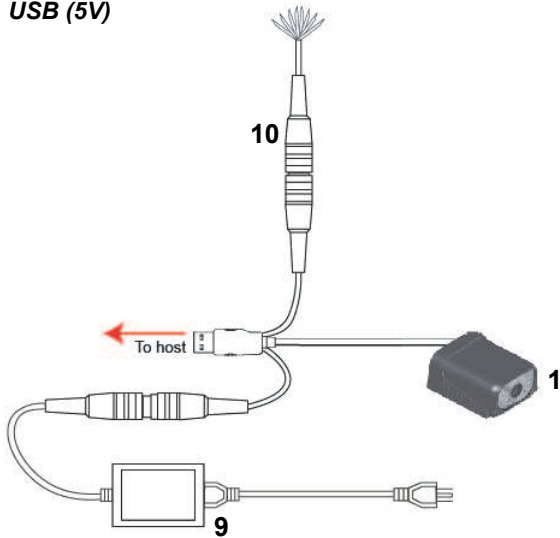


Hardware Required

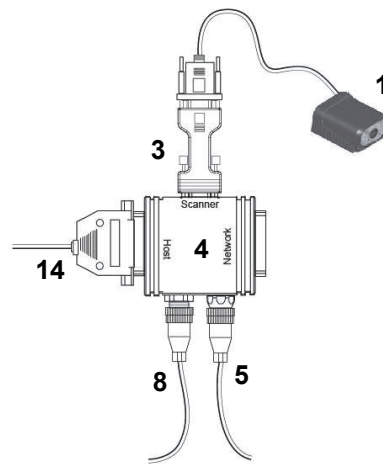
Item	Description	Part Number
1	ID-05 Series	ID-05-IMX-X-X
3	Voltage Converter (to 10-28V)	VSID-A-24/5V-S
4	Interface Box	VSID-IB-S
8	Power Supply (90-264 VAC, 24VDC, USA/Euro plug)	VSID-PS-IB
10	Breakout Cable (USB, Flying Leads, 3')	VSID-K-UIO-1
14	Communication Cable	VSID-K-25S/9K-2

Configurations

USB (5V)



Standalone (10-28V)



ID-05 Configuration

ID-05 Accessories

Communication and I/O Devices and Cables		
Power Converter	VSID-A-24/5V-S	Connects the reader to an VSID-IB-S interface device. Provides 5VDC power and optoisolation for the reader.
Interface Box	VSID-IB-S	Allows readers to be connected in a daisy chain.
Breakout Cable	VSID-K-UIO-1	USB, Flying Leads, 3' (914 mm)
Communication Cable	VSID-K-25S/9K-2	DB25 Plug to DB9 Socket, 6' (1829 mm)
Power Supply		
Power Supply	VSID-PS-IB	90-264 VAC, 24VDC, USA/Euro plug
Mounting Options		
Mounting Arm Kit	VS-MAIN-12-AV	An adjustable mounting arm with ball and socket connections that allow the arm to be positioned in almost any orientation.
Through-Hole Mount Bracket	VSID-BW-003	Allows the reader to be mounted to various surfaces.
Side Mount Bracket	VSID-BW-001	Allows the reader to be mounted at a 90° angle.
Right-Angle Mirror Kit	VSID-R90-001	Changes field of view direction by 90°.

Note: Additional accessories are available in the di-soric Product Pricing Catalog.