

**Presentation:** not coded; without mounting bracket

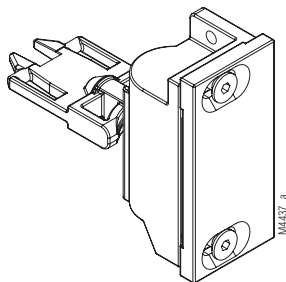
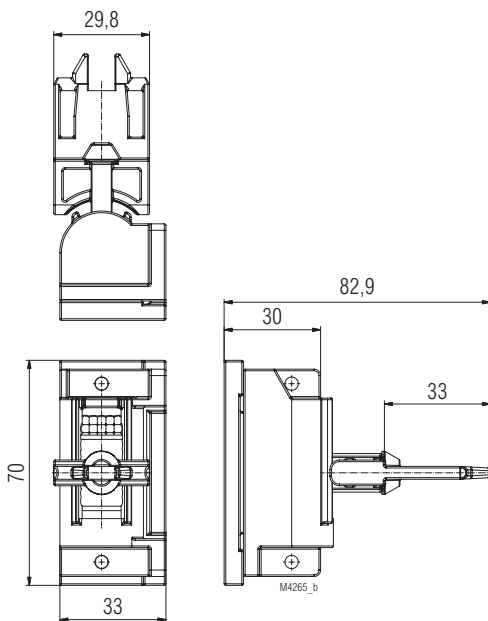
### STS-System Benefits

- EU-Test certificate according to the directive 2006/42/EG, annex IX
- For safety applications up to PLe/Category 4 according to EN/ISO 13849-1
- Modular and expandable system
- Rugged stainless steel design
- Wireless mechanical safeguarding
- Combines the benefits of safety switch, locking module and key transfer in a single system
- Easy installation through comprehensive accessories
- Protection against lock-in
- Coding level low, medium, high according to DIN EN ISO 14119:2014-03

### Features

- Actuator with 4 degrees of flexibility
- Mounting bracket included
- Retains its last position
- Can be coded
- Self-adjusting
- Simple manual setting
- Manual adjustment of vertical offset during operation up to 16 mm

### Dimensional Drawing [mm]



### Approvals and Marking



### Application

The self-adjusting actuator J is used in connection with the SAFEMASTER STS units which are equipped with integrated actuator modules A, B, D, E or K. Generally, it is fitted to the movable part of a separating guard and is used to switch the associated STS unit.

### Design and Operation

The self-adjusting actuator J is suitable for difficult applications where actuator C or a sliding bolt cannot be used. In addition to the self-adjustment the actuator J has the added advantage, compared to the actuator C, that it retains its last position when removed from the actuator module. By contrast, the actuator C springs back to its set position. 4 mounting holes are provided for fastening the actuator J. An installation bracket is included in the scope of delivery especially for applications with sliding doors.

### Notes

#### Attention!



Actuator J may not be used if there is a risk of overloading the associated STS unit through possible use of force!

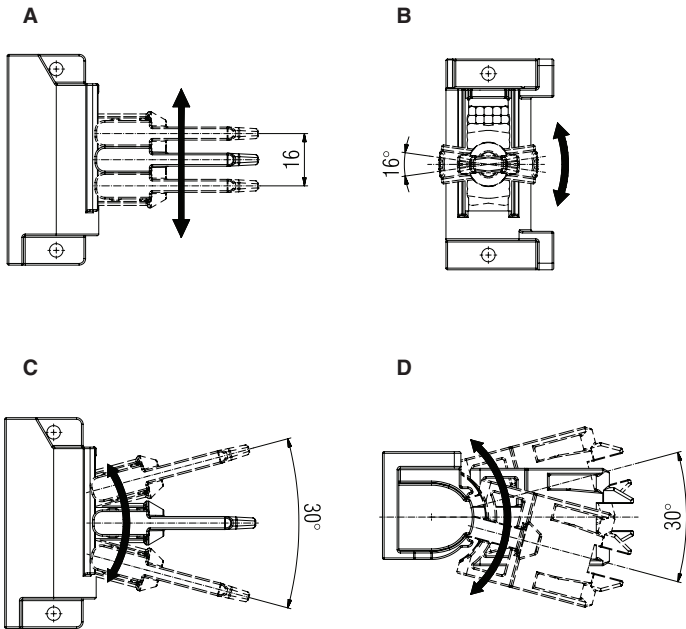
Such an example is a manually operated sliding door, the protection of which is achieved by an STS unit with a key module above the actuator module, for instance, SXB01M. If the door is closed here by force while the key is still removed, the actuator module B remains blocked. It may therefore sustain mechanical damage when slamming the door shut with force.

### Technical Data

#### Material

Actuator: Edeldstahl V4A / AISI 316

## Presentation of Degrees of Flexibility



Presentation without mounting bracket

### Optimal flexibility

Actuator STS-J has 4 degrees of flexibility. From its centre position it can be

- moved vertically by  $\pm 8$  mm (A)
- rotated around its longitudinal axis by up to  $\pm 8^\circ$  (B)
- swivelled vertically by  $\pm 15^\circ$  (C)
- swivelled horizontally by  $\pm 15^\circ$  (D)

## Variants and Accessories

The self-adjusting actuator STS-J is also available as coded version. The product designation of the J-actuator then becomes JK-actuator. Coding level low, medium, high according to DIN EN ISO 14119:2014-03

Refer to the customer information for additional details on selecting the actuator.

## Ordering Designation

Actuator STS-J  
Article number: 0062732