

# Technical Information

## Gamma Modulator FHG65

## Synchronizer FHG66

### Radiometric Measurement



## Effective Suppression of Background Radiation and Extraneous Radiation at the Gammapilot M FMG60

### Application

- **Gamma Modulator FHG65**  
Improving the measurement results of radioactive measurement through the effective suppression of background radiation and extraneous radiation (e.g. from nondestructive material testing) at the Gammapilot FMG60
- **Synchronizer FHG66**  
Synchronization of an unlimited number of Gamma Modulators FHG65 and operating status display for easy diagnosis of the modulators FHG65.

### Your benefits

- Unhindered measurement with Gammapilot M FMG60 in the event of
  - Interference radiation from nondestructive material testing up to 50  $\mu\text{Sv/h}$
  - Fluctuating background radiation
- Easy integration into existing systems
- No maintenance required
- Easy installation in conjunction with FQG61/62 source containers





## Table of contents

<b>Document information</b> .....	<b>3</b>
Symbols .....	3
<b>Function and system design</b> .....	<b>4</b>
System Design .....	4
System requirements at Gammapilot M FMG60 .....	4
Gamma Modulator FHG65 .....	4
Synchronizer FHG66 .....	5
Cascading multiple Synchronizers FHG66 .....	6
<b>Gamma Modulator FHG65</b> .....	<b>7</b>
Technical data .....	7
Electrical connection .....	9
Installation .....	10
Mounting multiple Gamma Modulators FHG65 .....	11
Mounting at diagonally irradiated pipes .....	12
Water cooling .....	12
Mechanical construction .....	13
Ordering information .....	16
<b>Synchronizer FHG66</b> .....	<b>17</b>
Technical data .....	17
Electrical connection .....	19
Installation .....	20
Mechanical construction .....	21
Human interface .....	22
Ordering information .....	23
<b>Certificates and approvals</b> .....	<b>24</b>
CE mark .....	24
Explosion protection .....	24
Other approvals .....	24
Overspill protection .....	24
Other standards and guidelines .....	24
<b>Documentation</b> .....	<b>24</b>
Gamma Modulator FHG65, Synchronizer FHG66 .....	24
FQG61/FQG62 source containers .....	24
Gamma emitter FSG60/FSG61 .....	24
Gammapilot M FMG60 .....	24


## Document information

### Symbols




#### Safety symbols

Symbol	Meaning
 <small>A0011189-DE</small>	<b>DANGER!</b> This symbol alerts you to a dangerous situation. Failure to avoid this situation will result in serious or fatal injury.
 <small>A0011190-DE</small>	<b>WARNING!</b> This symbol alerts you to a dangerous situation. Failure to avoid this situation can result in serious or fatal injury.
 <small>A0011191-DE</small>	<b>CAUTION!</b> This symbol alerts you to a dangerous situation. Failure to avoid this situation can result in minor or medium injury.
 <small>A0011192-DE</small>	<b>NOTICE!</b> This symbol contains information on procedures and other facts which do not result in personal injury.



#### Electrical symbols

Symbol	Meaning
 <small>A0018339</small>	<b>Protective ground connection</b> A terminal which must be connected to ground prior to establishing any other connections.

#### Symbols for certain types of information

Symbol	Meaning
 <small>A0011182</small>	<b>Allowed</b> Indicates procedures, processes or actions that are allowed.
 <small>A0011184</small>	<b>Forbidden</b> Indicates procedures, processes or actions that are forbidden.
 <small>A0015484</small>	<b>Reference to page</b> Refers to the corresponding page number.

#### Symbols in graphics

Symbol	Meaning
1, 2, 3, 4, ...	Item numbers
1., 2., ...	Series of steps
A, B, C, D, ...	Views
 <small>A0011187</small>	<b>Hazardous area</b> Indicates a hazardous area.
 <small>A0011188</small>	<b>Safe area (non-hazardous area)</b> Indicates a non-hazardous location.

## Function and system design

### System Design

A measuring point with the Gamma Modulator FHG65 consists of the following components:

- Gamma Modulator FHG65
- Gammapilot M FMG60
- Radiation Source Container FQG61 or FQG62
- Radiation source  $^{137}\text{Cs}$  or  $^{60}\text{Co}$
- If multiple Gamma Modulators are used or to diagnose: Synchronizer FHG66

### System requirements at Gammapilot M FMG60

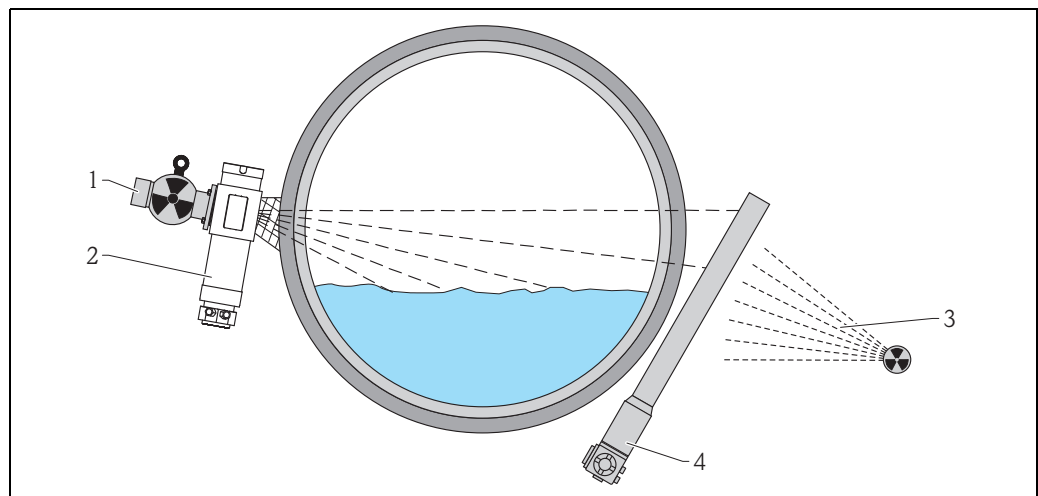
In order to be able to evaluate the signal created by the Gamma Modulator FHG65, the Gammapilot M FMG60 must be equipped with at least one of the following software versions:

- HART electronics
  - For SIL devices of short level limit detectors (200 mm or 400 mm): SW 01.02.02 or higher
  - For all other device types: SW 01.03.02 or higher
- PROFIBUS PA electronics
  - SW 01.03.02 or higher
- FOUNDATION Fieldbus electronics
  - SW 01.03.02 or higher

### Gamma Modulator FHG65

In a radiometric measuring point with Gammapilot FMG60, the Gamma Modulator FHG65 is mounted in front of the radiation exit channel of the source container. It contains a shaft slotted along the longitudinal axis. This shaft rotates continuously and alternately screens off the gamma beam at a frequency of 1 Hz or allows it through.

Due to this frequency, the useful beam differs from fluctuating ambient interference radiation and from interference radiation occurring sporadically (e.g. from nondestructive material testing). Using a frequency filter, the Gammapilot M FMG60 can thus separate the useful signal from interference radiation. In this way, it is possible to continue measuring even if interference radiation occurs, which, in turn, increases the measuring certainty and system availability.



- A0018245
- 1 FQG61, FQG62
  - 2 FHG65
  - 3 Interference radiation
  - 4 Gammapilot M FMG60

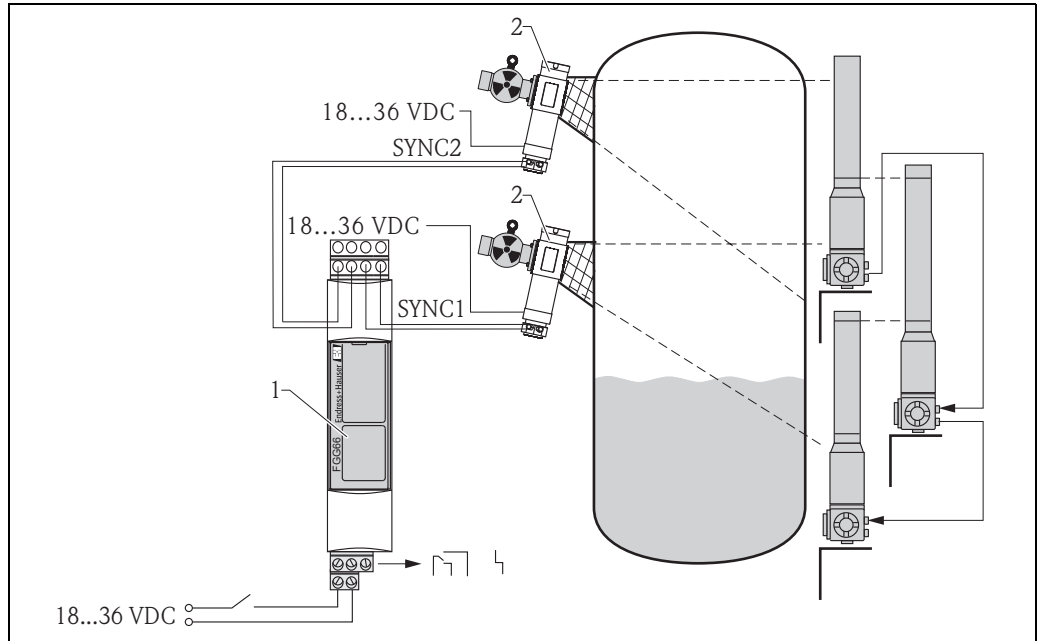
### NOTICE

The Gamma Modulator FHG65 and the Gammapilot M FMG60 are not interconnected electrically. When commissioning the Gammapilot FMG60, the "beam type" (\*02) parameter must be set to "modulated".

**Synchronizer FHG66**

In a measuring point with multiple radiation sources, a Gamma Modulator FHG65 has to be mounted on every source container. The Synchronizer FHG66 synchronizes the individual modulators to common mode. A Synchronizer FHG66 can synchronize up to three Gamma Modulators FHG65. (For more than 3 modulators refer to → 6)

In addition, the Synchronizer offers a straightforward diagnostic solution for the connected FHG65 modulators, which is also of benefit when only one FHG65 modulator is in operation.



A0018540

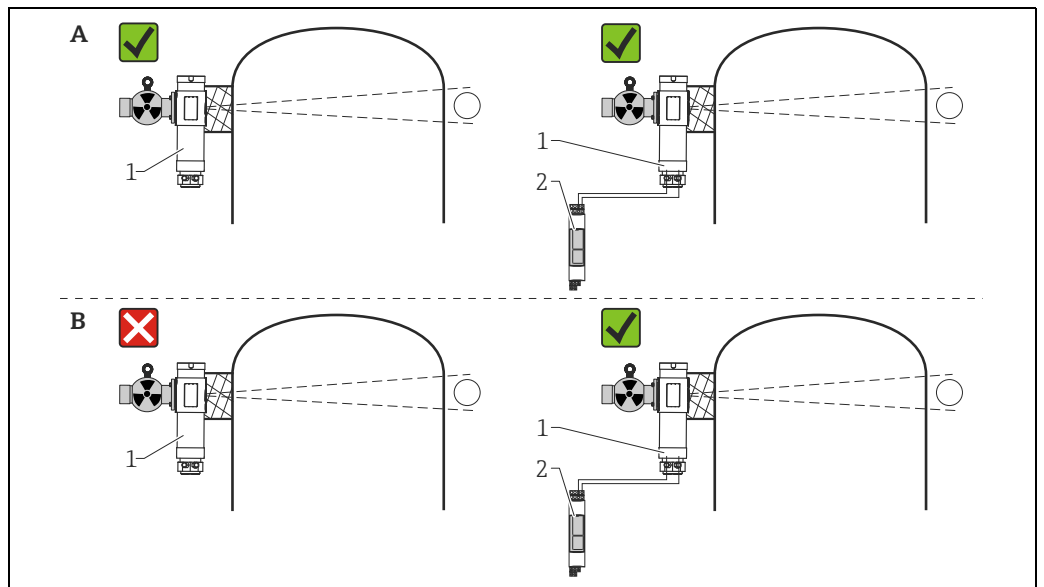
- 1 FHG66
- 2 FHG65

**NOTICE**

It is recommended to install the switch for the supply voltage in the proximity of the instrument and to mark it as a disconnecter for the instrument.

**NOTICE**

For minimum point level detection, use of the FHG66 Synchronizer, in particular of its alarm output, is recommended due to the fact that an undetected error in the FHG65 modulator may result in faulty switching behavior.



A0021133

- A Maximum point level detection
- B Minimum point level detection
- 1 FHG65
- 2 FHG66



## Gamma Modulator FHG65

### Technical data

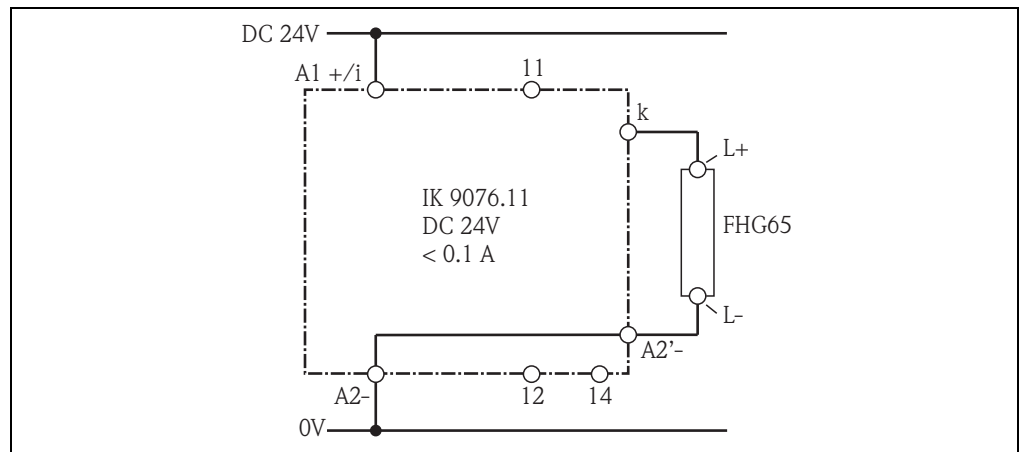
#### Power supply

Supply voltage	18 to 36 VDC
Power consumption	3.2 W
Overtoltage category	II
Protection class	1
Potential equalization	Present

#### Alarm output

The Gamma Modulator FHG65 does not have an alarm output of its own. Errors are indicated in the following way:

- If a Synchronizer FHG66 is connected:  
The error is reported via the synchronization terminals to the Synchronizer FHG66. The alarm relay of the FHG66 indicates the error.
- If no Synchronizer FHG66 is connected:  
In the case of an error, the FHG65 switches its motor off. This reduces the current consumption to less than 30 mA, which can be detected and indicated by an external current monitoring device (e.g. Dold IK9076.11, DC24V, < 0.1 A).



A0018539

#### Environment

Ambient temperature range	<ul style="list-style-type: none"> <li>■ Without water cooling: -40 to +60 °C (-40 to +140 °F)</li> <li>■ With water cooling: <ul style="list-style-type: none"> <li>- at the water cooling jacket: 0 to +120 °C (32 °F to +248 °F)</li> <li>- at the terminal housing: max. +75 °C (+167 °F)</li> </ul> </li> </ul>
Storage temperature	-40 to +75 °C (-40 to +167 °F)
Housing degree of protection	IP66/67; TYPE 4X/6
Climate class	DIN EN 60068-2-38 examination Z/AD
Vibration resistance	DIN EN 60068-2-64 test Fh; 10 to 2000 Hz, 1 (m/s <sup>2</sup> ) <sup>2</sup> /Hz
Shock resistance	DIN EN 60068-2-27; test Ea; 30 g, 18 ms, 3 shocks/direction/axis
Electromagnetic compatibility	Interference emission to EN 61326, Appendix A (Industrial) and NAMUR Recommendation NE21

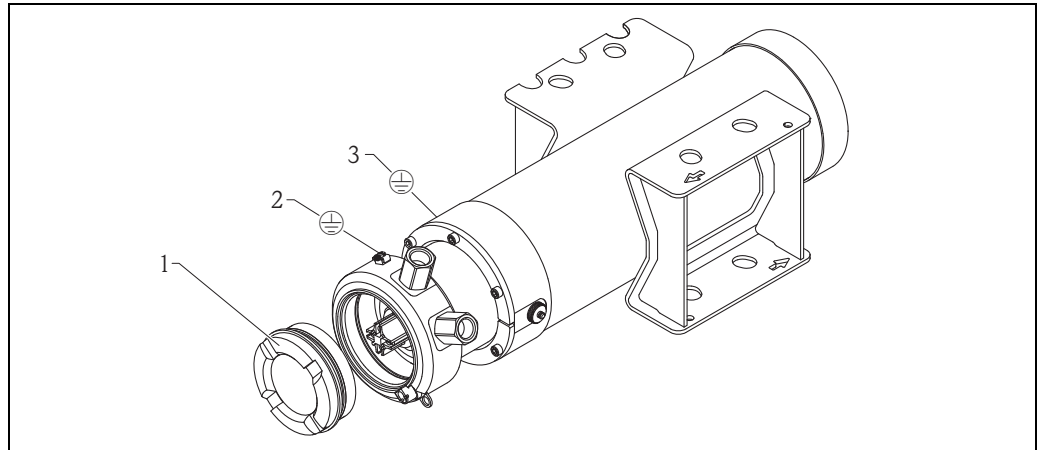
**Interference suppression**Max. 10  $\mu\text{S/h}$  per 1000 mm (39.4 in) measuring length

Measuring range [mm (in)]	Maximum interference suppression [ $\mu\text{Sv/h}$ ]
200 (7.87)	50
800 (31.5)	12.5
2000 (78.7)	5
10000 (394) - cascading	1



Electrical connection

Connection compartment



- 1 Cover of the connection compartment
- 2 Ground terminal of the modulator
- 3 Ground terminal of the water cooling jacket

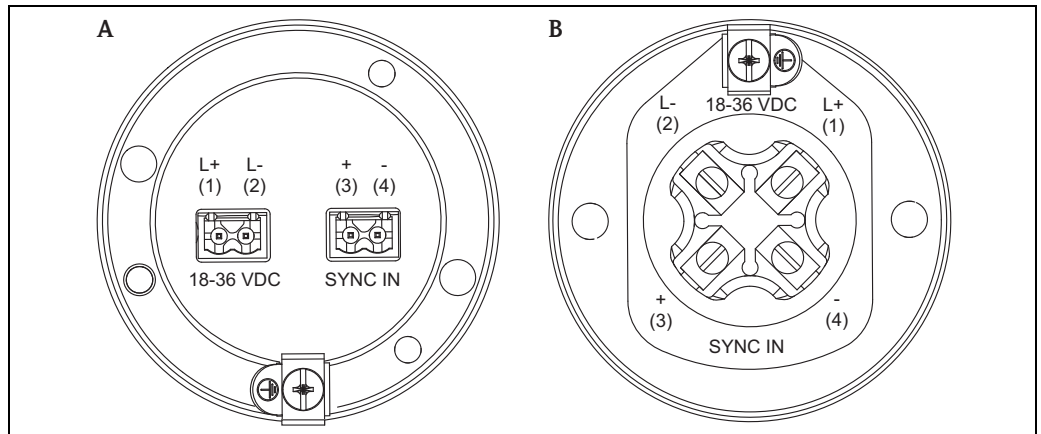
A0018536

Cable entries

2 cable entries (for supply voltage and synchronization connection). Versions:

- M20 gland
- M20 thread
- G ½ thread
- NPT ½ thread

Terminal assignment



- A Ex d, Ex t, non-Ex - version
- B Ex de - version

A0018538

Terminal	Name	Meaning
1	L+	Supply voltage; 18 to 36 VDC
2	L-	
3	SYNC +	Synchronization connection (to connect the Synchronizer FHG66) 12 VDC, 5 mA
4	SYNC -	

- Install a circuit breaker in the supply line.
- Use wires of  $\geq 0.5 \text{ mm}^2$  (20 AWG) cross section.
- The flag of the ground connector has to be mounted in the direction indicated in the figure.

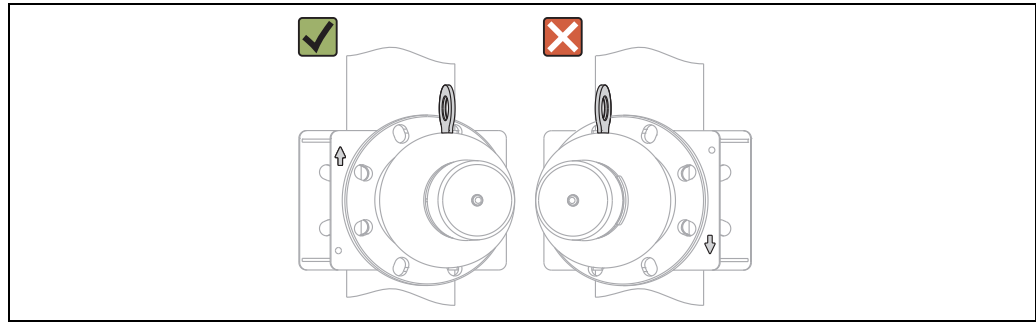
## Installation

### General installation conditions

- The Gamma Modulator FHG65 is mounted directly on the mounting flange of the FQG61 or FQG62 source container.<sup>1)</sup>

#### **⚠ CAUTION**

It is absolutely essential to ensure the device is oriented correctly when mounting since the radiation exit channel is not located in the middle of the source container. The arrow on the mounting plate of the Gamma Modulator must point in the direction of the transporting lug of the source container. Measurement is not possible otherwise.



A0018532

- The source container together with the Gamma Modulator must be mounted as close as possible to the tank or measuring tube.
- The unit must be mounted on a low-vibration construction.
- Use at least 4 threaded bolts (M16);  
Torque:
  - Steel: 210 Nm (154.88 lbf ft)
  - Stainless Steel: 144 Nm (106.20 lbf ft)
- When mounting, attention must be paid to the total weight consisting of the source container and Gamma Modulator FHG65. Ensure sufficient stability is guaranteed. Where necessary, an additional support must be provided.
- After mounting, the local dose rate in the vicinity of the source container and the Gamma Modulator must be measured. Any control zones must be cordoned off, see TI00435F/00/EN (FQG61/FQG62)
- Through to the use of the Modulator the effective useful horizontal radiation beam angle is reduced from 6° to 2°.
  - ▶ Please check if detector is completely covered by the radiation beam.

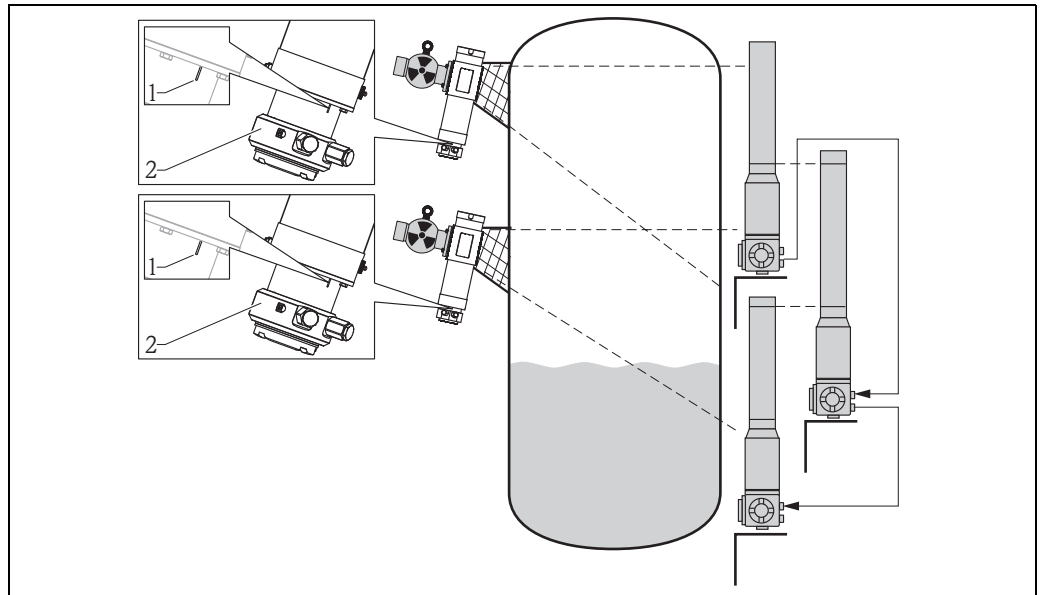
1) For applications with the QG2000 source container: please contact your local Endress+Hauser sales office.

**Mounting multiple  
Gamma Modulators FHG65**

If multiple Gamma Modulators FHG65 are used in a measuring point, they have to run synchronically. The Synchronizer FHG66 is used for this purpose.

**NOTICE**

The synchronization requires that all the Gamma Modulators FHG65 be aligned the same. A mark is provided at the top of the Gamma Modulator FHG65 to align the units. This mark must be aligned in the same way relative to the source container on all the participating Gamma Modulators FHG65.

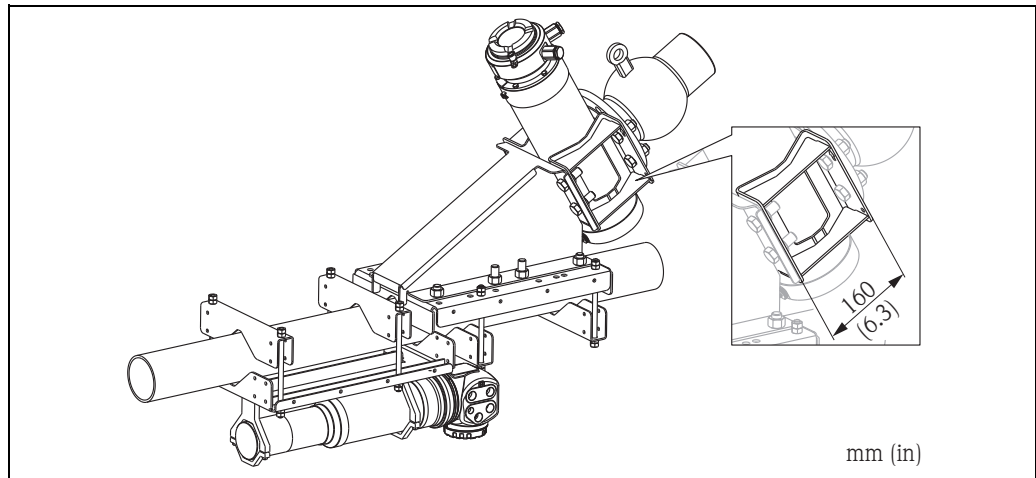


- 1 Marking for aligning multiple Gamma Modulators  
This mark must be aligned in the same way relative to the source container on all the Gamma Modulators in a measuring point.
- 2 FHG65

A0018533

**Mounting at diagonally irradiated pipes**

With diagonally irradiated pipes the clamping device FHG61 must be used for mounting. For details see Mounting Instructions KA00261F/00/A2.

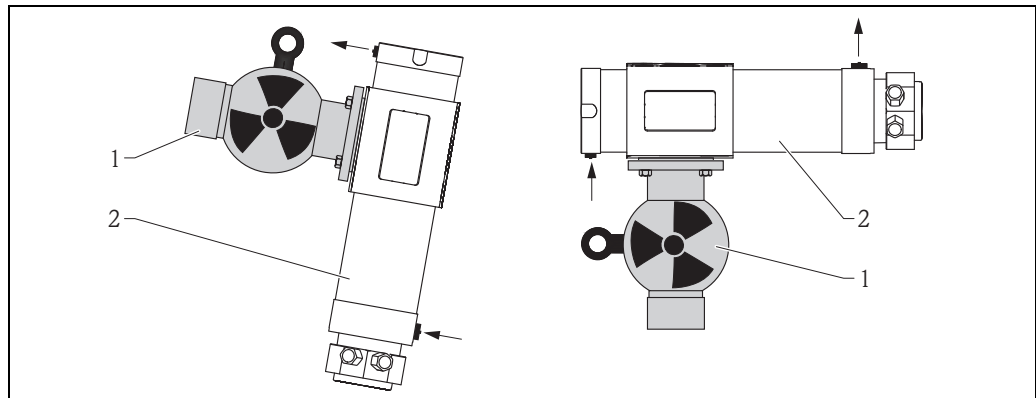


A0018534

**Water cooling**

The following applies to the FMG60 Gamma Modulator with water cooling:

- Material: 316L and 304
- Water connection: 2 x G 1/4"A, DIN ISO 228
- Return temperature: max. 40 °C (104 °F); temperature monitoring recommended
- Water pressure: 4 to 6 bar (58 to 87 psi)
- Water flow rate: min. 60 l/h
- Drain sensor with cooling tube or protect against freezing.



A0018535

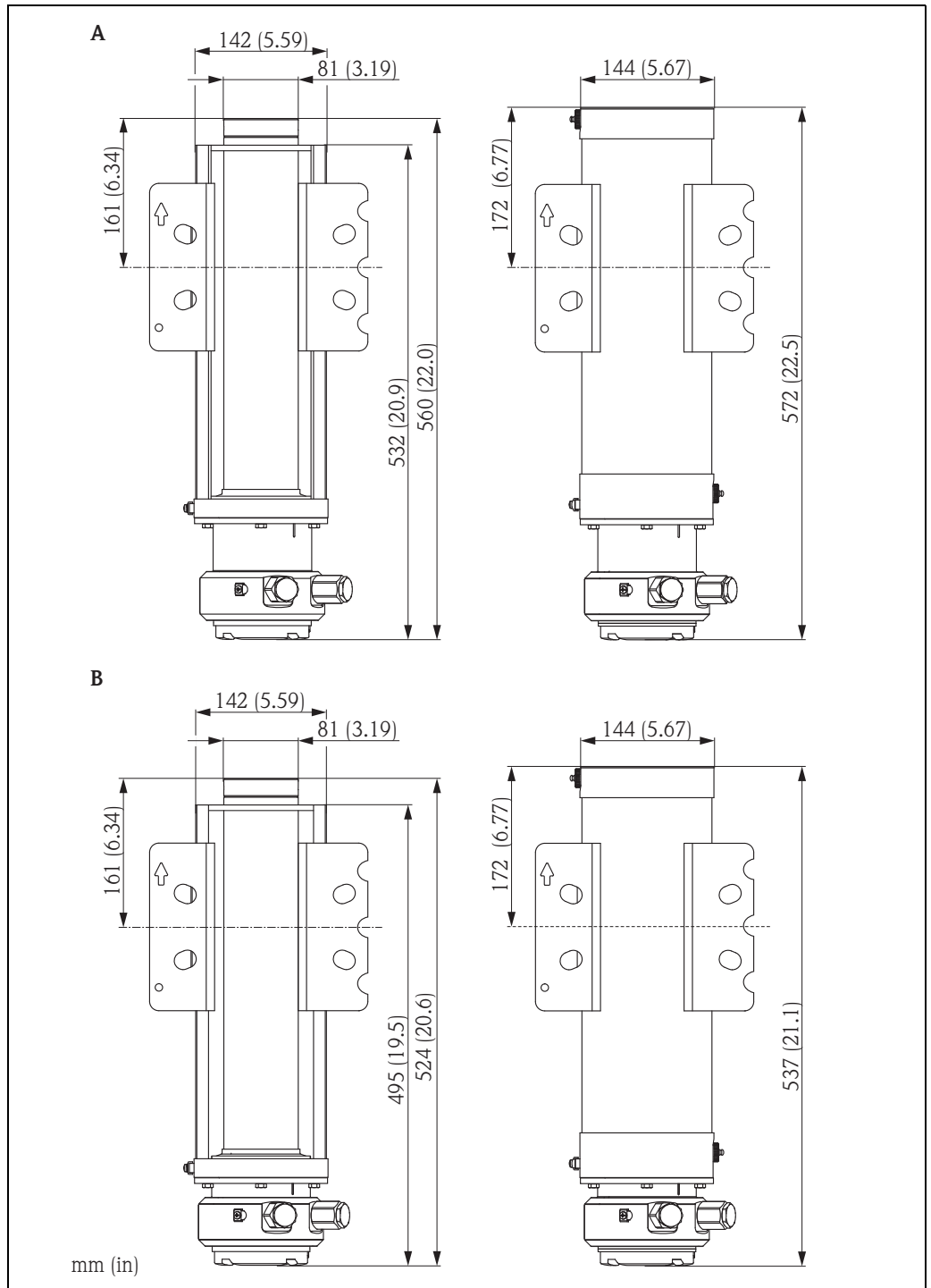
- 1 FQG61, FQG62  
2 FHG65

**⚠ CAUTION**

The water must always be let in from the bottom to ensure that the water jacket is completely filled.

Mechanical construction

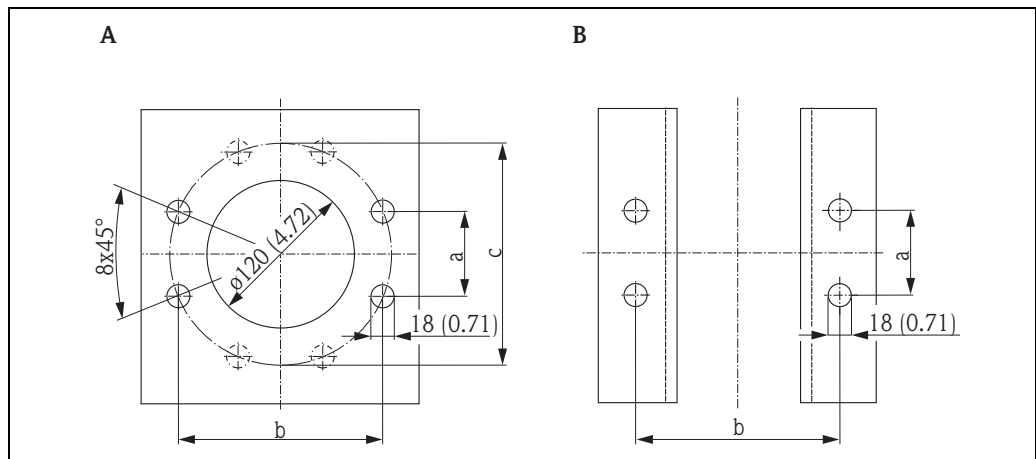
Dimensions Gamma Modulator



A Ex de - version (left: without water jacket; right: with water jacket)  
 B Ex d, Ex t, non-Ex - version (left: without water jacket; right: with water jacket)

A0018530

Examples of mounting brackets (supplied by customer)



A Mounting plate (Bolt circle according to DN 100 PN 16 or ANSI 4" 150 psi)  
 B L profile

A0018531

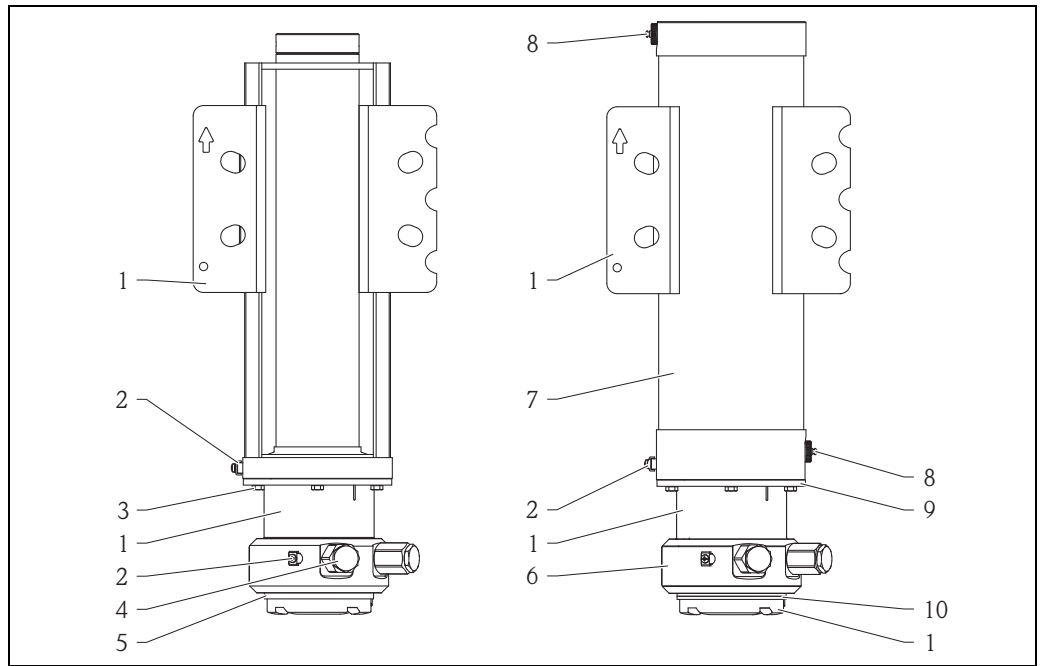
### Weight

- Without water cooling jacket: max. 18 kg (39.69 lbs)
- With water cooling jacket (empty): max. 21 kg (46.31 lbs)
- With water cooling jacket (full): max. 25 kg (55.13 lbs)

### Durability of the bearings

36 years at maximum load in continuous operation.

**Material**



A0018555

Number	Part	Material
1	Housing	304 (1.4301)
2	Ground terminal	316Ti (1.4571); 304 (1.4301); A2 ; A4
3	Screws	A2-70
4	O-ring	FKM 70
5	Cable entry	see table below
6	Nameplate and grooved pins	304 (1.4301); A2
7	Water cooling jacket	316L (1.4404)
8	Cooling water connection	PA66
9	O-ring	FKM 70
10	Safety pin for the lid	304 (1.4301); 1.4581 ; A2

*Material of cable entry and seal*

Feature 040: "Cable entry, power supply"	316L (1.4404/1.4435)	12L13 (1.0718)	304 (1.4301)	MS	EPDM70+PTFE
A: M20 gland	✓	✓		✓	✓
B: M20 thread	✓	✓			✓
C: G 1/2 thread	✓	✓	✓		✓
D: NPT 1/2 thread		✓	✓		✓

**Ordering information**

Detailed ordering information is available from the following sources:

- In the Product Configuration on the Endress+Hauser website: [www.endress.com](http://www.endress.com) → Select country → Instruments → Select device → Product page function: Configure this product
- From your Endress+Hauser Sales Center: [www.endress.com/worldwide](http://www.endress.com/worldwide)

**Product Configurator - the tool for individual product configuration**

- Up-to-the-minute configuration data
- Depending on the device: Direct input of measuring point-specific information such as measuring range or operating language
- Automatic verification of exclusion criteria
- Automatic creation of the order code and its breakdown in PDF or Excel output format
- Ability to order directly in the Endress+Hauser Online Shop



## Synchronizer FHG66

### Technical data

#### Input

##### *Cascading input*

- For connection of an additional Synchronizer FHG66
- Galvanically isolated from power supply and output
- Connecting cable: twin-core; shielding not required (apart from in the event of strong electromagnetic interference)
- Cable requirements:
  - Max. capacitance: 120 nF
  - Max. resistance 1000  $\Omega$
  - Max. inductance: 0.65 mH
  - Cable: not shielded/not twisted
- Signal transmission: closed current loop with 0 to 5 mA, max. 12 V

#### Output

##### *Alarm relay*

Type	Floating changeover contact
Switching delay	0 to 3 s
Switching capacity	<ul style="list-style-type: none"> <li>■ U~ maximum 250V</li> <li>■ I~ maximum 2 A</li> <li>■ P~ maximum 500 VA at <math>\cos\phi \geq 0.7</math></li> <li>■ U- maximum 40 V</li> <li>■ I- maximum 2 A</li> <li>■ P- maximum 80 W</li> </ul>
Operating life	Min. $10^5$ switching cycles with maximum contact load
Function indicator	Light emitting diodes for operation, faults and error assignment; device detects and reports errors in the configuration and in the connected devices
Overvoltage category	II
Protection class	2 (double/reinforced insulation)

##### *Signal on alarm*

- Fault indicated by red LED
- Fault assigned by yellow LEDs
- Alarm relay deenergized

#### Power supply

Supply voltage	18 to 36 VDC (power supply with safe isolation required)
Power consumption	$\leq 1$ W
Overvoltage category	II
Protection class	2
Contamination level	2

**Environment**

Ambient temperature range	<ul style="list-style-type: none"> <li>■ Mounted individually: -20 to +60 °C (-4 to +140 °F)</li> <li>■ Mounted in a row without lateral spacing: -20 to +50 °C (-4 to +122 °F)</li> <li>■ When installed in protective housing: -20 to +40 °C (-4 to +104 °F)</li> </ul>
Storage temperature	-20 to +85 °C (-4 to +185 °F) (preferably at 20 °C (68 °F))
Climate and mechanical application class	<ul style="list-style-type: none"> <li>■ 3C3 in accordance with DIN EN 60721-3-3</li> <li>■ 3M2 in accordance with DIN EN 60721-3-3</li> </ul>
Degree of protection	IP20 Mechanical degree of protection IK06 (1J) according to IEC 62262
Electromagnetic compatibility	<ul style="list-style-type: none"> <li>■ Interference emission to EN 61326, class B equipment</li> <li>■ Interference immunity to EN 61326, Appendix A (Industrial) and NAMUR Recommendation NE 21</li> </ul>

## Electrical connection

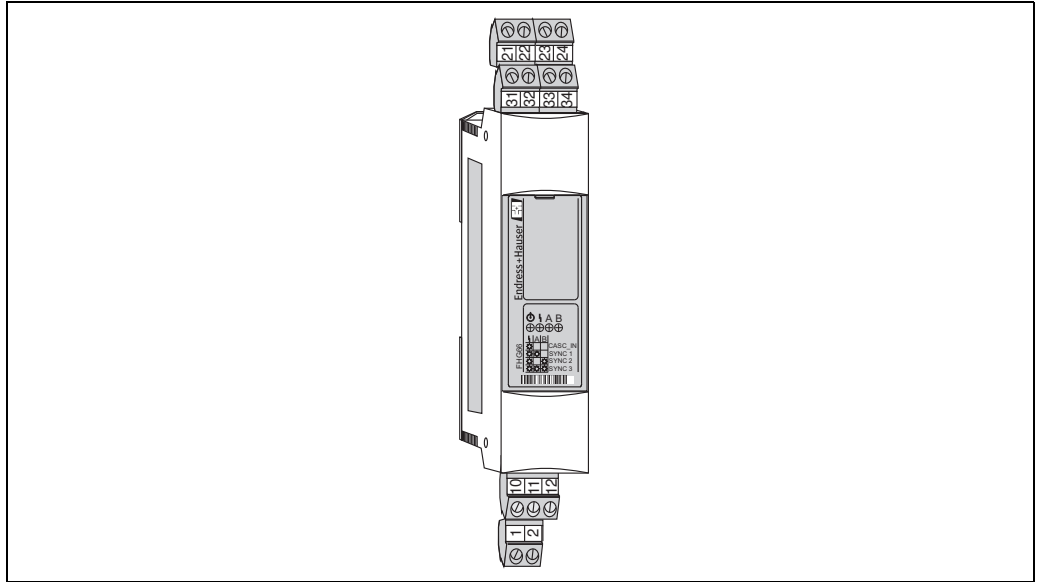
## Terminals

Pluggable screw terminals. Wire cross-section:

- 1.0 to 2.5 mm<sup>2</sup> (17 to 13 AWG) for supply voltage and relay
- 0.5 to 2.5 mm<sup>2</sup> (20 to 13 AWG) for signal line

**⚠ CAUTION**

The terminals may only be replaced by identical types.



A0018546

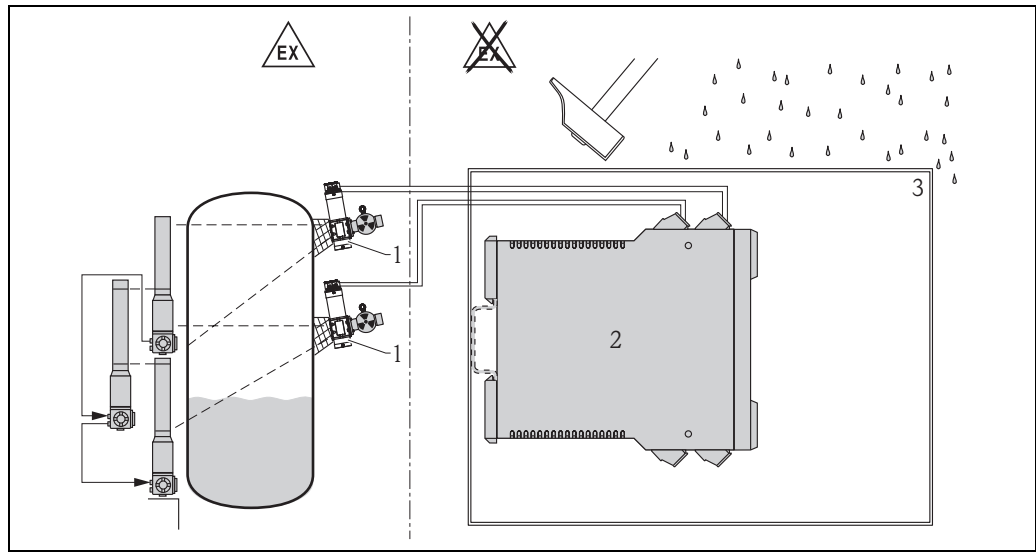
## Terminal assignment

Terminal	Meaning	Remarks
<b>Power supply</b>		
1	L+	18 to 36 VDC Power supply with safe isolation required
2	L-	
<b>Alarm relay</b>		
10	Changeover	
11	NC contact	Is connected to contact 10 if an error is present
12	NO contact	Is connected to contact 10 during error-free operation
<b>Synchronization outputs</b>		
33/34	Synchronization output 1	Synchronization signal: 12 V/5 mA The following can be connected: <ul style="list-style-type: none"> <li>■ a Gamma Modulator FHG65 or</li> <li>■ an additional Synchronizer FHG66 (for cascading)</li> </ul> Polarity is random.
31/32	Synchronization output 2	
21/22	Synchronization output 3	
<b>Cascading input</b>		
23/24	Cascading input	For connecting an additional, upstream Synchronizer FHG66. All the Gamma Modulators connected to the Synchronizers then run in common mode. Cascading signal: 12 V/5 mA

## Installation

## Mounting location

The Synchronizer FHG66 must be housed in a cabinet outside the hazardous area and protected against mechanical influences. If mounting outdoors, a protective housing (min. IP65) must be used.



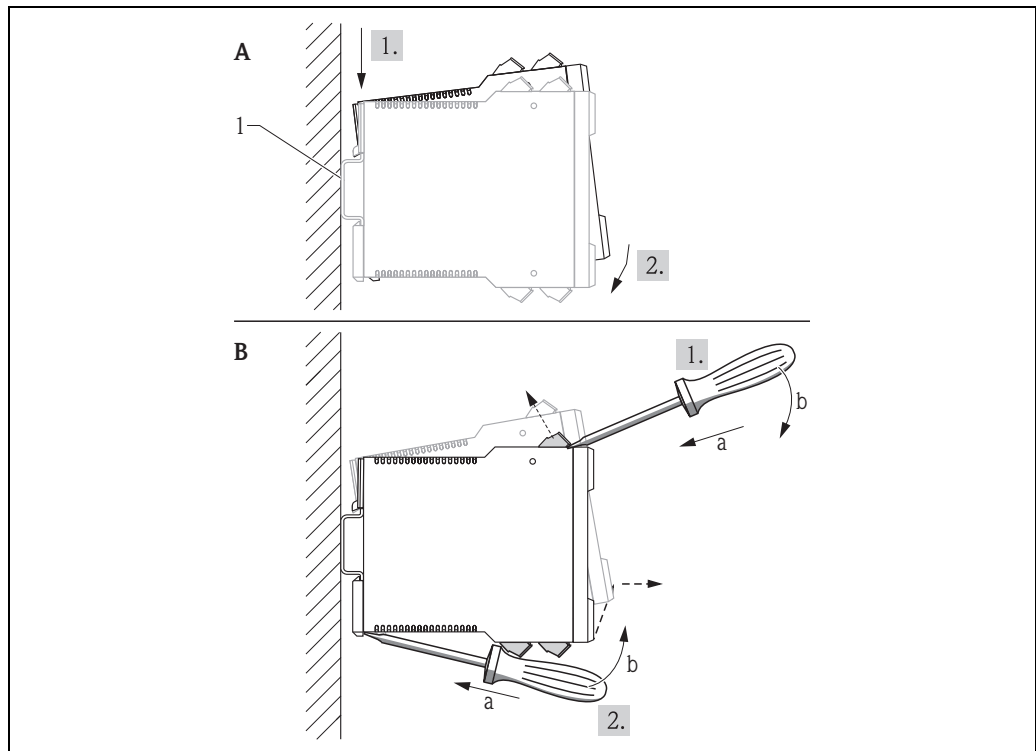
A0018544

**⚠ CAUTION**

Observe the following conditions:

- ▶ Mechanical degree of protection for FHG66: see "Technical data", → 17
- ▶ The ventilation slots of the housing must not be blocked

## Installation instructions

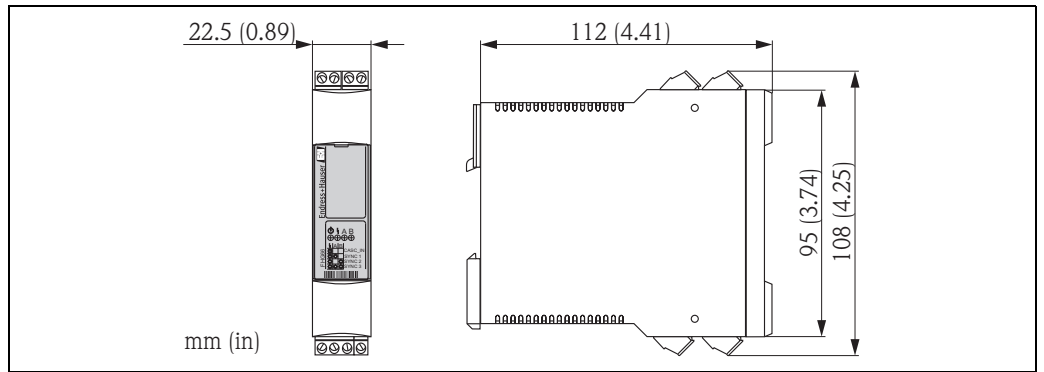


A0018545

- A Mounting on top-hat rail  
 B Disassembly (1. Remove terminal blocks; 2. Remove device)

**Mechanical construction**

**Dimensions**



**Weight**

Approx. 150 g (5.291 oz)

**Material**

*Housing*

- Polycarbonate
- Color: light-gray, RAL 7035

*Front cover*

- Polyamide PA6
- Color: film, blue NCS1040-B206

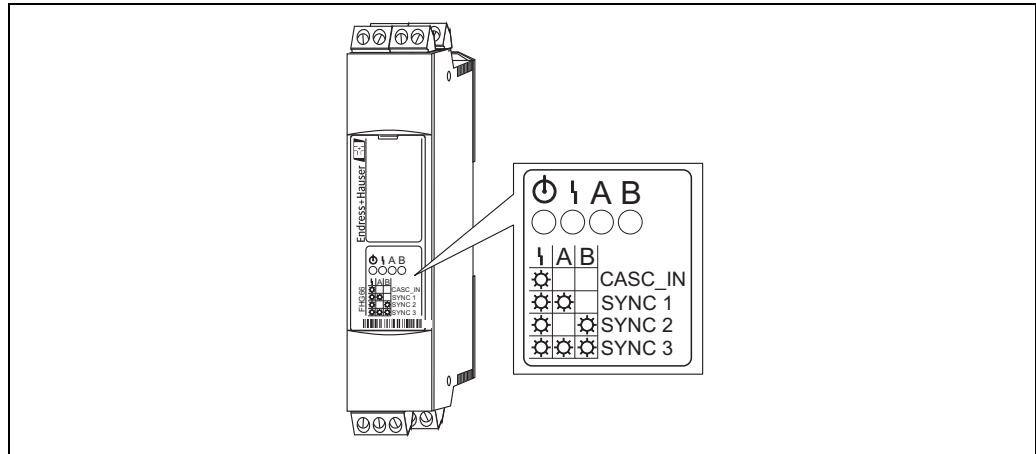
*Fixing slide (to secure to top-hat rail)*

- Polyamide PA6
- Color: light-gray, RAL 7035

## Human interface

## Display elements

LEDs are visible when the front panel is closed.

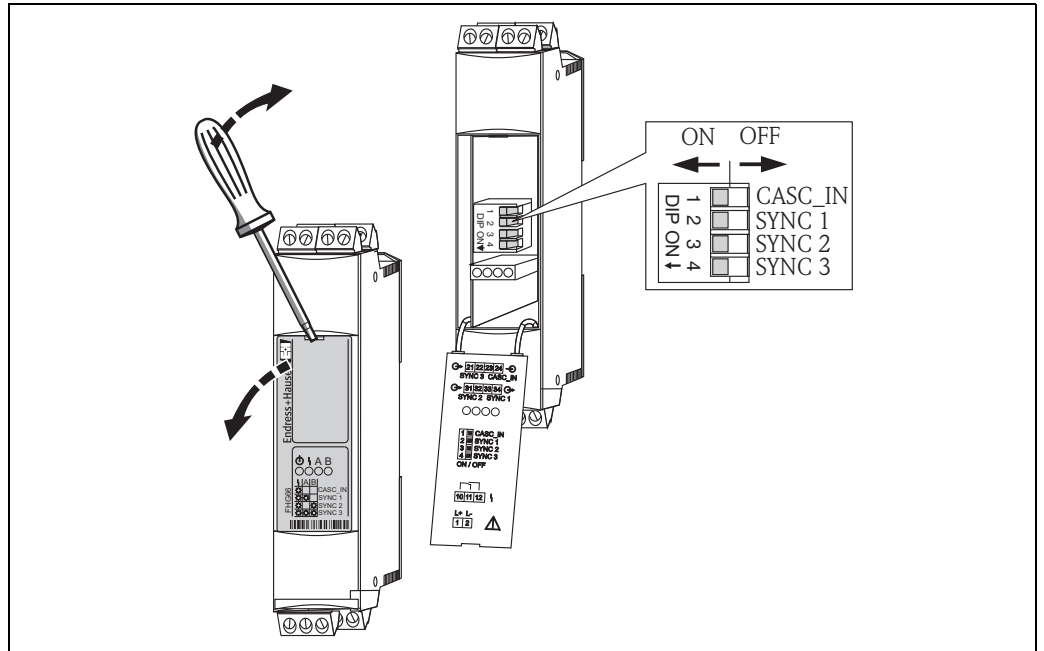


A0018547

LED	Color	Meaning
⏻	Green	<b>Operational</b> Is lit as soon as the supply voltage is switched on.
⚡	Red	<b>Error</b> Is lit if an error is present at one of the synchronization outputs or the cascading input.
A,B	Yellow	<b>Error identifier</b> Indicates the synchronization output where the error is present: <ul style="list-style-type: none"> <li>▪ <b>A:</b> Error at SYNC 1</li> <li>▪ <b>B:</b> Error at SYNC 2</li> <li>▪ <b>A and B:</b> Error at SYNC 3</li> <li>▪ <b>A and B off, but red LED lit:</b> Error at the cascading input (CASC_IN)</li> </ul>

### Operating elements

DIP switches are behind the swing-back front panel.



A0018548

The DIP switches are used to switch the synchronization outputs and the cascading input on and off in accordance with the diagram above.

DIP switches	Input/output
1	Cascading input (terminals 23/24)
2	Synchronization output 1 (terminals 33/34)
3	Synchronization output 2 (terminals 31/32)
4	Synchronization output 3 (terminals 21/22)

### Ordering information

Order code: 71060806

## Certificates and approvals

<b>CE mark</b>	The measuring system meets the legal requirements of the EC Directives. Endress+Hauser confirms successful testing of the device by affixing to it the CE mark.
<b>Explosion protection</b>	Gamma Modulator FHG65
<b>Other approvals</b>	Synchronizer FHG66 CSA GP
<b>Overspill protection</b>	<ul style="list-style-type: none"> <li>▪ May be applied in max-level applications in connection with the Gammapilot M FMG60 (200/400 mm) in SIL 2/3 according to IEC 61508.</li> <li>▪ Not tested for overspill protection according to WHG</li> </ul>
<b>Other standards and guidelines</b>	<p><b>IEC 60529</b> Degrees of protection by housing (IP code)</p> <p><b>IEC 61326</b> Electromagnetic compatibility (EMC requirements)</p> <p><b>IEC 61010</b> Protection measures for electrical equipment for measurement, control, regulation and laboratory procedures.</p> <p><b>NAMUR</b> Association for Standards for Control and Regulation in the Chemical Industry</p>

## Documentation

<b>Gamma Modulator FHG65, Synchronizer FHG66</b>	<b>BA00373F/00/EN</b> Operating Instructions for Gamma Modulator FHG65 and Synchronizer FHG66
<b>FQG61/FQG62 source containers</b>	<b>TI00435F/00/EN</b> Technical Information for source containers FQG61 and FQG62 (in phase out)
<b>Gamma emitter FSG60/FSG61</b>	<b>TI00439F/00/EN</b> Technical Information for gamma emitters FSG60/FSG61
<b>Gammapilot M FMG60</b>	<p><b>TI00363F/00/EN</b> Technical Information for FMG60 Gammapilot M</p> <p><b>BA00236F/00/EN</b> Operating Instructions for FMG60 Gammapilot M, HART</p> <p><b>BA00329F/00/EN</b> Operating Instructions for FMG60 Gammapilot M, PROFIBUS PA</p> <p><b>BA00330F/00/EN</b> Operating Instructions for FMG60 Gammapilot M, Foundation Fieldbus</p> <p><b>BA00287F/00/EN</b> Description of Device Functions for FMG60 Gammapilot M</p>











71229168

[www.addresses.endress.com](http://www.addresses.endress.com)

---