

Technical Information

Proline Prowirl O 200

Vortex flowmeter



The flowmeter with a high pressure sensor, available as compact or remote version

Application

- Preferred measuring principle for wet/saturated/ superheated steam, gases & liquids (also cryogenic)
- The specialist for applications with very high process pressure

Device properties

- Process pressure up to PN 250 (Class 1500)
- DSC sensor made of Titanium (PN > 160 bar/Cl.600)
- Face-to-face length according to industry standard
- Display module with data transfer function
- Robust two-chamber housing
- Plant safety: worldwide approvals (SIL, Haz. area)

Your benefits

- Integrated temperature measurement up to PN 160 (Class 600)
- Highest mechanical integrity for flow measurement – special measuring tube material
- High availability – proven robustness, resistance to vibrations, temperature shocks & water hammer
- No maintenance – lifetime calibration
- Convenient device wiring – separate connection compartment
- Safe operation – no need to open the device due to display with touch control, background lighting
- Integrated verification – Heartbeat Technology™







Table of contents

Document information	3	Electromagnetic compatibility (EMC)	50
Symbols used	3		
Function and system design	3	Process	50
Measuring principle	3	Medium temperature range	50
Measuring system	6	Pressure-temperature ratings	50
		Pressure loss	53
Input	6	Thermal insulation	53
Measured variable	6	Vibrations	53
Measuring range	8		
Operable flow range	8	Mechanical construction	53
Input signal	8	Design, dimensions	53
		Weight	70
Output	9	Materials	72
Output signal	9	Process connections	75
Signal on alarm	11		
Load	12	Operability	75
Ex connection data	12	Operating concept	75
Low flow cut off	17	Local operation	75
Galvanic isolation	18	Remote operation	76
Protocol-specific data	18	Service interface	78
Power supply	24	Certificates and approvals	78
Terminal assignment	24	CE mark	78
Pin assignment, device plug	26	C-Tick symbol	79
Supply voltage	26	Ex approval	79
Power consumption	27	Functional safety	81
Current consumption	27	FOUNDATION Fieldbus certification	81
Power supply failure	28	Certification PROFIBUS	81
Electrical connection	28	Pressure Equipment Directive	81
Potential equalization	33	Experience	81
Terminals	33	Other standards and guidelines	81
Cable entries	33		
Cable specification	33	Ordering information	82
Overvoltage protection	34		
		Application packages	82
Performance characteristics	35	Diagnostics functions	82
Reference operating conditions	35	Heartbeat Technology	83
Maximum measured error	35	Air and industrial gases	83
Repeatability	37	Natural gas	83
Response time	37		
Influence of ambient temperature	37	Accessories	83
		Device-specific accessories	84
Installation	38	Communication-specific accessories	85
Mounting location	38	Service-specific accessories	85
Orientation	38	System components	86
Inlet and outlet runs	39		
Length of connecting cable	41	Documentation	86
Installing the wall-mount housing	41	Standard documentation	86
Special mounting instructions	43	Supplementary device-dependent documentation	87
Environment	43	Registered trademarks	87
Ambient temperature range	43		
Storage temperature	49		
Climate class	49		
Degree of protection	49		
Vibration resistance	50		









Document information

Symbols used

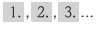



Electrical symbols

Symbol	Meaning	Symbol	Meaning
	Direct current		Alternating current
	Direct current and alternating current		Ground connection A grounded terminal which, as far as the operator is concerned, is grounded via a grounding system.
	Protective ground connection A terminal which must be connected to ground prior to establishing any other connections.		Equipotential connection A connection that has to be connected to the plant grounding system: This may be a potential equalization line or a star grounding system depending on national or company codes of practice.

Symbols for certain types of information

Symbol	Meaning
	Permitted Procedures, processes or actions that are permitted.
	Preferred Procedures, processes or actions that are preferred.
	Forbidden Procedures, processes or actions that are forbidden.
	Tip Indicates additional information.
	Reference to documentation
	Reference to page
	Reference to graphic
	Visual inspection

Symbols in graphics

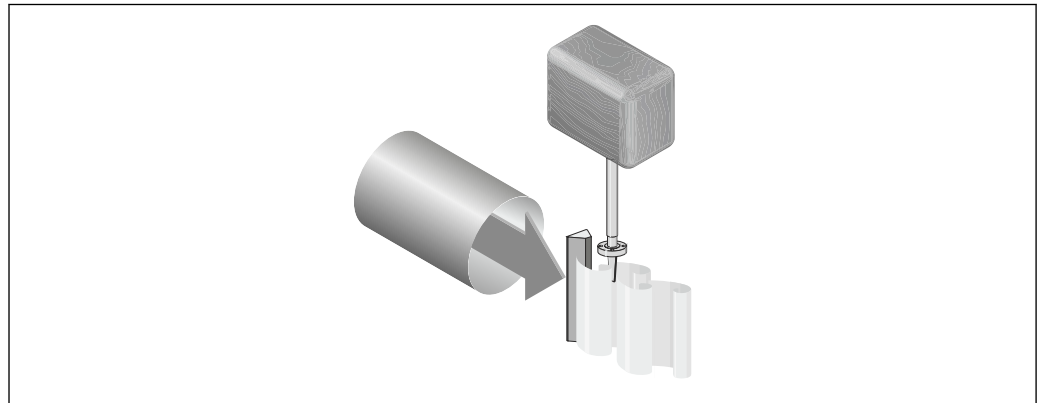
Symbol	Meaning	Symbol	Meaning
1, 2, 3,...	Item numbers		Series of steps
A, B, C, ...	Views	A-A, B-B, C-C, ...	Sections
	Hazardous area		Safe area (non-hazardous area)
	Flow direction		

Function and system design

Measuring principle

Vortex meters work on the principle of the *Karman vortex street*. When fluid flows past a bluff body, vortices are alternately formed on both sides with opposite directions of rotation. These vortices each generate a local low pressure. The pressure fluctuations are recorded by the sensor and converted to

electrical pulses. The vortices develop very regularly within the permitted application limits of the device. Therefore, the frequency of vortex shedding is proportional to the volume flow.



A0019373

The calibration factor (K-factor) is used as the proportional constant:

$$\text{K-Factor} = \frac{\text{Pulses}}{\text{Unit Volume [m}^3\text{]}}$$

A0003939-EN

Within the application limits of the device, the K-factor only depends on the geometry of the device. For $Re > 20\,000$ it is:

- Independent of the flow velocity and the fluid properties viscosity and density
- Independent of the type of substance under measurement: steam, gas or liquid

The primary measuring signal is linear to the flow. After production, the K-factor is determined in the factory by means of calibration. It is not subject to long-time drift or zero-point drift.

The device does not contain any moving parts and does not require any maintenance.

The capacitance sensor

The sensor of a vortex flowmeter has a major influence on the performance, robustness and reliability of the entire measuring system.

The robust DSC sensor is:

- burst-tested
- tested against vibrations
- tested against thermal shock (thermal shocks of 150 K/s)

The Prowirl uses the tried-and-tested capacitance measuring technology of Endress+Hauser applied in over 300 000 measuring points worldwide.

The DSC (differential switched capacitance) sensor patented by Endress+Hauser has complete mechanical balancing. It only reacts to the measured variable (vortex) and does not react to vibrations. Even in the event of pipe vibrations, the smallest of flows can be reliably measured at low density thanks to the unimpaired sensitivity of the sensor. Thus, the wide turndown is also maintained even in the event of harsh operating conditions. Vibrations up to 1 g at least, at frequencies up to 500 Hz in every axis (X, Y, Z), do not affect the flow measurement. Thanks to its design, the capacitance sensor is also particularly mechanically resistant to temperature shocks and pressure shocks in steam pipelines.

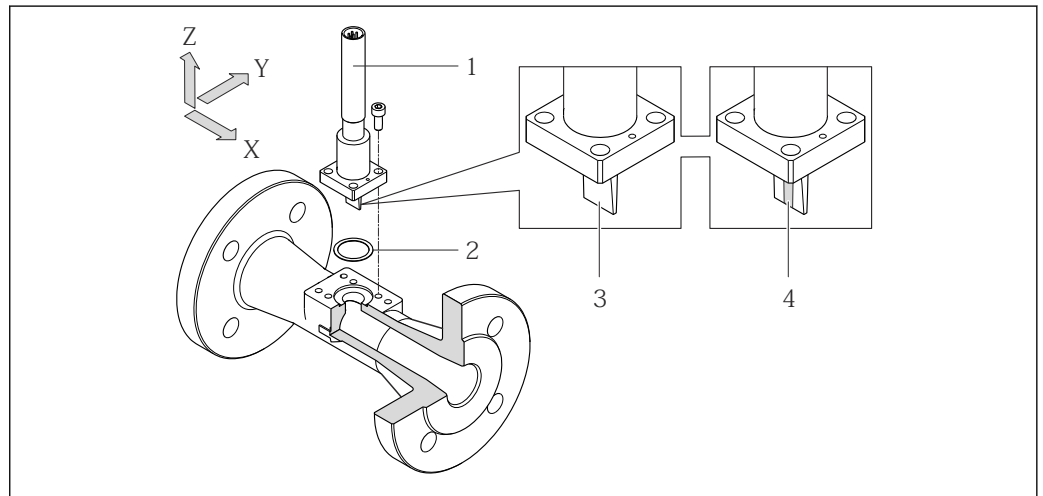
Temperature measurement

Under the "Sensor version" order code the "Mass flow" option is available (→ 5). With this option the measuring device can also measure the temperature of the medium.

The temperature is measured via Pt 1000 temperature sensors. These sensors are located in the paddle of the DSC sensor and are therefore in the direct vicinity of the fluid.

Order code for "Sensor version":

- Option 4 "Volume flow, Alloy 718"
- Option 5 "Volume flow, titanium"
- Option 6 "Mass flow, Alloy 718"



A0019731

1 Sample graphic

1 Sensor

2 Seal

3 Order code for "Sensor version", option 4 "Volume flow, Alloy 718" and option 5 "Volume flow, titanium"

4 Order code for "Sensor version", option 6 "Mass flow, Alloy 718"

Lifelong calibration

Experience has shown that recalibrated Prowirl devices demonstrate a very high degree of stability compared to their original calibration: The recalibration values were all within the original measuring accuracy specifications of the devices.

Various tests and simulation procedures carried out on devices by filing away the edges of Prowirl's bluff body found that there was no negative impact on the accuracy up to a rounding diameter of 1 mm (0.04 in).

If the meter's edges do not show rounding at the edges that exceeds 1 mm (0.04 in), the following general statements apply (for non-abrasive and non-corrosive media, such as in most water and steam applications):

- The measuring device does not display an offset in the calibration and the accuracy is still guaranteed.
- All the edges on the bluff body have a radius that is typically smaller in size. As the measuring devices are naturally also calibrated with these radii, the measuring device remains within the specified accuracy rating provided that the additional radius that is produced as a result of wear and tear does not exceed 1 mm (0.04 in).

Consequently it can be said that the Prowirl product line offers lifelong calibration if the measuring device is used in non-abrasive and non-corrosive media.

Diagnostic functions

In addition, the device offers extensive diagnostic options, such as tracking fluid and ambient temperatures, extreme flows etc.

The following minimum and maximum values are tracked in the measuring device and saved for diagnostic purposes:

- Frequency
- Temperature
- Velocity
- Pressure

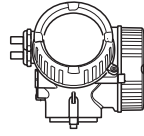
Measuring system

The device consists of a transmitter and a sensor.

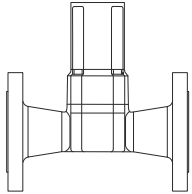
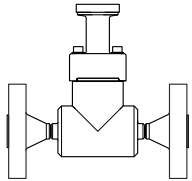
Two device versions are available:

- Compact version - the transmitter and sensor form a mechanical unit.
- Remote version – the transmitter and sensor are mounted separately from one another.

Transmitter

<p>Prowirl 200</p>  <p style="text-align: right; font-size: small;">A0013471</p>	<p>Device versions and materials:</p> <ul style="list-style-type: none"> ■ Compact or remote version, aluminum coated: Aluminum, AlSi10Mg, coated ■ Compact or remote version, stainless: For maximum corrosion resistance: stainless steel 1.4404 (316L) <p>Configuration:</p> <ul style="list-style-type: none"> ■ Via four-line local display with key operation or via four-line, illuminated local display with touch control and guided menus ("Make-it-run" wizards) for applications ■ Via operating tools (e.g. FieldCare)
--	---

Sensor

<p>Prowirl O</p> <p><i>High pressure version: PN 63 to 160/Class 600</i></p>  <p style="text-align: right; font-size: small;">A0019082</p>	<p>Flanged version for use in high process pressures up to PN 250/Class 1500:</p> <ul style="list-style-type: none"> ■ Nominal diameter range: DN 15 to 150 (½ to 6") ■ Two versions with different pressure rating ranges are available: <ul style="list-style-type: none"> - High pressure version: PN 63 to 160/Class 600/40K - Ultra-high pressure version: PN 250/Class 900 to 1500 ■ Materials for PN 63 to 160/Class 600/40K: Fully cast construction: stainless cast steel, multiple certifications, 1.4408 (CF3M) ■ Materials for PN 250: Fully cast construction: stainless steel, 1.4571 similar to F316 Ti ■ Materials for Class 900 to 1500: Fully cast construction: stainless steel, F316/F316L similar to 1.4404 ■ Butt-weld version available for PN 250/Class 600 to 1500, DN 15 to 150 (½ to 6")
<p><i>Ultra-high pressure version: PN 250/Class 900 to 1500</i></p>  <p style="text-align: right; font-size: small;">A0019918</p>	

Input**Measured variable****Direct measured variables**

Order code for "Sensor version":

- Option 4 "Volume flow, Alloy 718" and
- Option 5 "Volume flow, titanium":
Volume flow

Order code for "Sensor version":

- Option 6 "Mass flow, Alloy 718":
 - Volume flow
 - Temperature

Calculated measured variables

Order code for "Sensor version":

- Option 4 "Volume flow, Alloy 718" and
- Option 5 "Volume flow, titanium":
 - In the case of constant process conditions: Mass flow ¹⁾ or Corrected volume flow
 - The totalized values for Volume flow, Mass flow, or Corrected volume flow

Order code for "Sensor version":

Option 6 "Mass flow, Alloy 718":

- Corrected volume flow
- Mass flow
- Calculated saturated steam pressure
- Energy flow
- Heat flow difference
- Specific volume
- Degrees of superheat

1) A fixed density must be entered for calculating the mass flow (**Setup** menu → **Advanced setup** submenu → **External compensation** submenu → **Fixed density** parameter).

Measuring range

The measuring range depends on the fluid and nominal diameter.

Lower range value

Depends on the density and the Reynolds number ($Re_{\min} = 5\,000$, $Re_{\text{linear}} = 20\,000$). The Reynolds number is dimensionless and indicates the ratio of the inertia force of a fluid to its viscous force. It is used to characterize the flow. The Reynolds number is calculated as follows:

$$Re = \frac{4 \cdot Q \text{ [m}^3\text{/s]} \cdot \rho \text{ [kg/m}^3\text{]}}{\pi \cdot di \text{ [m]} \cdot \mu \text{ [Pa}\cdot\text{s]}} \quad Re = \frac{4 \cdot Q \text{ [ft}^3\text{/s]} \cdot \rho \text{ [lb/ft}^3\text{]}}{\pi \cdot di \text{ [ft]} \cdot \mu \text{ [0.001 cP]}}$$

A0003794

Re = Reynolds number; Q = flow; di = internal diameter; μ = dynamic viscosity, ρ = density

$$\begin{aligned} \text{DN 15...150} &\rightarrow v_{\min.} = \frac{6}{\sqrt{\rho \text{ [kg/m}^3\text{]}}} \text{ [m/s]} \\ \text{DN } \frac{1}{2}\text{...6"} &\rightarrow v_{\min.} = \frac{4.92}{\sqrt{\rho \text{ [lb/ft}^3\text{]}}} \text{ [ft/s]} \end{aligned}$$

A0020557

Upper range value**Liquids:**

The upper range value must be calculated as follows:

$$v_{\max} = 9 \text{ m/s (30 ft/s)} \text{ and } v_{\max} = 350/\sqrt{\rho} \text{ m/s (130}/\sqrt{\rho} \text{ ft/s)}$$

► Use the lower value.

Gas/steam:

Nominal diameter	v_{\max}
Standard device: DN 15 (½")	46 m/s (151 ft/s) and $350/\sqrt{\rho}$ m/s ($130/\sqrt{\rho}$ ft/s) (Use the lower value.)
Standard device: DN 25 (1"), DN 40 (1½")	75 m/s (246 ft/s) and $350/\sqrt{\rho}$ m/s ($130/\sqrt{\rho}$ ft/s) (Use the lower value.)
Standard device: DN 50 to 150 (2 to 8")	120 m/s (394 ft/s) and $350/\sqrt{\rho}$ m/s ($130/\sqrt{\rho}$ ft/s) (Use the lower value.) Calibrated range: up to 75 m/s (246 ft/s)



For information about the Applicator (→ 85)

Operable flow range

Up to 45: 1 (ratio between lower and upper range value)

Input signal**External measured values**

To increase the accuracy of certain measured variables or to calculate the corrected volume flow, the automation system can continuously write different measured values to the measuring device:

- Operating pressure to increase accuracy (Endress+Hauser recommends the use of a pressure measuring device for absolute pressure, e.g. Cerabar M or Cerabar S)
- Medium temperature to increase accuracy (e.g. iTEMP)
- Reference density for calculating the corrected volume flow



- Various pressure transmitters can be ordered from Endress+Hauser: see "Accessories" section (→ 86)
- Please comply with the special mounting instructions when using pressure transmitters (→ 43)

It is recommended to read in external measured values to calculate the following measured variables:

- Energy flow
- Mass flow
- Corrected volume flow

HART protocol

The measured values are written from the automation system to the measuring device via the HART protocol. The pressure transmitter must support the following protocol-specific functions:

- HART protocol
- Burst mode

Current input

The measured values are written from the automation system to the measuring device via the current input.

Fieldbuses

The measured values can be written from the automation system to the measuring via:

- PROFIBUS PA
- FOUNDATION Fieldbus

Current input

Current input	4 to 20 mA (passive)
Resolution	1 µA
Voltage drop	Typically: 2.2 to 3 V for 3.6 to 22 mA
Maximum voltage	≤ 35 V
Possible input variables	<ul style="list-style-type: none"> ■ Pressure ■ Temperature ■ Density

Output



Output signal

Current output

Current output 1	4-20 mA HART (passive)
Current output 2	4-20 mA (passive)
Resolution	<1 µA
Damping	Adjustable: 0.0 to 999.9 s
Assignable measured variables	<ul style="list-style-type: none"> ■ Volume flow ■ Corrected volume flow ■ Mass flow ■ Flow velocity ■ Temperature ■ Calculated saturated steam pressure ■ Total mass flow ■ Energy flow ■ Heat flow difference

Pulse/frequency/switch output

Function	Can be set to pulse, frequency or switch output
Version	Passive, open collector

Maximum input values	<ul style="list-style-type: none"> ▪ DC 35 V ▪ 50 mA <p> For information on the Ex connection values (→  12)</p>
Voltage drop	<ul style="list-style-type: none"> ▪ For ≤2 mA: 2 V ▪ For 10 mA: 8 V
Residual current	≤0.05 mA
Pulse output	
Pulse width	Adjustable: 5 to 2 000 ms
Maximum pulse rate	100 Impulse/s
Pulse value	Adjustable
Assignable measured variables	<ul style="list-style-type: none"> ▪ Total volume flow ▪ Total corrected volume flow ▪ Total mass flow ▪ Total energy flow ▪ Total heat flow difference
Frequency output	
Output frequency	Adjustable: 0 to 1 000 Hz
Damping	Adjustable: 0 to 999 s
Pulse/pause ratio	1:1
Assignable measured variables	<ul style="list-style-type: none"> ▪ Volume flow ▪ Corrected volume flow ▪ Mass flow ▪ Flow velocity ▪ Temperature ▪ Calculated saturated steam pressure ▪ Steam quality ▪ Total mass flow ▪ Energy flow ▪ Heat flow difference
Switch output	
Switching behavior	Binary, conductive or non-conductive
Switching delay	Adjustable: 0 to 100 s
Number of switching cycles	Unlimited
Assignable functions	<ul style="list-style-type: none"> ▪ Off ▪ On ▪ Diagnostic behavior ▪ Limit value <ul style="list-style-type: none"> - Volume flow - Corrected volume flow - Mass flow - Flow velocity - Temperature - Calculated saturated steam pressure - Steam quality - Total mass flow - Energy flow - Heat flow difference - Reynolds number - Totalizer 1-3 ▪ Status ▪ Status of low flow cut off

FOUNDATION Fieldbus

Signal encoding	Manchester Bus Powered (MBP)
Data transfer	31.25 KBit/s, Voltage mode

PROFIBUS PA

Signal encoding	Manchester Bus Powered (MBP)
Data transfer	31.25 KBit/s, Voltage mode

Signal on alarm

Depending on the interface, failure information is displayed as follows:

Current output

HART

Device diagnostics	Device condition can be read out via HART Command 48
---------------------------	--

Pulse/frequency/switch output

Pulse output	
Failure mode	No pulses
Frequency output	
Failure mode	Choose from: <ul style="list-style-type: none"> ▪ Actual value ▪ Defined value: 0 to 1250 Hz ▪ 0 Hz
Switch output	
Failure mode	Choose from: <ul style="list-style-type: none"> ▪ Current status ▪ Open ▪ Closed

FOUNDATION Fieldbus


Status and alarm messages	Diagnostics in accordance with FF-912
Error current FDE (Fault Disconnection Electronic)	0 mA

PROFIBUS PA

Status and alarm messages	Diagnostics in accordance with PROFIBUS PA Profile 3.02
Error current FDE (Fault Disconnection Electronic)	0 mA

Local display



Plain text display	With information on cause and remedial measures
Backlight	Additionally for device version with SD03 local display: red lighting indicates a device error.

 Status signal as per NAMUR recommendation NE 107

Operating tool

- Via digital communication:
 - HART protocol
 - FOUNDATION Fieldbus
 - PROFIBUS PA
- Via service interface


Plain text display	With information on cause and remedial measures
--------------------	---

 Additional information on remote operation (→  76)

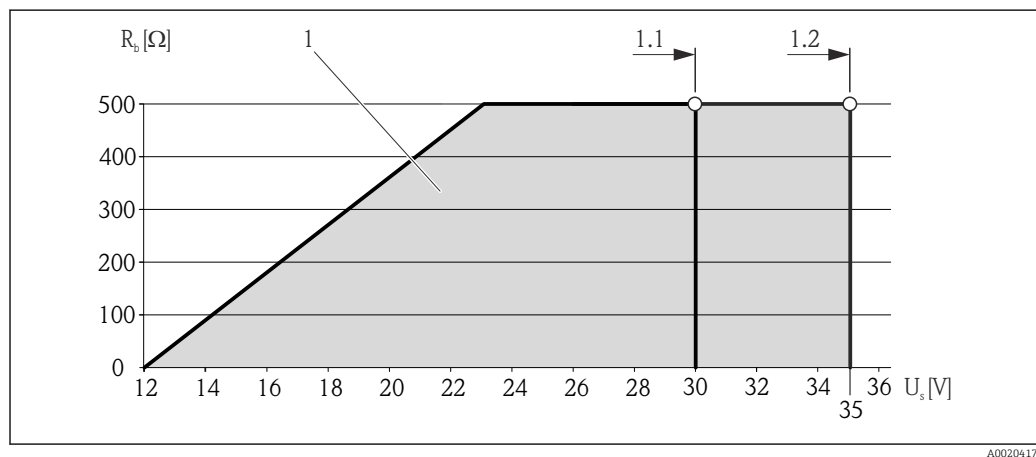
Load


Load for current output: 0 to 500 Ω, depending on the external supply voltage of the power supply unit

Calculation of the maximum load

Depending on the supply voltage of the power supply unit (U_S), the maximum load (R_B) including line resistance must be observed to ensure adequate terminal voltage at the device. In doing so, observe the minimum terminal voltage (→  26)

- $R_B \leq (U_S - U_{\text{term. min}}) : 0.022 \text{ A}$
- $R_B \leq 500 \text{ } \Omega$



 2 Load for a compact version without local operation

1 Operating range

1.1 For order code for "Output", option A "4-20 mA HART"/option B "4-20 mA HART, pulse/frequency/switch output" with Ex i and option C "4-20 mA HART, 4-20 mA"

1.2 For order code for "Output", option A "4-20 mA HART"/option B "4-20 mA HART, pulse/frequency/switch output" with non-Ex and Ex d



Sample calculation

Supply voltage of the supply unit:

- $U_S = 19 \text{ V}$

- $U_{\text{term. min}} = 12 \text{ V}$ (measuring device) + 1 V (local operation without lighting) = 13 V

Maximum load: $R_B \leq (19 \text{ V} - 13 \text{ V}) : 0.022 \text{ A} = 273 \text{ } \Omega$

 The minimum terminal voltage ($U_{\text{term. min}}$) increases if local operation is used (→  27).

Ex d type of protection

Order code for "Output"	Output type	Safety-related values
Option A	4-20mA HART	$U_{nom} = DC 35 V$ $U_{max} = 250 V$
Option B	4-20mA HART	$U_{nom} = DC 35 V$ $U_{max} = 250 V$
	Pulse/frequency/switch output	$U_{nom} = DC 35 V$ $U_{max} = 250 V$ $P_{max} = 1 W^{1)}$
Option C	4-20mA HART	$U_{nom} = DC 30 V$ $U_{max} = 250 V$
	4-20mA	
Option D	4-20mA HART	$U_{nom} = DC 35 V$ $U_{max} = 250 V$
	Pulse/frequency/switch output	$U_{nom} = DC 35 V$ $U_{max} = 250 V$ $P_{max} = 1 W^{1)}$
	4 to 20 mA current input	$U_{nom} = DC 35 V$ $U_{max} = 250 V$
Option E	FOUNDATION Fieldbus	$U_{nom} = DC 32 V$ $U_{max} = 250 V$ $P_{max} = 0.88 W$
	Pulse/frequency/switch output	$U_{nom} = DC 35 V$ $U_{max} = 250 V$ $P_{max} = 1 W^{1)}$
Option G	PROFIBUS PA	$U_{nom} = DC 32 V$ $U_{max} = 250 V$ $P_{max} = 0.88 W$
	Pulse/frequency/switch output	$U_{nom} = DC 35 V$ $U_{max} = 250 V$ $P_{max} = 1 W^{1)}$

1) Internal circuit limited by $R_i = 760.5 \Omega$

Ex nA type of protection

Order code for "Output"	Output type	Safety-related values
Option A	4-20mA HART	$U_{nom} = DC 35 V$ $U_{max} = 250 V$
Option B	4-20mA HART	$U_{nom} = DC 35 V$ $U_{max} = 250 V$
	Pulse/frequency/switch output	$U_{nom} = DC 35 V$ $U_{max} = 250 V$ $P_{max} = 1 W^{1)}$
Option C	4-20mA HART	$U_{nom} = DC 30 V$ $U_{max} = 250 V$
	4-20mA	
Option D	4-20mA HART	$U_{nom} = DC 35 V$ $U_{max} = 250 V$
	Pulse/frequency/switch output	$U_{nom} = DC 35 V$ $U_{max} = 250 V$ $P_{max} = 1 W$
	4 to 20 mA current input	$U_{nom} = DC 35 V$ $U_{max} = 250 V$

Order code for "Output"	Output type	Safety-related values
Option E	FOUNDATION Fieldbus	$U_{nom} = DC 32 V$ $U_{max} = 250 V$ $P_{max} = 0.88 W$
	Pulse/frequency/switch output	$U_{nom} = DC 35 V$ $U_{max} = 250 V$ $P_{max} = 1 W$
Option G	PROFIBUS PA	$U_{nom} = DC 32 V$ $U_{max} = 250 V$ $P_{max} = 0.88 W$
	Pulse/frequency/switch output	$U_{nom} = DC 35 V$ $U_{max} = 250 V$ $P_{max} = 1 W$

1) Internal circuit limited by $R_i = 760.5 \Omega$

Type of protection XP

Order code for "Output"	Output type	Safety-related values
Option A	4-20mA HART	$U_{nom} = DC 35 V$ $U_{max} = 250 V$
Option B	4-20mA HART	$U_{nom} = DC 35 V$ $U_{max} = 250 V$
	Pulse/frequency/switch output	$U_{nom} = DC 35 V$ $U_{max} = 250 V$ $P_{max} = 1 W$ ¹⁾
Option C	4-20mA HART	$U_{nom} = DC 30 V$ $U_{max} = 250 V$
	4-20mA	
Option D	4-20mA HART	$U_{nom} = DC 35 V$ $U_{max} = 250 V$
	Pulse/frequency/switch output	$U_{nom} = DC 35 V$ $U_{max} = 250 V$ $P_{max} = 1 W$
	4 to 20 mA current input	$U_{nom} = DC 35 V$ $U_{max} = 250 V$
Option E	FOUNDATION Fieldbus	$U_{nom} = DC 32 V$ $U_{max} = 250 V$ $P_{max} = 0.88 W$
	Pulse/frequency/switch output	$U_{nom} = DC 35 V$ $U_{max} = 250 V$ $P_{max} = 1 W$
Option G	PROFIBUS PA	$U_{nom} = DC 32 V$ $U_{max} = 250 V$ $P_{max} = 0.88 W$
	Pulse/frequency/switch output	$U_{nom} = DC 35 V$ $U_{max} = 250 V$ $P_{max} = 1 W$

1) Internal circuit limited by $R_i = 760.5 \Omega$

Intrinsically safe values

Type of protection Ex ia

Order code for "Output"	Output type	Intrinsically safe values	
Option A	4-20mA HART	$U_i = DC\ 30\ V$ $I_i = 300\ mA$ $P_i = 1\ W$ $L_i = 0\ \mu H$ $C_i = 5\ nF$	
Option B	4-20mA HART	$U_i = DC\ 30\ V$ $I_i = 300\ mA$ $P_i = 1\ W$ $L_i = 0\ \mu H$ $C_i = 5\ nF$	
	Pulse/frequency/switch output	$U_i = DC\ 30\ V$ $I_i = 300\ mA$ $P_i = 1\ W$ $L_i = 0\ \mu H$ $C_i = 6\ nF$	
Option C	4-20mA HART	$U_i = DC\ 30\ V$ $I_i = 300\ mA$ $P_i = 1\ W$ $L_i = 0\ \mu H$ $C_i = 30\ nF$	
	4-20mA		
Option D	4-20mA HART	$U_i = DC\ 30\ V$ $I_i = 300\ mA$ $P_i = 1\ W$ $L_i = 0\ \mu H$ $C_i = 5\ nF$	
	Pulse/frequency/switch output	$U_i = DC\ 30\ V$ $I_i = 300\ mA$ $P_i = 1\ W$ $L_i = 0\ \mu H$ $C_i = 6\ nF$	
	4 to 20 mA current input	$U_i = DC\ 30\ V$ $I_i = 300\ mA$ $P_i = 1\ W$ $L_i = 0\ \mu H$ $C_i = 5\ nF$	
Option E	FOUNDATION Fieldbus	STANDARD $U_i = 30\ V$ $I_i = 300\ mA$ $P_i = 1.2\ W$ $L_i = 10\ \mu H$ $C_i = 5\ nF$	FISCO $U_i = 17.5\ V$ $I_i = 550\ mA$ $P_i = 5.5\ W$ $L_i = 10\ \mu H$ $C_i = 5\ nF$
	Pulse/frequency/switch output	$U_i = 30\ V$ $I_i = 300\ mA$ $P_i = 1\ W$ $L_i = 0\ \mu H$ $C_i = 6\ nF$	
Option G	PROFIBUS PA	STANDARD $U_i = 30\ V$ $I_i = 300\ mA$ $P_i = 1.2\ W$ $L_i = 10\ \mu H$ $C_i = 5\ nF$	FISCO $U_i = 17.5\ V$ $I_i = 550\ mA$ $P_i = 5.5\ W$ $L_i = 10\ \mu H$ $C_i = 5\ nF$

Type of protection Ex ic

Order code for "Output"	Output type	Intrinsically safe values	
Option A	4-20mA HART	$U_i = DC\ 35\ V$ $I_i = n.a.$ $P_i = 1\ W$ $L_i = 0\ \mu H$ $C_i = 5\ nF$	
Option B	4-20mA HART	$U_i = DC\ 35\ V$ $I_i = n.a.$ $P_i = 1\ W$ $L_i = 0\ \mu H$ $C_i = 5\ nF$	
	Pulse/frequency/switch output	$U_i = DC\ 35\ V$ $I_i = n.a.$ $P_i = 1\ W$ $L_i = 0\ \mu H$ $C_i = 6\ nF$	
Option C	4-20mA HART	$U_i = DC\ 30\ V$ $I_i = n.a.$ $P_i = 1\ W$ $L_i = 0\ \mu H$ $C_i = 30\ nF$	
	4-20mA		
Option D	4-20mA HART	$U_i = DC\ 35\ V$ $I_i = n.a.$ $P_i = 1\ W$ $L_i = 0\ \mu H$ $C_i = 5\ nF$	
	Pulse/frequency/switch output	$U_i = DC\ 35\ V$ $I_i = n.a.$ $P_i = 1\ W$ $L_i = 0\ \mu H$ $C_i = 6\ nF$	
	4 to 20 mA current input	$U_i = DC\ 35\ V$ $I_i = n.a.$ $P_i = 1\ W$ $L_i = 0\ \mu H$ $C_i = 5\ nF$	
Option E	FOUNDATION Fieldbus	STANDARD $U_i = 32\ V$ $I_i = 300\ mA$ $P_i = n.a.$ $L_i = 10\ \mu H$ $C_i = 5\ nF$	FISCO $U_i = 17.5\ V$ $I_i = n.a.$ $P_i = n.a.$ $L_i = 10\ \mu H$ $C_i = 5\ nF$
	Pulse/frequency/switch output	$U_i = 35\ V$ $I_i = 300\ mA$ $P_i = 1\ W$ $L_i = 0\ \mu H$ $C_i = 6\ nF$	
Option G	PROFIBUS PA	STANDARD $U_i = 32\ V$ $I_i = 300\ mA$ $P_i = n.a.$ $L_i = 10\ \mu H$ $C_i = 5\ nF$	FISCO $U_i = 17.5\ V$ $I_i = n.a.$ $P_i = n.a.$ $L_i = 10\ \mu H$ $C_i = 5\ nF$
	Pulse/frequency/switch output	$U_i = 35\ V$ $I_i = 300\ mA$ $P_i = 1\ W$ $L_i = 0\ \mu H$ $C_i = 6\ nF$	

IS type of protection

Order code for "Output"	Output type	Intrinsically safe values	
Option A	4-20mA HART	$U_i = DC\ 30\ V$ $I_i = 300\ mA$ $P_i = 1\ W$ $L_i = 0\ \mu H$ $C_i = 5\ nF$	
Option B	4-20mA HART	$U_i = DC\ 30\ V$ $I_i = 300\ mA$ $P_i = 1\ W$ $L_i = 0\ \mu H$ $C_i = 5\ nF$	
	Pulse/frequency/switch output	$U_i = DC\ 30\ V$ $I_i = 300\ mA$ $P_i = 1\ W$ $L_i = 0\ \mu H$ $C_i = 6\ nF$	
Option C	4-20mA HART	$U_i = DC\ 30\ V$ $I_i = 300\ mA$ $P_i = 1\ W$ $L_i = 0\ \mu H$ $C_i = 30\ nF$	
	4-20mA		
Option D	4-20mA HART	$U_i = DC\ 30\ V$ $I_i = 300\ mA$ $P_i = 1\ W$ $L_i = 0\ \mu H$ $C_i = 5\ nF$	
	Pulse/frequency/switch output	$U_i = DC\ 30\ V$ $I_i = 300\ mA$ $P_i = 1\ W$ $L_i = 0\ \mu H$ $C_i = 6\ nF$	
	4 to 20 mA current input	$U_i = DC\ 30\ V$ $I_i = 300\ mA$ $P_i = 1\ W$ $L_i = 0\ \mu H$ $C_i = 5\ nF$	
Option E	FOUNDATION Fieldbus	STANDARD $U_i = 30\ V$ $I_i = 300\ mA$ $P_i = 1.2\ W$ $L_i = 10\ \mu H$ $C_i = 5\ nF$	FISCO $U_i = 17.5\ V$ $I_i = 550\ mA$ $P_i = 5.5\ W$ $L_i = 10\ \mu H$ $C_i = 5\ nF$
	Pulse/frequency/switch output	$U_i = 30\ V$ $I_i = 300\ mA$ $P_i = 1\ W$ $L_i = 0\ \mu H$ $C_i = 6\ nF$	
Option G	PROFIBUS PA	STANDARD $U_i = 30\ V$ $I_i = 300\ mA$ $P_i = 1.2\ W$ $L_i = 10\ \mu H$ $C_i = 5\ nF$	FISCO $U_i = 17.5\ V$ $I_i = 550\ mA$ $P_i = 5.5\ W$ $L_i = 10\ \mu H$ $C_i = 5\ nF$
	Pulse/frequency/switch output	$U_i = 30\ V$ $I_i = 300\ mA$ $P_i = 1\ W$ $L_i = 0\ \mu H$ $C_i = 6\ nF$	

Low flow cut off

The switch points for low flow cut off are user-selectable.

Galvanic isolation All outputs are galvanically isolated from one another.

Protocol-specific data HART

Manufacturer ID	0x11
Device type ID	0x38
HART protocol revision	7
Device description files (DTM, DD)	Information and files under: www.endress.com
HART load	<ul style="list-style-type: none">▪ Min. 250 Ω▪ Max. 500 Ω

<p>Dynamic variables</p>	<p>Read out the dynamic variables: HART command 3 The measured variables can be freely assigned to the dynamic variables.</p> <p>Measured variables for PV (primary dynamic variable)</p> <ul style="list-style-type: none"> ▪ Volume flow ▪ Corrected volume flow ▪ Mass flow ▪ Flow velocity ▪ Temperature ▪ Calculated saturated steam pressure ▪ Steam quality ▪ Total mass flow ▪ Energy flow ▪ Heat flow difference <p>Measured variables for SV, TV, QV (secondary, tertiary and quaternary dynamic variable)</p> <ul style="list-style-type: none"> ▪ Volume flow ▪ Corrected volume flow ▪ Mass flow ▪ Flow velocity ▪ Temperature ▪ Calculated saturated steam pressure ▪ Steam quality ▪ Total mass flow ▪ Energy flow ▪ Heat flow difference ▪ Condensate mass flow ▪ Reynolds number ▪ Totalizer 1 ▪ Totalizer 2 ▪ Totalizer 3 ▪ HART input ▪ Density ▪ Pressure ▪ Specific volume ▪ Degree of overheating
<p>Device variables</p>	<p>Read out the device variables: HART command 9 The device variables are permanently assigned.</p> <p>A maximum of 8 device variables can be transmitted:</p> <ul style="list-style-type: none"> ▪ 0 = volume flow ▪ 1 = corrected volume flow ▪ 2 = Mass flow ▪ 3 = flow velocity ▪ 4 = temperature ▪ 5 = calculated saturated steam pressure ▪ 6 = steam quality ▪ 7 = total mass flow ▪ 8 = energy flow ▪ 9 = heat flow difference ▪ 10 = condensate mass flow ▪ 11 = Reynolds number ▪ 12 = totalizer 1 ▪ 13 = totalizer 2 ▪ 14 = totalizer 3 ▪ 15 = HART input ▪ 16 = density ▪ 17 = pressure ▪ 18 = specific volume ▪ 19 = degree of overheating

FOUNDATION Fieldbus

<p>Manufacturer ID</p>	<p>0x452B48</p>
<p>Ident number</p>	<p>0x1038</p>
<p>Device revision</p>	<p>1</p>


DD revision	Information and files under:
CFF revision	<ul style="list-style-type: none"> ▪ www.endress.com ▪ www.fieldbus.org
Device Tester Version (ITK version)	6.1.1
ITK Test Campaign Number	IT094200
Link Master capability (LAS)	Yes
Choice of "Link Master" and "Basic Device"	Yes Factory setting: Basic Device
Node address	Factory setting: 247 (0xF7)
Supported functions	The following methods are supported: <ul style="list-style-type: none"> ▪ Restart ▪ ENP Restart ▪ Diagnostic
Virtual Communication Relationships (VCRs)	
Number of VCRs	44
Number of link objects in VFD	50
Permanent entries	1
Client VCRs	0
Server VCRs	10
Source VCRs	43
Sink VCRs	0
Subscriber VCRs	43
Publisher VCRs	43
Device Link Capabilities	
Slot time	4
Min. delay between PDU	8
Max. response delay	Min. 5

Transducer Blocks

Block	Contents	Output values
Setup Transducer Block (TRDSUP)	All parameters for standard commissioning.	No output values
Advanced Setup Transducer Block (TRDASUP)	All parameters for more accurate measurement configuration.	No output values
Display Transducer Block (TRDDISP)	Parameters for configuring the local display.	No output values
HistoROM Transducer Block (TRDHROM)	Parameters for using the HistoROM function.	No output values

Block	Contents	Output values
Diagnostic Transducer Block (TRDDIAG)	Diagnostics information.	Process variables (AI Channel) <ul style="list-style-type: none"> ▪ Mass flow (11) ▪ Flow velocity (37) ▪ Condensate mass flow (47) ▪ Total mass flow (46) ▪ Volume flow (9) ▪ Corrected volume flow (13) ▪ Temperature (7) ▪ Calculated saturated steam pressure (45) ▪ Steam quality (48) ▪ Energy flow (38) ▪ Heat flow difference (49) ▪ Reynolds number (50)
Expert Configuration Transducer Block (TRDEXP)	Parameters that require the user to have in-depth knowledge of the operation of the device in order to configure the parameters appropriately.	No output values
Expert Information Transducer Block (TRDEXPIN)	Parameters that provide information about the state of the device.	No output values
Service Sensor Transducer Block (TRDSRVS)	Parameters that can only be accessed by Endress+Hauser Service.	No output values
Service Information Transducer Block (TRDSRVIF)	Parameters that provide Endress+Hauser Service with information about the state of the device.	No output values
Total Inventory Counter Transducer Block (TRDTIC)	Parameters for configuring all the totalizers and the inventory counter.	Process variables (AI Channel) <ul style="list-style-type: none"> ▪ Totalizer 1 (16) ▪ Totalizer 2 (17) ▪ Totalizer 3 (18)
Heartbeat Technology Transducer Block (TRDHBT)	Parameters for the configuration and comprehensive information about the results of the verification.	No output values
Heartbeat Results 1 Transducer Block (TRDHBTR1)	Information about the results of the verification.	No output values
Heartbeat Results 2 Transducer Block (TRDHBTR2)	Information about the results of the verification.	No output values
Heartbeat Results 3 Transducer Block (TRDHBTR3)	Information about the results of the verification.	No output values
Heartbeat Results 4 Transducer Block (TRDHBTR4)	Information about the results of the verification.	No output values

Function blocks

Block	Number of blocks	Contents	Process variables (Channel)
Resource Block (RB)	1	This Block (extended functionality) contains all the data that uniquely identify the device; it is the equivalent of an electronic nameplate for the device.	–
Analog Input Block (AI)	4	This Block (extended functionality) receives the measurement data provided by the Sensor Block (can be selected via a channel number) and makes the data available for other blocks at the output. Execution time: 13 ms	<ul style="list-style-type: none"> ▪ Temperature (7) ▪ Mass flow (11) ▪ Volume flow (9) ▪ Corrected volume flow (13) ▪ Flow velocity (37) ▪ Energy flow (38) ▪ Calculated saturated steam pressure (45) ▪ Total mass flow (46) ▪ Condensate mass flow (47) ▪ Steam quality (48) ▪ Heat flow difference (49) ▪ Reynolds number (50)
Discrete Input Block (DI)	1	This Block (standard functionality) receives a discrete value (e.g. indicator that measuring range has been exceeded) and makes the value available for other blocks at the output. Execution time: 12 ms	<ul style="list-style-type: none"> ▪ Status switch output (101) ▪ Low flow cutoff (103) ▪ Status verification (105)
PID Block (PID)	1	This Block (standard functionality) acts as a proportional-integral-differential controller and can be used universally for control in the field. It enables cascading and feedforward control. Execution time: 13 ms	–
Multiple Analog Output Block (MAO)	1	This Block (standard functionality) receives several analog values and makes them available for other blocks at the output. Execution time: 11 ms	<p>Channel_0 (121)</p> <ul style="list-style-type: none"> ▪ Value 1: External compensation variables (pressure, gage pressure, density, temperature or second temperature) ▪ Value 2 to 8: Not assigned <p> The compensation variables must be transmitted to the device in the SI basic unit.</p>

Block	Number of blocks	Contents	Process variables (Channel)
Multiple Digital Output Block (MDO)	1	This Block (standard functionality) receives several discrete values and makes them available for other blocks at the output. Execution time: 14 ms	Channel_DO (122) <ul style="list-style-type: none"> ▪ Value 1: Reset totalizer 1 ▪ Value 2: Reset totalizer 2 ▪ Value 3: Reset totalizer 3 ▪ Value 4: Flow override ▪ Value 5: Start heartbeat verification ▪ Value 6: Status switch output ▪ Value 7: Not assigned ▪ Value 8: Not assigned
Integrator Block (IT)	1	This Block (standard functionality) integrates a measured variable over time or totalizes the pulses from a Pulse Input Block. The Block can be used as a totalizer that totalizes until a reset, or as a batch totalizer whereby the integrated value is compared against a target value generated before or during the control routine and generates a binary signal when the target value is reached. Execution time: 16 ms	-

PROFIBUS PA

Manufacturer ID	0x11
Ident number	0x1564
Profile version	3.02
Device description files (GSD, DTM, DD)	Information and files under: <ul style="list-style-type: none"> ▪ www.endress.com ▪ www.profibus.org
Output values (from measuring device to automation system)	<p>Analog input 1 to 4</p> <ul style="list-style-type: none"> ▪ Mass flow ▪ Volume flow ▪ Corrected volume flow ▪ Density ▪ Reference density ▪ Temperature ▪ Pressure ▪ Specific volume ▪ Degree of overheating <p>Digital input 1 to 2</p> <ul style="list-style-type: none"> ▪ Status ▪ Low flow cut off ▪ Switch output <p>Totalizer 1 to 3</p> <ul style="list-style-type: none"> ▪ Mass flow ▪ Volume flow ▪ Corrected volume flow
Input values (from automation system to measuring device)	<p>Analog output External pressure, gage pressure, density, temperature or second temperature (for delta heat measurement)</p> <p>Digital output 1 to 3 (fixed assignment)</p> <ul style="list-style-type: none"> ▪ Digital output 1: switch positive zero return on/off ▪ Digital output 2: switch switch output on/off ▪ Digital output 3: Start verification <p>Totalizer 1 to 3</p> <ul style="list-style-type: none"> ▪ Totalize ▪ Reset and hold ▪ Preset and hold

Supported functions	<ul style="list-style-type: none"> ▪ Identification & Maintenance Simplest device identification on the part of the control system and nameplate ▪ PROFIBUS upload/download Reading and writing parameters is up to ten times faster with PROFIBUS upload/download ▪ Condensed status Simplest and self-explanatory diagnostic information by categorizing diagnostic messages that occur
Configuration of the device address	<ul style="list-style-type: none"> ▪ DIP switches on the I/O electronics module ▪ Local display ▪ Via operating tools (e.g. FieldCare)

Power supply

Terminal assignment

Transmitter

Connection versions

<p style="text-align: right; font-size: small;">A0020738</p>	<p style="text-align: right; font-size: small;">A0020739</p>
<p><i>Maximum number of terminals</i> Terminals 1 to 6: Without integrated overvoltage protection</p>	<p><i>Maximum number of terminals for order code for "Accessory mounted", option NA "Overvoltage protection"</i></p> <ul style="list-style-type: none"> ▪ Terminals 1 to 4: With integrated overvoltage protection ▪ Terminals 5 to 6: Without integrated overvoltage protection
<p>1 Output 1 (passive): supply voltage and signal transmission 2 Output 2 (passive): supply voltage and signal transmission 3 Input (passive): supply voltage and signal transmission 4 Ground terminal for cable shield</p>	

Order code for "Output"	Terminal numbers					
	Output 1		Output 2		Input	
	1 (+)	2 (-)	3 (+)	4 (-)	5 (+)	6 (-)
Option A	4-20 mA HART (passive)		-		-	
Option B ¹⁾	4-20 mA HART (passive)		Pulse/frequency/switch output (passive)		-	
Option C ¹⁾	4-20 mA HART (passive)		4-20 mA (passive)		-	
Option D ^{1) 2)}	4-20 mA HART (passive)		Pulse/frequency/switch output (passive)		4-20 mA current input (passive)	

Order code for "Output"	Terminal numbers					
	Output 1		Output 2		Input	
	1 (+)	2 (-)	3 (+)	4 (-)	5 (+)	6 (-)
Option E ^{1) 3)}	FOUNDATION Fieldbus		Pulse/frequency/switch output (passive)		-	
Option G ^{1) 4)}	PROFIBUS PA		Pulse/frequency/switch output (passive)		-	

- 1) Output 1 must always be used; output 2 is optional.
- 2) The integrated overvoltage protection is not used with option D: Terminals 5 and 6 (current input) are not protected against overvoltage.
- 3) FOUNDATION Fieldbus with integrated reverse polarity protection.
- 4) PROFIBUS PA with integrated reverse polarity protection.

Remote version

In the case of the remote version, the sensor and transmitter are mounted separately from one another and connected by a connecting cable. The sensor is connected via the connection housing while the transmitter is connected via the connection compartment of the wall holder unit.

i The way the transmitter wall holder is connected depends on the measuring device approval and the version of the connecting cable used.

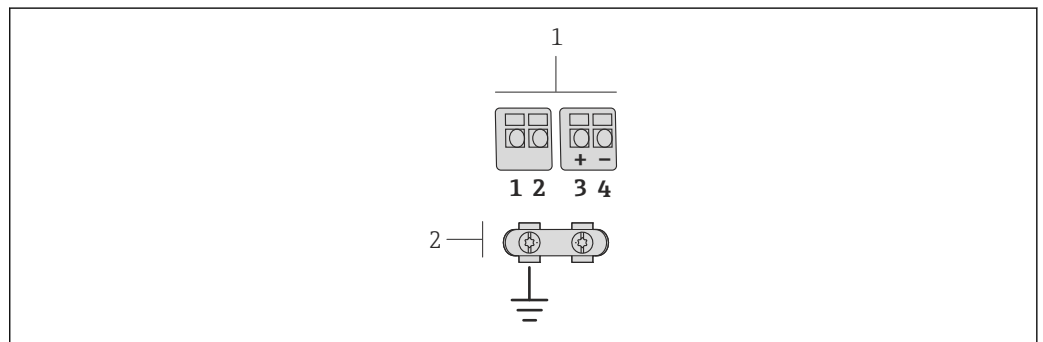
Connection is only possible via terminals:

- For approvals Ex n, Ex tb and cCSAus Div. 1
- If a reinforced connecting cable is used

The connection is via an M12 connector:

- For all other approvals
- If the standard connecting cable is used

Connection to the connection housing of the sensor is always via terminals.

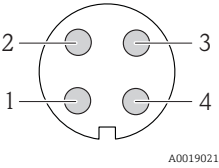


3 Terminals for connection compartment in the transmitter wall holder and the sensor connection housing

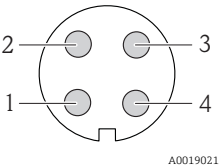
- 1 Terminals for connecting cable
- 2 Grounding via the cable strain relief

Terminal number	Assignment	Cable color Connecting cable
1	Supply voltage	Brown
2	Grounding	White
3	RS485 (+)	Yellow
4	RS485 (-)	Green

Pin assignment, device plug PROFIBUS PA*Device plug for signal transmission (device side)*

	Pin	Assignment		Coding	Plug/socket
	1	+	PROFIBUS PA +	A	Plug
	2		Grounding		
	3	-	PROFIBUS PA -		
4		Not assigned			

FOUNDATION Fieldbus*Device plug for signal transmission (device side)*

	Pin	Assignment		Coding	Plug/socket
	1	+	Signal +	A	Plug
	2	-	Signal -		
	3		Not assigned		
4		Grounding			

Supply voltage**Transmitter**

An external power supply is required for each output.

Supply voltage for a compact version without a local display ¹⁾

Order code for "Output"	Minimum terminal voltage ²⁾	Maximum terminal voltage
Option A: 4-20 mA HART	≥DC 12 V	DC 35 V
Option B: 4-20 mA HART, pulse/frequency/switch output	≥DC 12 V	DC 35 V
Option C: 4-20 mA HART, 4-20 mA	≥DC 12 V	DC 30 V
Option D: 4-20 mA HART, pulse/frequency/switch output, 4-20 mA current input ³⁾	≥DC 12 V	DC 35 V
Option E : FOUNDATION Fieldbus, pulse/frequency/switch output	≥DC 9 V	DC 32 V
Option G: PROFIBUS PA, pulse/frequency/switch output	≥DC 9 V	DC 32 V



- 1) In event of external supply voltage of the power supply unit with load, the PROFIBUS DP/PA coupler or FOUNDATION Fieldbus power conditioners
- 2) The minimum terminal voltage increases if local operation is used: see the following table
- 3) Voltage drop 2.2 to 3 V for 3.59 to 22 mA

Increase in minimum terminal voltage

Local operation	Increase in minimum terminal voltage
Order code for "Display; Operation", option C: Local operation SD02	+ DC 1 V
Order code for "Display; Operation", option E: Local operation SD03 with lighting (backlighting not used)	+ DC 1 V
Order code for "Display; Operation", option E: Local operation SD03 with lighting (backlighting used)	+ DC 3 V

 For information about the load see (→  12)

 Various power supply units can be ordered from Endress+Hauser: see "Accessories" section (→  86)

 For information on the Ex connection values (→  12)

Power consumption

Transmitter

Order code for "Output"	Maximum power consumption
Option A: 4-20 mA HART	770 mW
Option B: 4-20 mA HART, pulse/ frequency/switch output	<ul style="list-style-type: none"> ▪ Operation with output 1: 770 mW ▪ Operation with output 1 and 2: 2 770 mW
Option C: 4-20 mA HART, 4-20 mA	<ul style="list-style-type: none"> ▪ Operation with output 1: 660 mW ▪ Operation with output 1 and 2: 1 320 mW
Option D: 4-20 mA HART, pulse/ frequency/switch output, 4-20 mA current input	<ul style="list-style-type: none"> ▪ Operation with output 1: 770 mW ▪ Operation with output 1 and 2: 2 770 mW ▪ Operation with output 1 and input: 840 mW ▪ Operation with output 1, 2 and input: 2 840 mW
Option E: FOUNDATION Fieldbus, pulse/ frequency/switch output	<ul style="list-style-type: none"> ▪ Operation with output 1: 512 mW ▪ Operation with output 1 and 2: 2 512 mW
Option G: PROFIBUS PA, pulse/frequency/ switch output	<ul style="list-style-type: none"> ▪ Operation with output 1: 512 mW ▪ Operation with output 1 and 2: 2 512 mW

 For information on the Ex connection values (→  12)

Current consumption

Current output

For every 4-20 mA or 4-20 mA HART current output: 3.6 to 22.5 mA

 If the option **Defined value** is selected in the **Failure mode** parameter (→  11):
3.59 to 22.5 mA

Current input

3.59 to 22.5 mA

 Internal current limiting: max. 26 mA

PROFIBUS PA

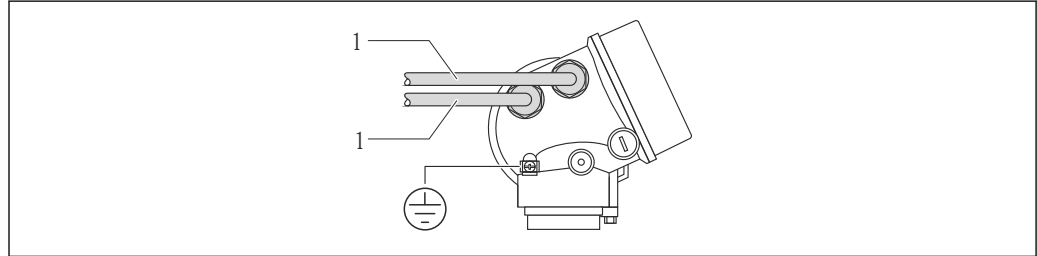
15 mA

FOUNDATION Fieldbus

15 mA

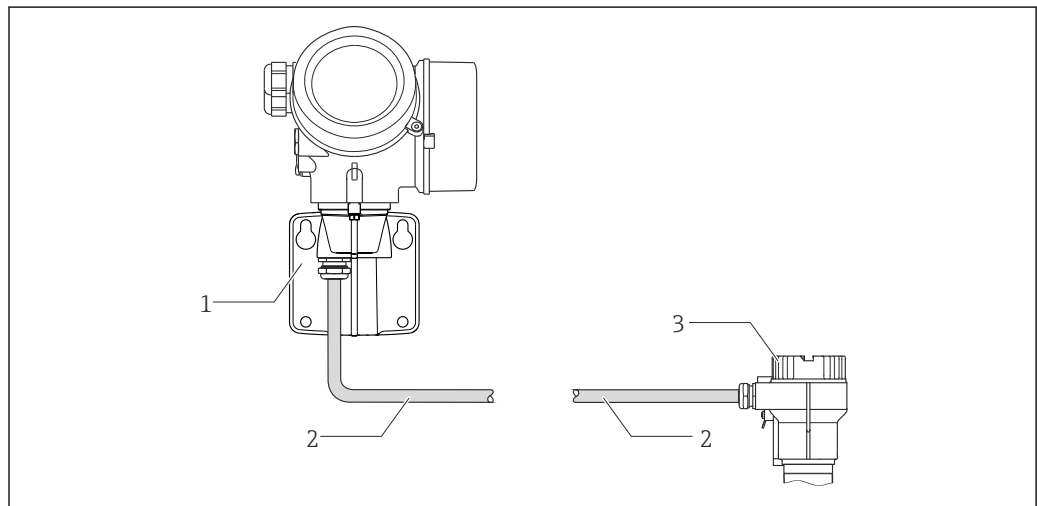
Power supply failure

- Totalizers stop at the last value measured.
- Configuration is retained in the device memory (HistoROM).
- Error messages (incl. total operated hours) are stored.

Electrical connection**Connecting the transmitter**

A0020740

- 1 Cable entries for inputs/outputs

Remote version connection*Connecting cable*

A0019727

- 4 Connecting cable connection

- 1 Wall holder with connection compartment (transmitter)
 2 Connecting cable
 3 Sensor connection housing

i The way the transmitter wall holder is connected depends on the measuring device approval and the version of the connecting cable used.

Connection is only possible via terminals:

- For approvals Ex n, Ex tb and cCSAus Div. 1
- If a reinforced connecting cable is used

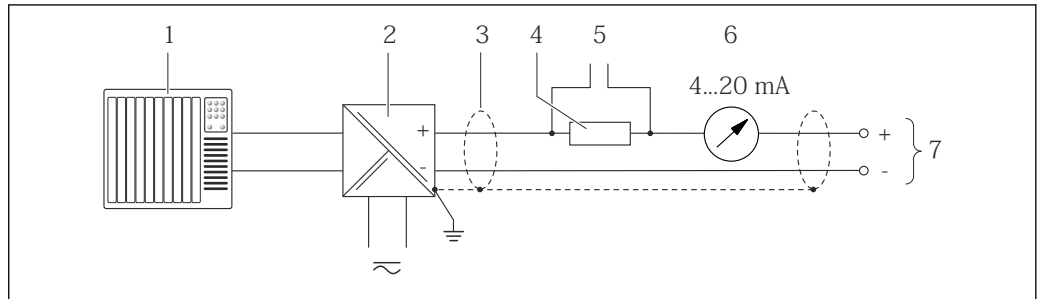
The connection is via an M12 connector:

- For all other approvals
- If the standard connecting cable is used

Connection to the connection housing of the sensor is always via terminals.

Connection examples

Current output 4-20 mA HART

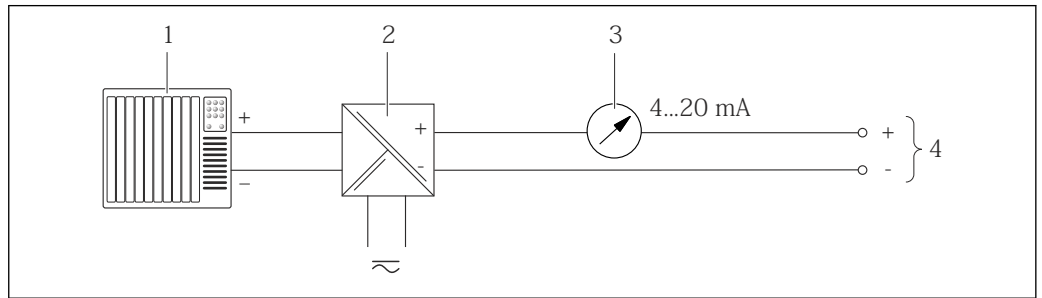


A0015511

5 Connection example for 4-20 mA HART current output (passive)

- 1 Automation system with current input (e.g. PLC)
- 2 Active barrier for power supply (e.g. RN221N) (→ 33)
- 3 Cable shield, observe cable specifications (→ 33)
- 4 Resistor for HART communication ($\geq 250 \Omega$): observe maximum load (→ 12)
- 5 Connection for HART operating devices (→ 76)
- 6 Analog display unit: observe maximum load (→ 12)
- 7 Transmitter

Current output 4-20 mA

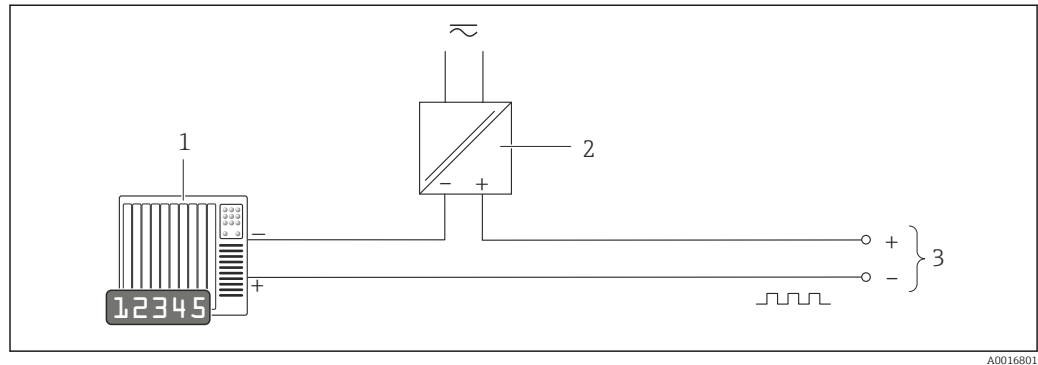


A0015512

6 Connection example for 4-20 mA current output (passive)

- 1 Automation system with current input (e.g. PLC)
- 2 Active barrier for power supply (e.g. RN221N) (→ 26)
- 3 Analog display unit: observe maximum load (→ 12)
- 4 Transmitter

Pulse/frequency output

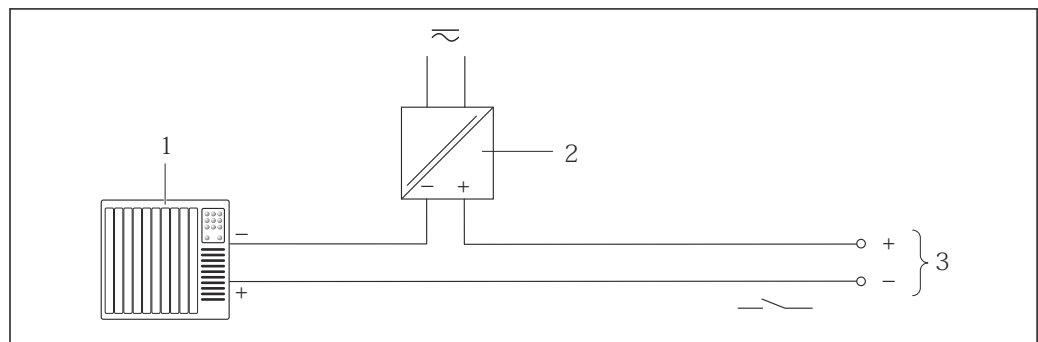


A0016801

7 Connection example for pulse/frequency output (passive)

- 1 Automation system with pulse/frequency input (e.g. PLC)
- 2 Power supply
- 3 Transmitter: observe input values (\rightarrow 9)

Switch output

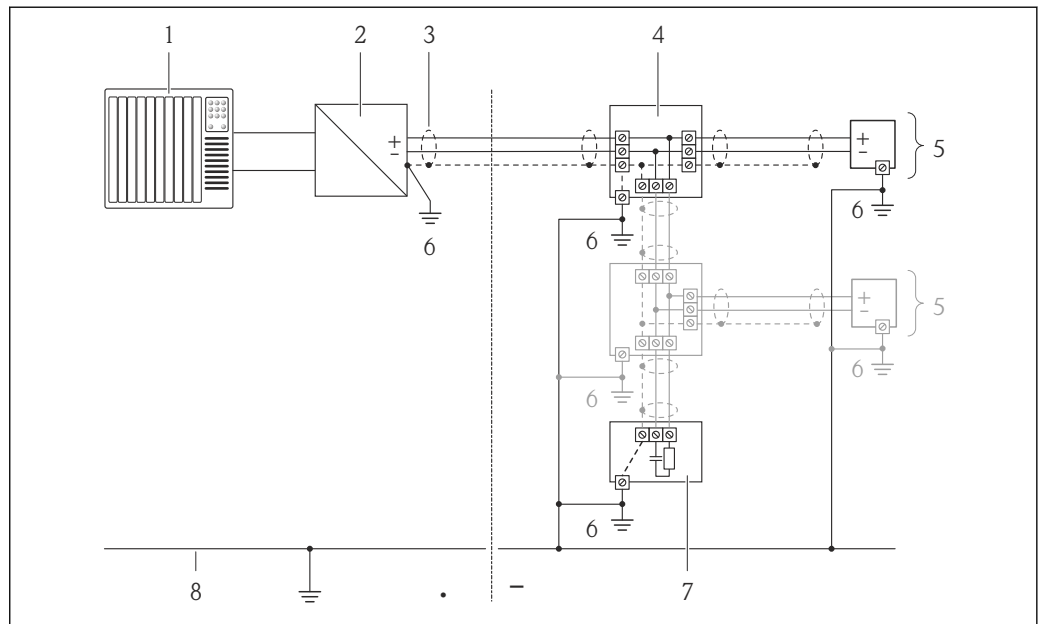


A0016802

8 Connection example for switch output (passive)

- 1 Automation system with switch input (e.g. PLC)
- 2 Power supply
- 3 Transmitter: observe input values (\rightarrow 9)

PROFIBUS-PA

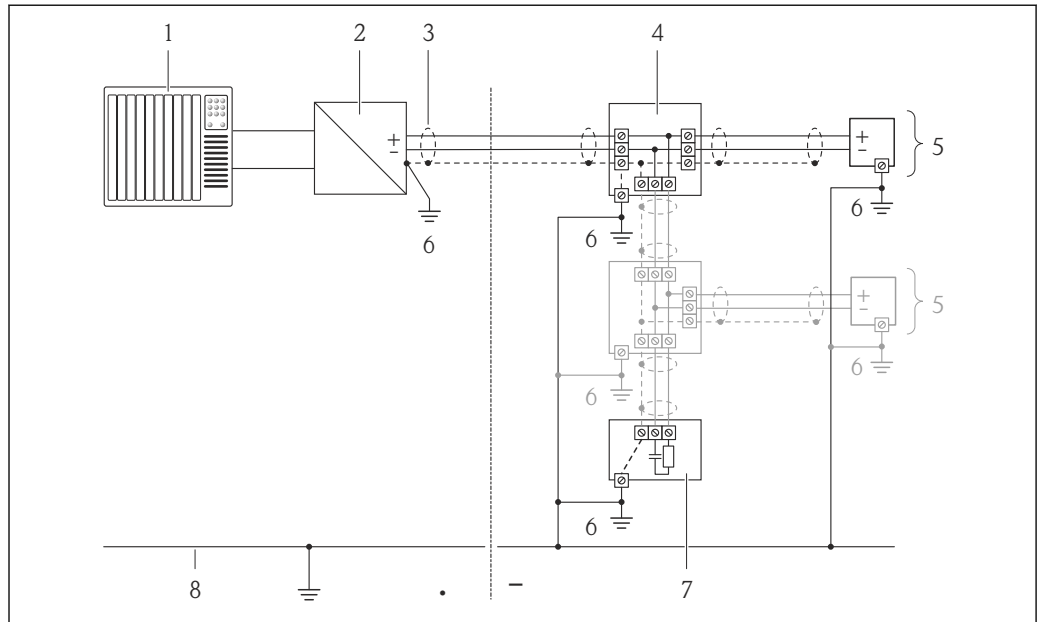


A0019004

9 Connection example for PROFIBUS-PA

- 1 Control system (e.g. PLC)
- 2 Segment coupler PROFIBUS DP/PA
- 3 Cable shield
- 4 T-box
- 5 Measuring device
- 6 Local grounding
- 7 Bus terminator
- 8 Potential matching line

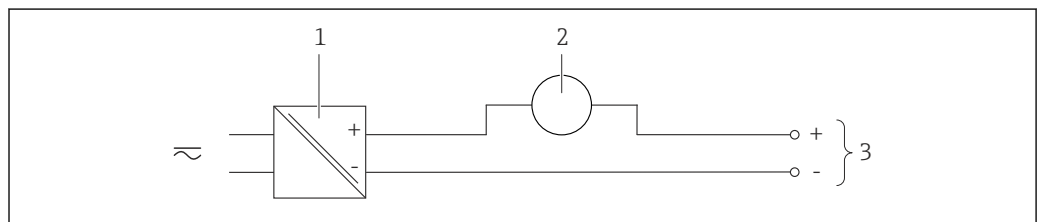
FOUNDATION Fieldbus



10 Connection example for FOUNDATION Fieldbus

- 1 Control system (e.g. PLC)
- 2 Power Conditioner (FOUNDATION Fieldbus)
- 3 Cable shield
- 4 T-box
- 5 Measuring device
- 6 Local grounding
- 7 Bus terminator
- 8 Potential matching line

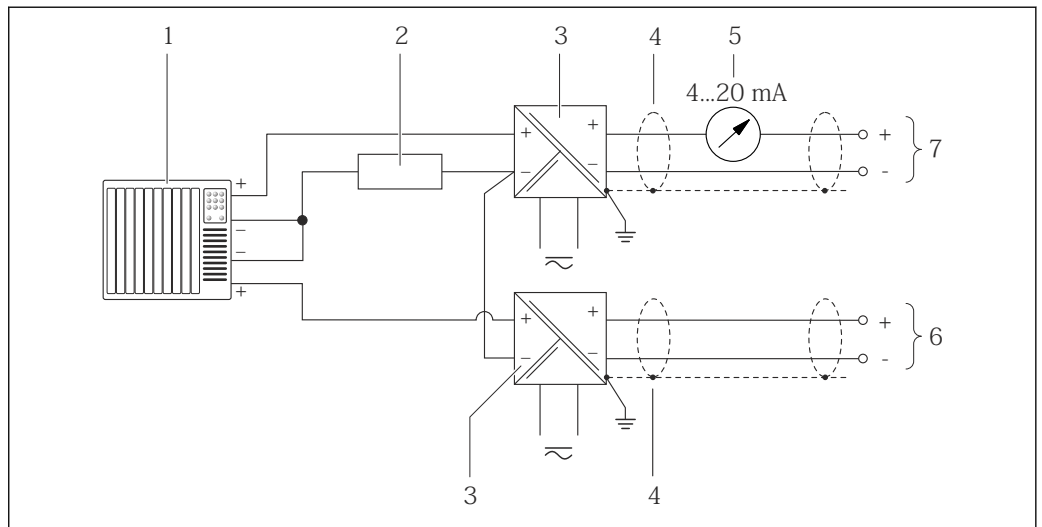
Current input



11 Connection example for 4-20 mA current input

- 1 Power supply
- 2 External measuring device (for reading in pressure or temperature, for instance)
- 3 Transmitter: observe input values (→ 9)

HART input



12 Connection example for HART input with a common negative

- 1 Automation system with HART output (e.g. PLC)
- 2 Resistor for HART communication ($\geq 250 \Omega$): observe maximum load (\rightarrow 12)
- 3 Active barrier for power supply (e.g. RN221N) (\rightarrow 26)
- 4 Cable shield, observe cable specifications (\rightarrow 33)
- 5 Analog display unit: observe maximum load (\rightarrow 12)
- 6 Pressure transmitter (e.g. Cerabar M, Cerabar S): see requirements (\rightarrow 8)
- 7 Transmitter

Potential equalization

Requirements

Please consider the following to ensure correct measurement:

- Same electrical potential for the fluid and sensor
- Remote version: same electrical potential for the sensor and transmitter
- Company-internal grounding concepts
- Pipe material and grounding

For devices intended for use in hazardous locations, please observe the guidelines in the Ex documentation (XA).

Terminals

- For device version without integrated overvoltage protection: plug-in spring terminals for wire cross-sections 0.5 to 2.5 mm² (20 to 14 AWG)
- For device version with integrated overvoltage protection: screw terminals for wire cross-sections 0.2 to 2.5 mm² (24 to 14 AWG)

Cable entries

- Cable gland (not for Ex d): M20 \times 1.5 with cable ϕ 6 to 12 mm (0.24 to 0.47 in)
- Thread for cable entry:
 - For non-Ex and Ex: NPT 1/2"
 - For non-Ex and Ex (not for CSA Ex d/XP): G 1/2"
 - For Ex d: M20 \times 1.5

Cable specification

Permitted temperature range

- -40 °C (-40 °F) to +80 °C (+176 °F)
- Minimum requirement: cable temperature range \geq ambient temperature +20 K

Signal cable

Current output

For 4-20 mA HART: Shielded cable recommended. Observe grounding concept of the plant.

Pulse/frequency/switch output

Standard installation cable is sufficient.

Current input

Standard installation cable is sufficient.

FOUNDATION Fieldbus

Twisted, shielded two-wire cable.



For further information on planning and installing FOUNDATION Fieldbus networks see:

- Operating Instructions for "FOUNDATION Fieldbus Overview" (BA00013S)
- FOUNDATION Fieldbus Guideline
- IEC 61158-2 (MBP)

PROFIBUS PA

Twisted, shielded two-wire cable. Cable type A is recommended.



For further information on planning and installing PROFIBUS PA networks see:

- Operating Instructions "PROFIBUS DP/PA: Guidelines for planning and commissioning" (BA00034S)
- PNO Directive 2.092 "PROFIBUS PA User and Installation Guideline"
- IEC 61158-2 (MBP)

Connecting cable for remote version*Connecting cable (standard)*

Standard cable	4 × 2 × 0.34 mm ² (22 AWG) PVC cable with common shield (4 pairs, pair-stranded)
Flame resistance	According to DIN EN 60332-1-2
Oil-resistance	According to DIN EN 60811-2-1
Shielding	Galvanized copper-braid, opt. density approx. 85%
Cable length	5 m (16 ft), 10 m (32 ft), 20 m (65 ft), 30 m (98 ft)
Operating temperature	When mounted in a fixed position: -50 to +105 °C (-58 to +221 °F); when cable can move freely: -25 to +105 °C (-13 to +221 °F)

Connecting cable (reinforced)

Cable, reinforced	4 × 2 × 0.34 mm ² (22 AWG) PVC cable with common shield (4 pairs, pair-stranded) and additional steel-wire braided sheath
Flame resistance	According to DIN EN 60332-1-2
Oil-resistance	According to DIN EN 60811-2-1
Shielding	Galvanized copper-braid, opt. density approx. 85%
Strain relief and reinforcement	Steel-wire braid, galvanized
Cable length	5 m (16 ft), 10 m (32 ft), 20 m (65 ft), 30 m (98 ft)
Operating temperature	When mounted in a fixed position: -50 to +105 °C (-58 to +221 °F); when cable can move freely: -25 to +105 °C (-13 to +221 °F)

Overvoltage protection

The device can be ordered with integrated overvoltage protection for diverse approvals:
Order code for "Accessory mounted", option NA "Overvoltage protection"

Input voltage range	Values correspond to supply voltage specifications (→ 26) ¹⁾
Resistance per channel	2 · 0.5 Ω max
DC sparkover voltage	400 to 700 V
Trip surge voltage	<800 V
Capacitance at 1 MHz	<1.5 pF

Nominal discharge current (8/20 μ s)	10 kA
Temperature range	-40 to +85 °C (-40 to +185 °F)

1) The voltage is reduced by the amount of the internal resistance $I_{min} \cdot R_i$

i Depending on the temperature class, restrictions apply to the ambient temperature for device versions with overvoltage protection (\rightarrow 44)

Performance characteristics

Reference operating conditions

- Error limits following ISO/DIN 11631
- +20 to +30 °C (+68 to +86 °F)
- 2 to 4 bar (29 to 58 psi)
- Calibration system traceable to national standards
- Calibration with the process connection corresponding to the particular standard

i To obtain measured errors, use the *Applicator* sizing tool (\rightarrow 85)

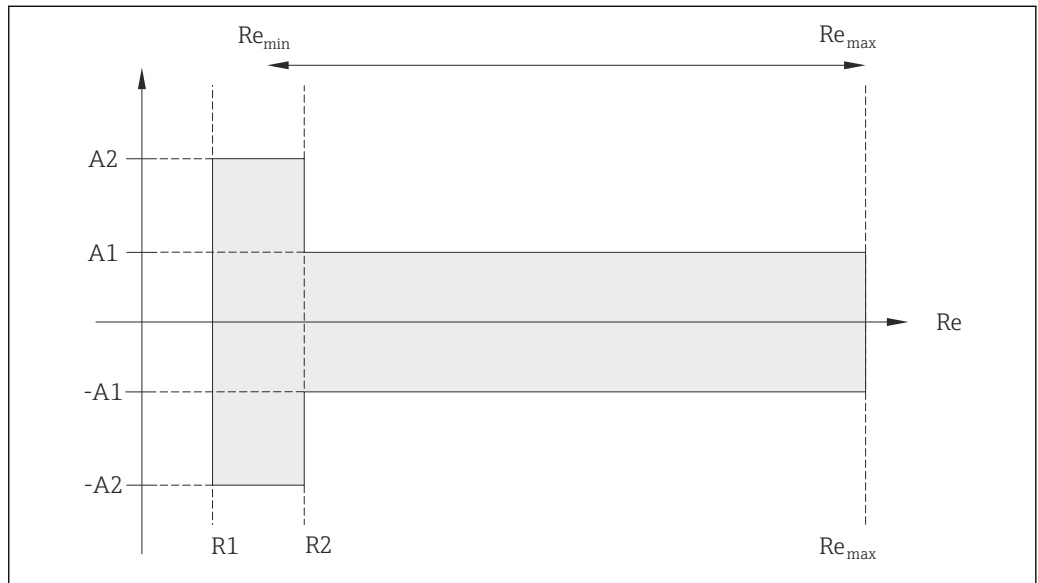
Maximum measured error

Base accuracy

o.r. = of reading, Re = Reynolds number

Volume flow

The measured error for the volume flow is as follows depending on the Reynolds number and the compressibility of the medium under measurement:



A0019703

Deviation of volume flow value (absolute) from the reading			
Medium type		Incompressible	Compressible ¹⁾
Re range	Measured value deviation	Standard	Standard
R1 to R2	A2	< 10 %	< 10 %
R2 to Re _{max}	A1	< 0.75 %	< 1.0 %

1) Accuracy specifications valid up to 75 m/s (246 ft/s)

Reynolds numbers	Incompressible	Compressible
	Standard	Standard
R1	5 000	
R2	20 000	


Temperature

- Saturated steam and liquids at room temperature if $T > 100\text{ °C}$ (212 °F) applies: $< 1\text{ °C}$ (1.8 °F)
- Gas: $< 1\text{ % o.r. [K]}$

Rise time 50 % (stirred under water, following IEC 60751): 8 s

Mass flow (saturated steam)

- Flow velocities 20 to 50 m/s (66 to 164 ft/s), $T > 150\text{ °C}$ (302 °F) or (423 K)
 - Re $> 20\,000$: $< 1.7\text{ % o.r.}$
 - Re between 5 000 to 20 000: $< 10\text{ % o.r.}$
- Flow velocities 10 to 70 m/s (33 to 210 ft/s), $T > 140\text{ °C}$ (284 °F) or (413 K)
 - Re $> 20\,000$: $< 2\text{ % o.r.}$
 - Re between 5 000 to 20 000: $< 10\text{ % o.r.}$

 The use of a Cerabar S is required for the measured errors listed in the following section. The measured error used to calculate the error in the measured pressure is 0.15%.

Mass flow of superheated steam and gas (single gas, gas mixture, air: NEL40; natural gas: ISO 12213-2 contains AGA8-DC92, AGA NX-19, ISO 12213-3 contains SGERG-88 and AGA8 Gross Method 1)

- Re $> 20\,000$ and process pressure $< 40\text{ bar abs.}$ (580 psi abs.): 1.7 % o.r.
- Re between 5 000 to 20 000 and process pressure $< 40\text{ bar abs.}$ (580 psi abs.): 10 % o.r.
- Re $> 20\,000$ and process pressure $< 120\text{ bar abs.}$ (1 740 psi abs.): 2.6 % o.r.
- Re between 5 000 to 20 000 and process pressure $< 120\text{ bar abs.}$ (1 740 psi abs.): 10 % o.r.

abs. = absolute

Mass flow (water)

- Re 20 000: $< 0.85\text{ % o.r.}$
- Re between 5 000 to 20 000: $< 10\text{ % o.r.}$

Mass flow (user-defined liquids)

To specify the system accuracy, Endress+Hauser requires information about the type of liquid and its operating temperature or information in table form about the dependency between the liquid density and the temperature.

Example

- Acetone is to be measured at fluid temperatures between $+70$ to $+90\text{ °C}$ ($+158$ to $+194\text{ °F}$).
- For this purpose the **Reference temperature** parameter (7703) (here 80 °C (176 °F)), **Reference density** parameter (7700) (here 720.00 kg/m^3) and **Linear expansion coefficient** parameter (7621) (here $18.0298 \times 10^{-4}\text{ 1/°C}$) must be entered in the transmitter.
- The overall system uncertainty, which is smaller than 0.9 % for the example above, is comprised of the following uncertainties of measurement: uncertainty of volume flow measurement, uncertainty of temperature measurement, uncertainty of the density-temperature correlation used (incl. the resulting uncertainty of density).

Mass flow (other media)

Depends on the selected fluid and the pressure value, which is specified in the parameters. Individual error analysis must be performed.

Diameter mismatch correction

Prowirl 200 can correct shifts in the calibration factor which are caused, for example, by diameter mismatch between the device flange (e.g. ASME B16.5/Sch. 80, DN 50 (2")) and the mating pipe (e.g. ASME B16.5/Sch. 40, DN 50 (2")). Only apply diameter mismatch correction within the following limit values (listed below) for which test measurements have also been performed.

Flange connection:


- DN 15 (½"): $\pm 20\text{ %}$ of the internal diameter
- DN 25 (1"): $\pm 15\text{ %}$ of the internal diameter
- DN 40 (1½"): $\pm 12\text{ %}$ of the internal diameter
- DN ≥ 50 (2"): $\pm 10\text{ %}$ of the internal diameter

If the standard internal diameter of the ordered process connection differs from the internal diameter of the mating pipe, an additional measuring uncertainty of approx. 2 % o.r. must be expected.

Example

Influence of the diameter mismatch without using the correction function:

- Mating pipe DN 100 (4"), schedule 80
- Device flange DN 100 (4"), schedule 40
- This installation position results in a diameter mismatch of 5 mm (0.2 in). If the correction function is not used, an additional measuring uncertainty of approx. 2 % o.r. must be expected.

 For detailed information about diameter mismatch correction, refer to the Operating Instructions (->  87)

Accuracy of outputs

o.r. = of reading

Current output

Accuracy	±10 µA
-----------------	--------

Pulse/frequency output

Accuracy	Max. ±100 ppm o.r.
-----------------	--------------------

Repeatability

o.r. = of reading

±0.2 % o.r.

Response time

If all the configurable functions for filter times (flow damping, display damping, current output time constant, frequency output time constant, status output time constant) are set to 0, in the event of vortex frequencies of 10 Hz and higher a response time of max(T_v , 100 ms) can be expected.

In the event of measuring frequencies < 10 Hz, the response time is > 100 ms and can be up to 10 s. T_v is the average vortex period duration of the flowing fluid.

Influence of ambient temperature

o.r. = of reading

Current output

Additional error, in relation to the span of 16 mA:

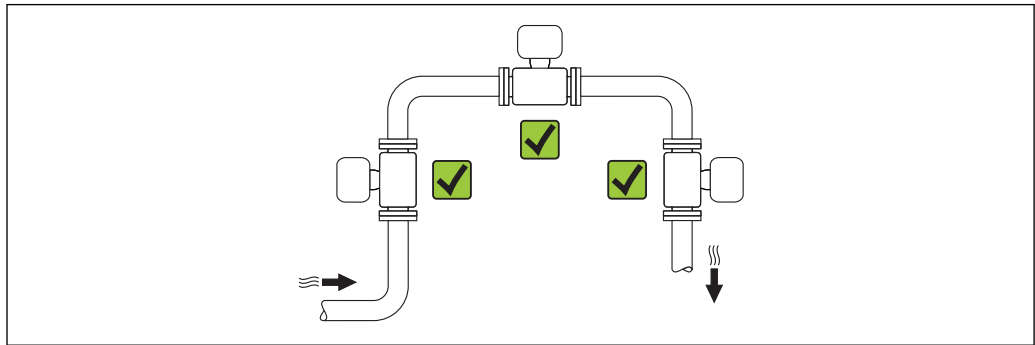
Temperature coefficient at zero point (4 mA)	0.02 %/10 K
Temperature coefficient with span (20 mA)	0.05 %/10 K

Pulse/frequency output

Temperature coefficient	Max. ±100 ppm o.r.
--------------------------------	--------------------

Installation

Mounting location



A0015543

Orientation

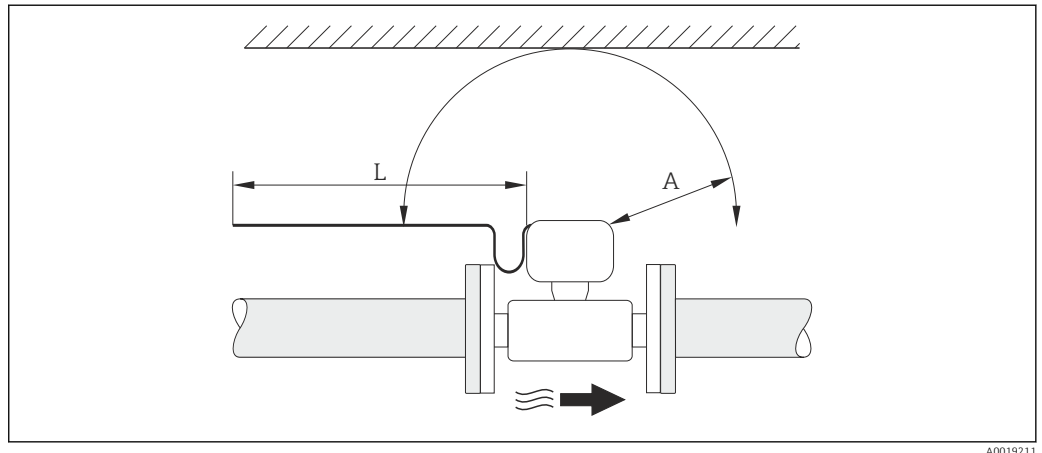
The direction of the arrow on the sensor nameplate helps you to install the sensor according to the flow direction (direction of medium flow through the piping).

Vortex meters require a fully developed flow profile as a prerequisite for correct volume flow measurement. Therefore, please note the following:

Orientation		Compact version	Remote version
A	Vertical orientation	✓✓ ¹⁾	✓✓
B	Horizontal orientation, transmitter head up	✓✓ ^{2) 3)}	✓✓
C	Horizontal orientation, transmitter head down	✓✓ ^{4) 5)}	✓✓
D	Horizontal orientation, transmitter head at side	✓✓ ⁴⁾	✓✓

- 1) In the case of liquids, there should be upward flow in vertical pipes to avoid partial pipe filling (Fig. A). Disruption in flow measurement! In the case of vertical orientation and downward flowing liquid, the pipe always needs to be completely filled to ensure correct liquid flow measurement.
- 2) Danger of electronics overheating! If the fluid temperature is $\geq 200\text{ °C}$ (392 °F) orientation B is not permitted for the wafer version (Prowirl D) with nominal diameters DN 100 (4") and DN 150 (6").
- 3) In the case of hot media (e.g. steam or fluid temperature (TM) $\geq 200\text{ °C}$ (392 °F): orientation C or D
- 4) In the case of very cold media (e.g. liquid nitrogen): orientation B or D
- 5) For "wet steam detection/measurement" option: orientation C

Minimum spacing and cable length



- A Minimum spacing in all directions
- L Required cable length

The following dimensions must be observed to guarantee problem-free access to the device for service purposes:

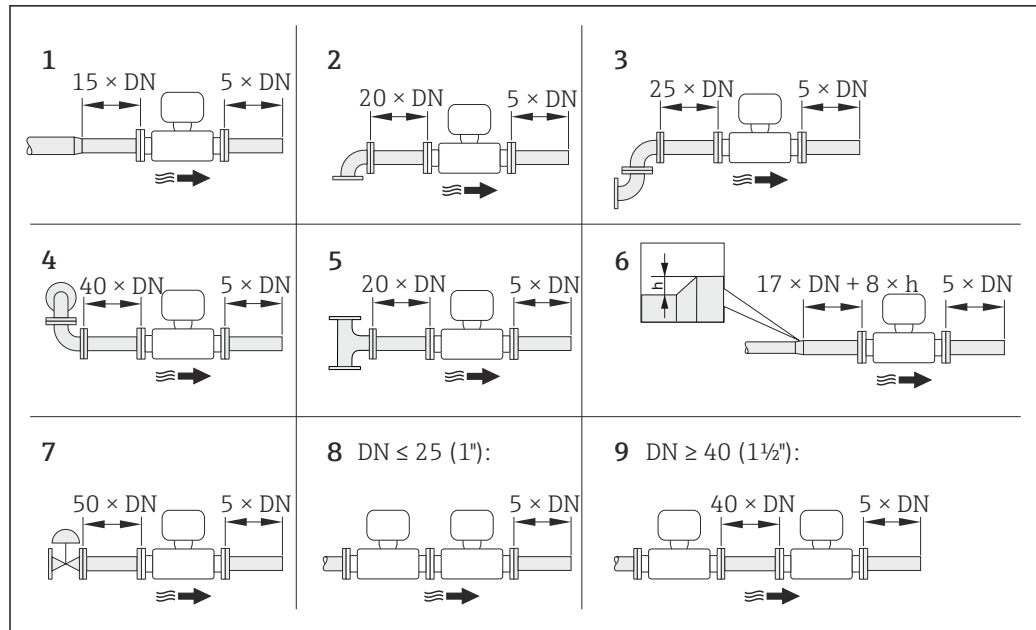
- A = 100 mm (3.94 in)
- L = L + 150 mm (5.91 in)

Rotating the electronics housing and the display

The electronics housing can be rotated continuously by 360 ° on the housing support. The display unit can be rotated in 45 ° stages. This means you can read the display comfortably from all directions.

Inlet and outlet runs

To attain the specified level of accuracy of the measuring device, the inlet and outlet runs mentioned below must be maintained at the very minimum.



A0019189

13 Minimum inlet and outlet runs with various flow obstructions

h Difference in expansion

1 Reduction by one nominal diameter size

2 Single elbow (90° elbow)

3 Double elbow (2 × 90° elbows, opposite)

4 Double elbow 3D (2 × 90° elbows, opposite, not on one plane)

5 T-piece

6 Expansion

7 Control valve

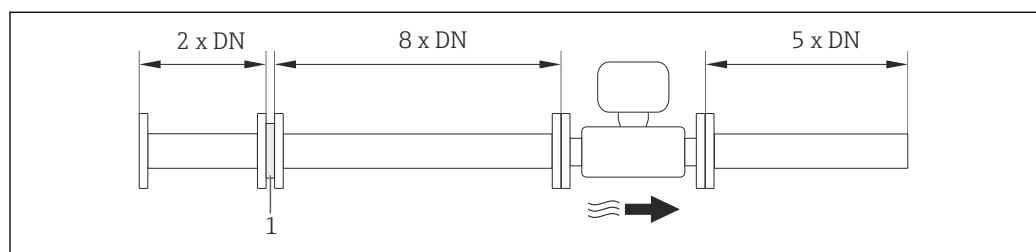
8 Two measuring devices in a row where $DN \leq 25$ (1''): directly flange on flange

9 Two measuring devices in a row where $DN \geq 40$ (1 1/2''): for spacing, see graphic

- i** If there are several flow disturbances present, the longest specified inlet run must be maintained.
- If the required inlet runs cannot be observed, it is possible to install a specially designed flow conditioner (→ 43).

Flow conditioner

If the required inlet runs cannot be observed, it is possible to install a specially designed flow conditioner which can be ordered from Endress+Hauser. The flow conditioner is fitted between two pipe flanges and centered by the mounting bolts. Generally this reduces the inlet run needed to $10 \times DN$ with full accuracy.



A0019208

1 Flow conditioner

The pressure loss for flow conditioners is calculated as follows: Δp [mbar] = $0.0085 \cdot \rho$ [kg/m³] · v² [m/s]

Example for steam

$p = 10$ bar abs.

Example for H₂O condensate (80 °C)

$\rho = 965$ kg/m³

$$t = 240\text{ °C} \rightarrow \rho = 4.39\text{ kg/m}^3$$

$$v = 2.5\text{ m/s}$$

$$v = 40\text{ m/s}$$

$$\Delta p = 0.0085 \cdot 965 \cdot 2.5^2 = 51.3\text{ mbar}$$

$$\Delta p = 0.0085 \cdot 4.39 \cdot 40^2 = 59.7\text{ mbar}$$

ρ : density of the process medium

v: average flow velocity

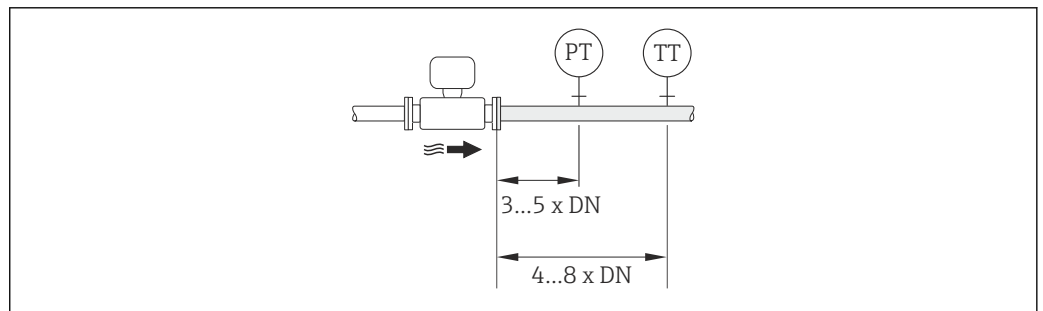
abs. = absolute



For information on the flow conditioner (\rightarrow 69)

Outlet runs when installing external devices

If installing an external device, observe the specified distance.



A0019205

PT Pressure transmitter

TT Temperature transmitter

Length of connecting cable

To ensure correct measuring results when using the remote version,

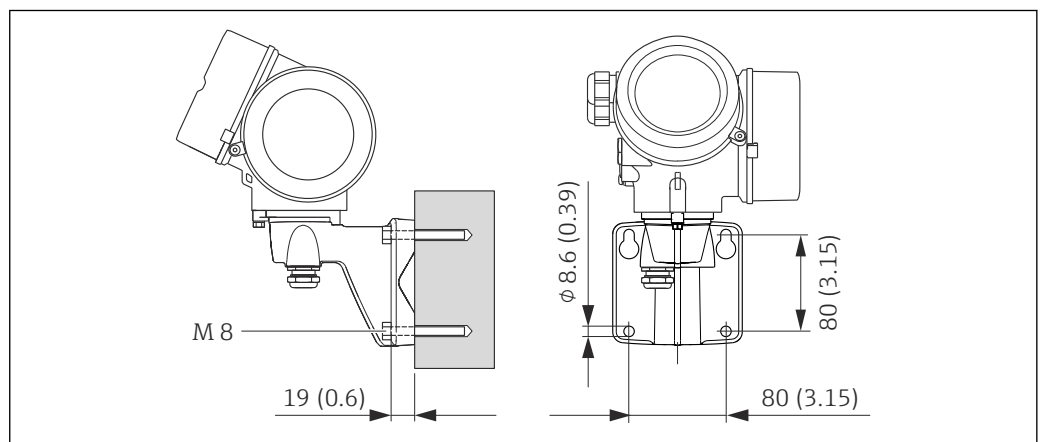
- observe the maximum permitted cable length L_{max} .
- The value for the cable length must be calculated if the cable cross-section differs from the specification.



For detailed information about calculating the length of the connecting cable, refer to the Operating Instructions for the device on the CD-ROM provided

Installing the wall-mount housing

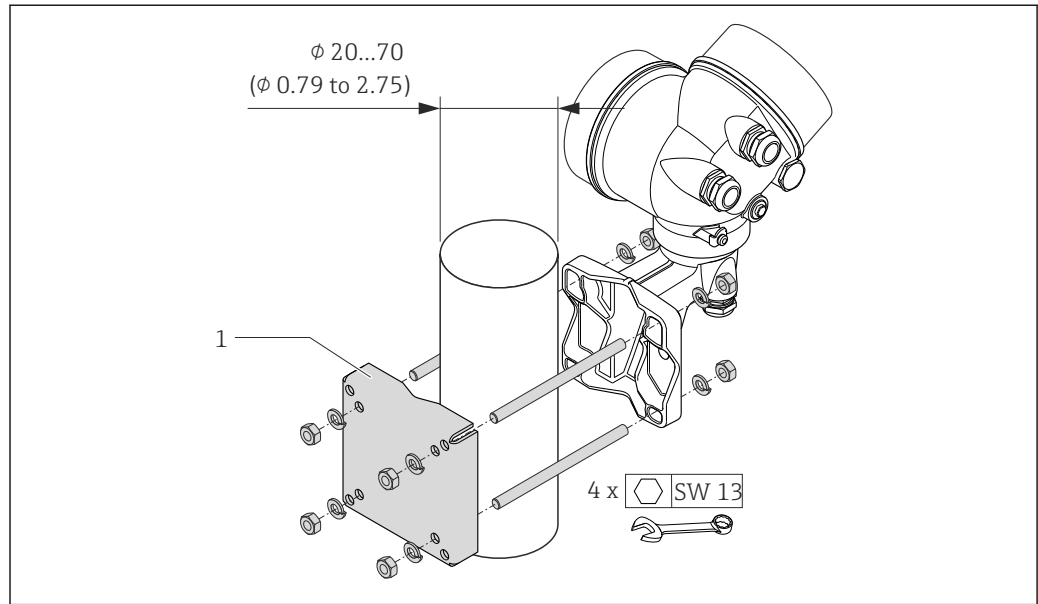
Wall mounting



A0019864

14 Engineering unit mm (in)

Post mounting



15 Engineering unit mm (in)

1 Post retainer kit for post mounting

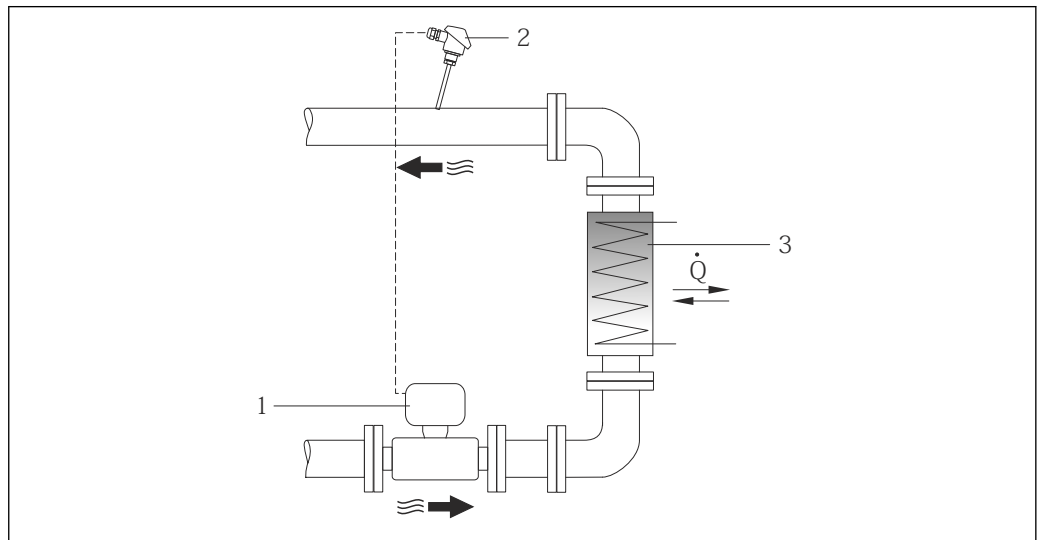
Special mounting instructions

Installation for delta heat measurements

Order code for "Sensor version", option 3 "Mass flow (integrated temperature measurement)"

The second temperature measurement is taken using a separate temperature sensor. The measuring device reads in this value via a communication interface.

- In the case of saturated steam delta heat measurements, the Prowirl 200 must be installed on the steam side.
- In the case of water delta heat measurements, the Prowirl 200 can be installed on the cold or warm side.





A0019209

16 Layout for delta heat measurement of saturated steam and water

- 1 Prowirl
- 2 Temperature sensor
- 3 Heat exchanger
- Q Heat flow

Weather protection cover

Observe the following minimum head clearance: 222 mm (8.74 in)

 For information the weather protection cover, see (→  84)

Environment

Ambient temperature range

Compact version

Measuring device	Non-Ex:	-40 to +80 °C (-40 to +176 °F) ¹⁾
	Ex i:	-40 to +70 °C (-40 to +158 °F) ¹⁾
	EEx d/XP version:	-40 to +60 °C (-40 to +140 °F) ¹⁾
	ATEX II1/2G Ex d, Ex ia:	-40 to +60 °C (-40 to +140 °F) ¹⁾
Local display		-20 to +60 °C (-4 to +140 °F)

1) Additionally available as order code for "Test, certificate", option JN "Transmitter ambient temperature -50 °C (-58 °F)".

Remote version

Transmitter	Non-Ex:	-40 to +80 °C (-40 to +176 °F) ¹⁾
	Ex i:	-40 to +80 °C (-40 to +176 °F) ¹⁾
	Ex d:	-40 to +60 °C (-40 to +140 °F) ¹⁾
	ATEX II1/2G Ex d, Ex ia:	-40 to +60 °C (-40 to +140 °F) ¹⁾
Sensor	Non-Ex:	-40 to +85 °C (-40 to +185 °F) ¹⁾
	Ex i:	-40 to +85 °C (-40 to +185 °F) ¹⁾
	Ex d:	-40 to +85 °C (-40 to +185 °F) ¹⁾
	ATEX II1/2G Ex d, Ex ia:	-40 to +85 °C (-40 to +185 °F) ¹⁾
Local display		-20 to +60 °C (-4 to +140 °F)

- 1) Additionally available as order code for "Test, certificate", option JN "Transmitter ambient temperature -50 °C (-58 °F)".

- If operating outdoors:
Avoid direct sunlight, particularly in warm climatic regions.

 Weather protection covers can be ordered from Endress+Hauser: see "Accessories" section (→  84)

Temperature tables

T_m = fluid temperature, T_a = ambient temperature

The following interdependencies between the permitted ambient and fluid temperatures apply when operating the device in hazardous areas:

Compact version

Order code for "Sensor version", option 4 "Volume flow Alloy 718"; option 5 "Volume flow titanium"; option 6 "Mass flow Alloy 718"

Order code for "Output", option A "4-20mA HART"

Order code for "Approval", all options

- Ex d, Ex ia, Ex ic, Ex nA, Ex tb
- cCSA_{US} IS, cCSA_{US} XP, cCSA_{US} NI

SI units

Version with max. $T_m = 280$ °C						
T_a ¹⁾ [°C]	T6 [85 °C]	T5 [100 °C]	T4 [135 °C]	T3 [200 °C]	T2 [300 °C]	T1 [450 °C]
40	80	95	130	195	280	-
60	-	95	130	195	280	-
65	-	-	130	195	280	-
70	-	-	130	-	-	-

- 1) The following applies for installations with overvoltage protection in conjunction with temperature class T5, T6 and approval options BA, BB, BD, BH, BJ, B2, IA, IB, ID, IH, JJ, I4, C2: $T_a = T_m - 2$ °C

US units

Version with max. $T_m = 536$ °F						
T_a ¹⁾ [°F]	T6 [185 °F]	T5 [212 °F]	T4 [275 °F]	T3 [392 °F]	T2 [572 °F]	T1 [842 °F]
104	176	203	266	383	536	-
140	-	203	266	383	536	-

Version with max. $T_m = 536 \text{ }^\circ\text{F}$						
T_a ¹⁾ [°F]	T6 [185 °F]	T5 [212 °F]	T4 [275 °F]	T3 [392 °F]	T2 [572 °F]	T1 [842 °F]
149	-	-	266	383	536	-
158	-	-	266	-	-	-

- 1) The following applies for installations with overvoltage protection in conjunction with temperature class T5, T6 and approval options BA, BB, BD, BH, BJ, B2, IA, IB, ID, IH, IJ, I4, C2: $T_a = T_m - 35.6 \text{ }^\circ\text{F}$

Order code for "Output", option B "4-20mA HART, pulse/frequency/switch output"

Order code for "Approval", options BA, BB, BD, BH, BJ, B2, IA, IB, ID, IH, IJ, I4, C2

- Ex ia, Ex ic, Ex tb
- cCSA_{US} IS

SI units

Version with max. $T_m = 280 \text{ }^\circ\text{C}$						
T_a ¹⁾ [°C]	T6 [85 °C]	T5 [100 °C]	T4 [135 °C]	T3 [200 °C]	T2 [300 °C]	T1 [450 °C]
35 ²⁾	80	95	130	195	280	-
50 ³⁾	-	95	130	195	280	-
60	-	-	130	195	280	-
65	-	-	130	195	280 ⁴⁾	-
70	-	-	130	195 ⁵⁾	280 ⁵⁾	-

- 1) The following applies for installations with overvoltage protection in conjunction with temperature class T5, T6 and approval options BA, BB, BD, BH, BJ, B2, IA, IB, ID, IH, IJ, I4, C2: $T_a = T_m - 2 \text{ }^\circ\text{C}$
- 2) $T_a = 40 \text{ }^\circ\text{C}$ for pulse/frequency/switch output $P_i = 0.85 \text{ W}$
- 3) $T_a = 55 \text{ }^\circ\text{C}$ for pulse/frequency/switch output $P_i = 0.85 \text{ W}$
- 4) $T_a = 65 \text{ }^\circ\text{C}$ for pulse/frequency/switch output $P_i = 0.7 \text{ W}$
- 5) $T_a = 70 \text{ }^\circ\text{C}$ for pulse/frequency/switch output $P_i = 0.7 \text{ W}$

US units

Version with max. $T_m = 536 \text{ }^\circ\text{F}$						
T_a ¹⁾ [°F]	T6 [185 °F]	T5 [212 °F]	T4 [275 °F]	T3 [392 °F]	T2 [572 °F]	T1 [842 °F]
95 ²⁾	176	203	266	383	536	-
122 ³⁾	-	203	266	383	536	-
140	-	-	266	383	536	-
149	-	-	266	383	536 ⁴⁾	-
158	-	-	266	383 ⁵⁾	536 ⁵⁾	-

- 1) The following applies for installations with overvoltage protection in conjunction with temperature class T5, T6 and approval options BA, BB, BD, BH, BJ, B2, IA, IB, ID, IH, IJ, I4, C2: $T_a = T_m - 35.6 \text{ }^\circ\text{F}$
- 2) $T_a = 104 \text{ }^\circ\text{F}$ for pulse/frequency/switch output $P_i = 0.85 \text{ W}$
- 3) $T_a = 131 \text{ }^\circ\text{F}$ for pulse/frequency/switch output $P_i = 0.85 \text{ W}$
- 4) $T_a = 149 \text{ }^\circ\text{F}$ for pulse/frequency/switch output $P_i = 0.7 \text{ W}$
- 5) $T_a = 158 \text{ }^\circ\text{F}$ for pulse/frequency/switch output $P_i = 0.7 \text{ W}$

Order code for "Approval", options BC, BG, BK, B3, IC, IG, IK, I5, C3

- Ex d, Ex nA, Ex tb
- cCSA_{US} XP

SI units

Version with max. $T_m = 280\text{ °C}$						
T_a [°C]	T6 [85 °C]	T5 [100 °C]	T4 [135 °C]	T3 [200 °C]	T2 [300 °C]	T1 [450 °C]
40	80	95	130	195	280	-
55	-	95	130	195	280	-
65	-	-	130	195	280 ¹⁾	-
70	-	-	130	195 ²⁾	280 ²⁾	-

- 1) $T_a = 65\text{ °C}$ for pulse/frequency/switch output $P_i = 0.7\text{ W}$
 2) $T_a = 70\text{ °C}$ for pulse/frequency/switch output $P_i = 0.7\text{ W}$

US units

Version with max. $T_m = 536\text{ °F}$						
T_a [°F]	T6 [185 °F]	T5 [212 °F]	T4 [275 °F]	T3 [392 °F]	T2 [572 °F]	T1 [842 °F]
104	176	203	266	383	536	-
131	-	203	266	383	536	-
149	-	-	266	383	536 ¹⁾	-
158	-	-	266	383 ²⁾	536 ²⁾	-

- 1) $T_a = 149\text{ °F}$ for pulse/frequency/switch output $P_i = 0.7\text{ W}$
 2) $T_a = 158\text{ °F}$ for pulse/frequency/switch output $P_i = 0.7\text{ W}$

Order code for "Output", option C "4-20mA HART, 4-20mA"

Order code for "Approval", all options

- Ex d, Ex ia, Ex ic, Ex nA, Ex tb
- $cCSA_{US}$ IS, $cCSA_{US}$ XP, $cCSA_{US}$ NI

SI units

Version with max. $T_m = 280\text{ °C}$						
T_a ¹⁾ [°C]	T6 [85 °C]	T5 [100 °C]	T4 [135 °C]	T3 [200 °C]	T2 [300 °C]	T1 [450 °C]
40	80	95	130	195	280	-
55	-	95	130	195	280	-
60	-	-	130	195	280	-
65	-	-	130	195	280 ²⁾	-
70	-	-	130	-	-	-

- 1) The following applies for installations with overvoltage protection in conjunction with temperature class T5, T6 and approval options BA, BB, BD, BH, BJ, B2, IA, IB, ID, IH, JJ, I4, C2: $T_a = T_m - 2\text{ °C}$
 2) $T_a = 65\text{ °C}$ for pulse/frequency/switch output $P_i = 0\text{ W}$

US units

Version with max. $T_m = 536\text{ °F}$						
T_a ¹⁾ [°F]	T6 [185 °F]	T5 [212 °F]	T4 [275 °F]	T3 [392 °F]	T2 [572 °F]	T1 [842 °F]
104	176	203	266	383	536	-
131	-	203	266	383	536	-
140	-	-	266	383	536	-

Version with max. $T_m = 536\text{ °F}$						
$T_a^{1)}$ [°F]	T6 [185 °F]	T5 [212 °F]	T4 [275 °F]	T3 [392 °F]	T2 [572 °F]	T1 [842 °F]
149	-	-	266	383	536 ²⁾	-
158	-	-	266	-	-	-

- 1) The following applies for installations with overvoltage protection in conjunction with temperature class T5, T6 and approval options BA, BB, BD, BH, BJ, B2, IA, IB, ID, IH, IJ, I4, C2: $T_a = T_a - 35.6\text{ °F}$
- 2) $T_a = 149\text{ °F}$ for pulse/frequency/switch output $P_i = 0\text{ W}$

Order code for "Output", option D "4-20 mA HART, PFS output; 4-20 mA input"

Order code for "Approval", all options

- Ex d, Ex ia, Ex ic, Ex nA, Ex tb
- cCSA_{US} IS, cCSA_{US} XP, cCSA_{US} NI

SI units

Version with max. $T_m = 280\text{ °C}$						
$T_a^{1)}$ [°C]	T6 [85 °C]	T5 [100 °C]	T4 [135 °C]	T3 [200 °C]	T2 [300 °C]	T1 [450 °C]
35	80	95	130	195	280	-
50	-	95	130	195	280	-
55	-	-	-	195	280	-
60	-	-	-	195	-	-

- 1) The following applies for installations with overvoltage protection in conjunction with temperature class T5, T6 and approval options BA, BB, BD, BH, BJ, B2, IA, IB, ID, IH, IJ, I4, C2: $T_a = T_a - 2\text{ °C}$

US units

Version with max. $T_m = 536\text{ °F}$						
$T_a^{1)}$ [°F]	T6 [185 °F]	T5 [212 °F]	T4 [275 °F]	T3 [392 °F]	T2 [572 °F]	T1 [842 °F]
95	176	203	266	383	536	-
122	-	203	266	383	536	-
131	-	-	-	383	536	-
140	-	-	-	383	-	-

- 1) The following applies for installations with overvoltage protection in conjunction with temperature class T5, T6 and approval options BA, BB, BD, BH, BJ, B2, IA, IB, ID, IH, IJ, I4, C2: $T_a = T_a - 35.6\text{ °F}$

Order code for "Output", option E "FOUNDATION Fieldbus, pulse/frequency/switch output" and option G "PROFIBUS PA, pulse/frequency/switch output"

Order code for "Approval", all options

- Ex d, Ex ia, Ex ic, Ex nA, Ex tb
- cCSA_{US} IS, cCSA_{US} XP, cCSA_{US} NI

SI units

Version with max. $T_m = 280\text{ °C}$						
$T_a^{1)}$ [°C]	T6 [85 °C]	T5 [100 °C]	T4 [135 °C]	T3 [200 °C]	T2 [300 °C]	T1 [450 °C]
40	80	95	130	195	280	-
50 ²⁾	-	95	130	195	280	-
60	-	-	130	195	280	-

Version with max. $T_m = 280\text{ °C}$						
$T_a^{1)}$ [°C]	T6 [85 °C]	T5 [100 °C]	T4 [135 °C]	T3 [200 °C]	T2 [300 °C]	T1 [450 °C]
65	-	-	130	195	280 ³⁾	-
70	-	-	130	195 ⁴⁾	280 ⁴⁾	-

- 1) The following applies for installations with overvoltage protection in conjunction with temperature class T5, T6 and approval options BA, BB, BD, BH, BJ, B2, IA, IB, ID, IH, IJ, I4, C2: $T_a = T_a - 2\text{ °C}$
- 2) $T_a = 60\text{ °C}$ for pulse/frequency/switch output $P_i = 0\text{ W}$
- 3) $T_a = 65\text{ °C}$ for pulse/frequency/switch output $P_i = 0\text{ W}$
- 4) $T_a = 70\text{ °C}$ for pulse/frequency/switch output $P_i = 0\text{ W}$

US units

Version with max. $T_m = 536\text{ °F}$						
$T_a^{1)}$ [°F]	T6 [185 °F]	T5 [212 °F]	T4 [275 °F]	T3 [392 °F]	T2 [572 °F]	T1 [842 °F]
104	176	203	266	383	536	-
122 ²⁾	-	203	266	383	536	-
140	-	-	266	383	536	-
149	-	-	266	383	536 ³⁾	-
158	-	-	266	383 ⁴⁾	536 ⁴⁾	-

- 1) The following applies for installations with overvoltage protection in conjunction with temperature class T5, T6 and approval options BA, BB, BD, BH, BJ, B2, IA, IB, ID, IH, IJ, I4, C2: $T_a = T_a - 35.6\text{ °F}$
- 2) $T_a = 140\text{ °F}$ for pulse/frequency/switch output $P_i = 0\text{ W}$
- 3) $T_a = 149\text{ °F}$ for pulse/frequency/switch output $P_i = 0\text{ W}$
- 4) $T_a = 158\text{ °F}$ for pulse/frequency/switch output $P_i = 0\text{ W}$

Remote version

Transmitter

Order code for "Housing", option J "GT20 two-chamber, remote G314, aluminum coated"; option K "GT20 two-chamber, remote G315, 316L"

SI units

Order code for "Output", option	Order code for "Approval", option	T6 [85 °C]	T5 [100 °C]	T4 [135 °C]
A	All	40	60	75
B	BA, BB, BD, BH, BJ, B2, IA, IB, ID, IH, IJ, I4, C2	35 ¹⁾	50 ²⁾	70 ³⁾
	BC, BG, BK, B3, IC, IG, IK, I5, C3	40	55	70 ³⁾
C	All	40	55	70 ⁴⁾
D	All	35 ⁵⁾	50 ⁵⁾	65
E G	All	40	55	70 ⁴⁾

- 1) $T_a = 40\text{ °C}$ for pulse/frequency/switch output $P_i = 0.85\text{ W}$
- 2) $T_a = 60\text{ °C}$ for pulse/frequency/switch output $P_i = 0.85\text{ W}$
- 3) $T_a = 75\text{ °C}$ for pulse/frequency/switch output $P_i = 0.85\text{ W}$
- 4) $T_a = 75\text{ °C}$ for pulse/frequency/switch output $P_i = 0\text{ W}$
- 5) The following applies for installations with overvoltage protection in conjunction with temperature class T5, T6 and approval options BA, BB, BD, BH, BJ, B2, IA, IB, ID, IH, IJ, I4, C2: $T_a = T_a - 2\text{ °C}$

US units

Order code for "Output", option	Order code for "Approval", option	T6 [185 °F]	T5 [212 °F]	T4 [275 °F]
A	All	104	140	167
B	BA, BB, BD, BH, BJ, B2, IA, IB, ID, IH, IJ, I4, C2	95 ¹⁾	122 ²⁾	158 ³⁾
	BC, BG, BK, B3, IC, IG, IK, I5, C3	104	131	158 ³⁾
C	All	104	131	158 ⁴⁾
D	All	95 ⁵⁾	122 ⁵⁾	149
E G	All	104	131	158 ⁴⁾

- 1) $T_a = 104 \text{ °F}$ for pulse/frequency/switch output $P_i = 0.85 \text{ W}$
- 2) $T_a = 140 \text{ °F}$ for pulse/frequency/switch output $P_i = 0.85 \text{ W}$
- 3) $T_a = 167 \text{ °F}$ for pulse/frequency/switch output $P_i = 0.85 \text{ W}$
- 4) $T_a = 167 \text{ °F}$ for pulse/frequency/switch output $P_i = 0 \text{ W}$
- 5) The following applies for installations with overvoltage protection in conjunction with temperature class T5, T6 and approval options BA, BB, BD, BH, BJ, B2, IA, IB, ID, IH, IJ, I4, C2: $T_a = T_a - 35.6 \text{ °F}$

Sensor

Order code for "Sensor version", option 4 "Volume flow Alloy 718"; option 5 "Volume flow titanium"; option 6 "Mass flow Alloy 718"

SI units

Version with max. $T_m = 280 \text{ °C}$						
T_a [°C]	T6 [85 °C]	T5 [100 °C]	T4 [135 °C]	T3 [200 °C]	T2 [300 °C]	T1 [450 °C]
55	80	95	130	195	280	-
70	-	95	130	195	280	-
85	-	-	130	195	280	-

US units

Version with max. $T_m = 536 \text{ °F}$						
T_a [°F]	T6 [185 °F]	T5 [212 °F]	T4 [275 °F]	T3 [392 °F]	T2 [572 °F]	T1 [842 °F]
104	176	203	266	383	536	-
122	-	203	266	383	536	-
149	-	-	266	383	536	-

Storage temperature

All components apart from the display modules:
-50 to +80 °C (-58 to +176 °F)

Display modules:
-40 to +80 °C (-40 to +176 °F)

Climate class

DIN EN 60068-2-38 (test Z/AD)

Degree of protection

Transmitter

- As standard: IP66/67, type 4X enclosure
- When housing is open: IP20, type 1 enclosure
- Display module: IP20, type 1 enclosure

Sensor

IP66/67, type 4X enclosure

Device plug
IP67, only in screwed situation

Vibration resistance

- For compact/remote version made of coated aluminum and remote version made of stainless steel: Acceleration up to 2g (if gain set to factory setting), 10 to 500 Hz, following IEC 60068-2-6
- For the compact version made of stainless steel: Acceleration up to 1g (if gain set to factory setting), 10 to 500 Hz, following IEC 60068-2-6

Electromagnetic compatibility (EMC)

As per IEC/EN 61326 and NAMUR Recommendation 21 (NE 21)



For details refer to the Declaration of Conformity.

Process

Medium temperature range
DSC sensor²⁾

Order code for "Sensor version":

- Option 5 "Volume flow, titanium":
-50 to +400 °C (-58 to +752 °F), for PN 250/Class 900 to 1 500 and butt-weld version
- Option 4 "Volume flow, Alloy 718":
-200 to +400 °C (-328 to +752 °F), PN 63 to 160/Class 600
- Option 6 "Mass flow, Alloy 718":
-200 to +400 °C (-328 to +752 °F), PN 63 to 160/Class 600

DSC sensor²⁾

Order code for "Sensor option":

Option CD "Harsh environment, DSC sensor components, Alloy C22":
-200 to +400 °C (-328 to +752 °F), DSC sensor Alloy C22

DSC sensor²⁾

Special version for very high fluid temperatures (on request):

- -200 to +440 °C (-328 to +824 °F), Ex version
-

Seals

High-pressure version

- -200 to +400 °C (-328 to +752 °F) for graphite (standard)
- -15 to +175 °C (+5 to +347 °F) for Viton
- -20 to +275 °C (-4 to +527 °F) for Kalrez
- -200 to +260 °C (-328 to +500 °F) for Gylon

Ultra-high pressure version

-200 to +400 °C (-328 to +752 °F) for graphite (standard)

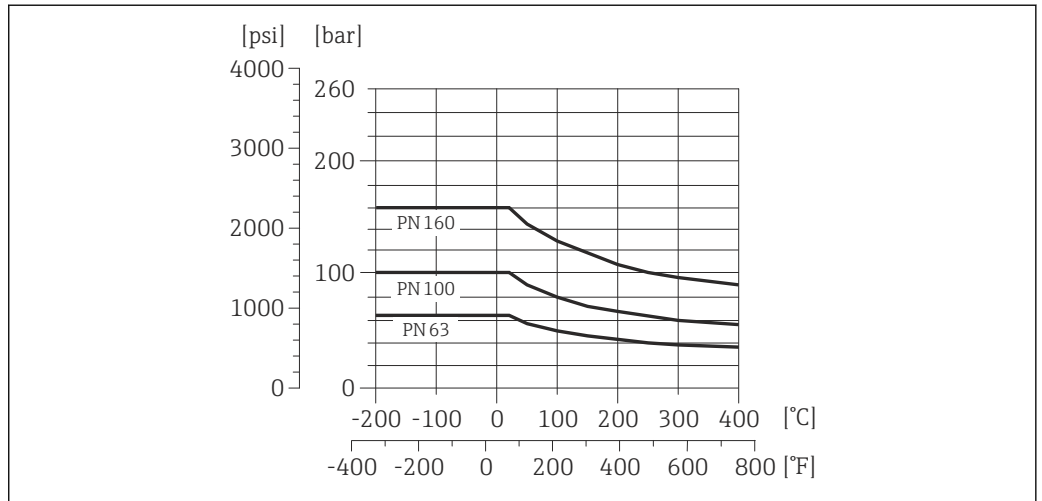
Pressure-temperature ratings

The following pressure-temperature ratings refer to the entire device and not just the process connection.

The pressure-temperature rating for the specific measuring device is programmed into the software. If values exceed the curve range a warning is displayed. Depending on the system configuration and sensor version, the pressure and temperature are determined by entering, reading in or calculating values.

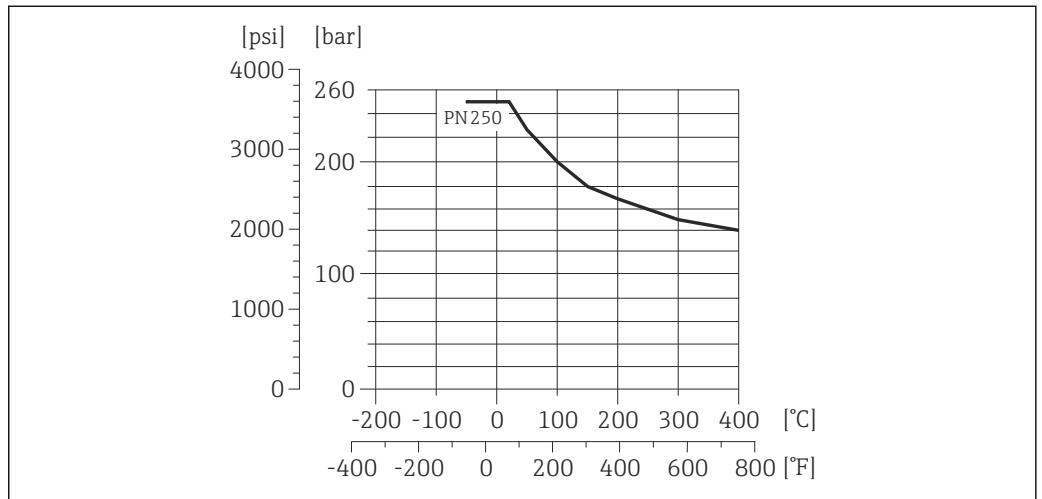
2) Capacitance sensor

Process connection: flange to EN 1092-1 (DIN 2501)



A0020883-EN

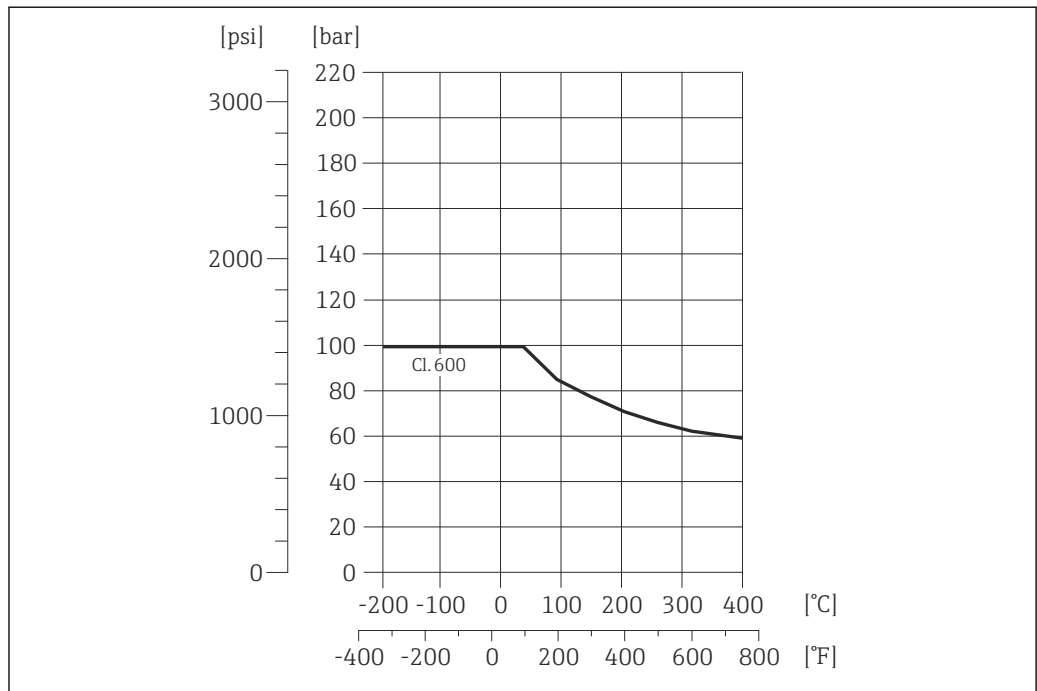
17 Process connection material: stainless cast steel, multiple certifications, 1.4408 (CF3M)



A0021032-EN

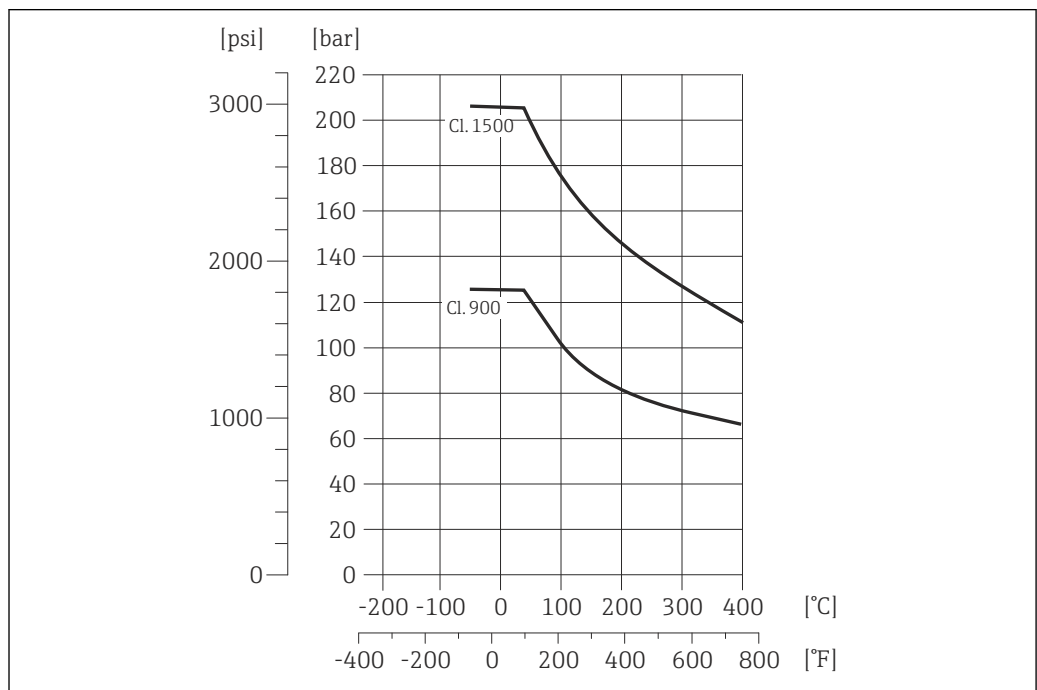
18 Process connection material: stainless steel, 1.4571 similar to F316 Ti

Process connection: flange to ASME B16.5



A0020884-EN

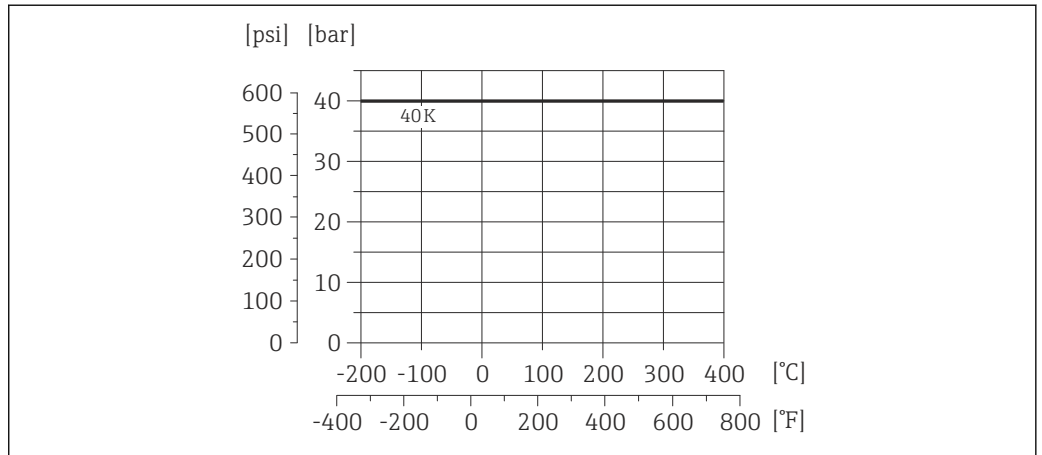
19 Process connection material: stainless cast steel, multiple certifications, 1.4408 (CF3M)



A0021033-EN

20 Process connection material: stainless steel, F316/F316L similar to 1.4404

Process connection: flange to JIS B2220



21 Process connection material: stainless cast steel, multiple certifications, 1.4408 (CF3M)

Pressure loss

For a precise calculation, use the Applicator(→ 85).

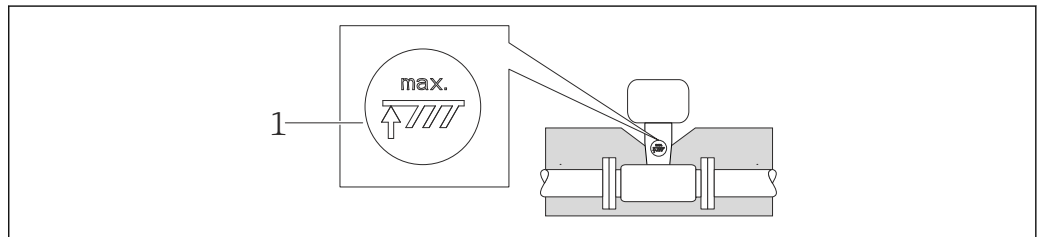
Thermal insulation

For optimum temperature measurement and mass calculation, heat transfer at the sensor must be avoided for some fluids. This can be ensured by installing thermal insulation. A wide range of materials can be used for the required insulation.

This applies for:

- Compact version
- Remote sensor version

The maximum insulation height permitted is illustrated in the diagram:



1 Maximum insulation height

► When insulating, ensure that a sufficiently large area of the housing support remains exposed. The uncovered part serves as a radiator and protects the electronics from overheating and excessive cooling.

Vibrations

The correct operation of the measuring system is not affected by plant vibrations up to 1 g, 10 to 500 Hz. Therefore no special measures are needed to secure the sensors.

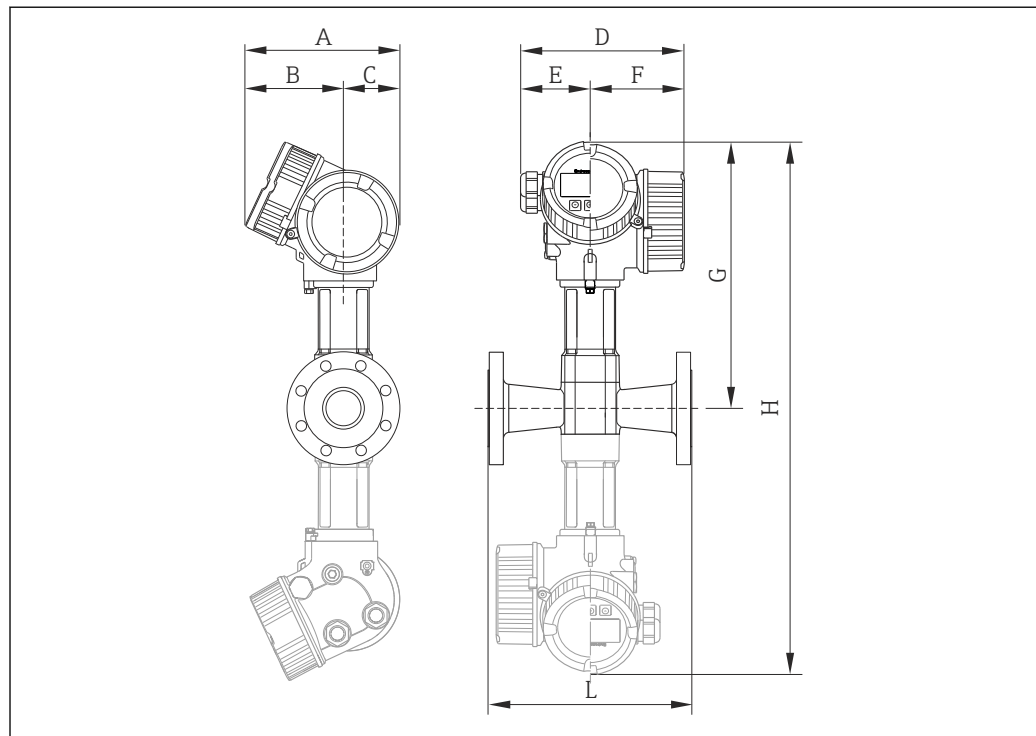
Mechanical construction

Design, dimensions

Compact version

Order code for "Housing", option B "GT18 two-chamber, 316L"; option C "GT20 two-chamber, aluminum coated"

High-pressure version



A0019332

▣ 22 Gray broken line: Dualsens version

Dimensions in SI units

DN	A	B ¹⁾	C	D ²⁾	E	F ²⁾	G ³⁾	H ⁴⁾	L
[mm]	[mm]	[mm]	[mm]	[mm]	[mm]	[mm]	[mm]	[mm]	[mm]
15	162	102	60	165	75	90	294.0	⁵⁾	⁶⁾
25	162	102	60	165	75	90	300.4	⁵⁾	⁶⁾
40	162	102	60	165	75	90	308.6	617.2	⁶⁾
50	162	102	60	165	75	90	315.3	630.6	⁶⁾
80	162	102	60	165	75	90	328.2	656.4	⁶⁾
100	162	102	60	165	75	90	340.1	680.2	⁶⁾
150	162	102	60	165	75	90	364.5	729.0	⁶⁾

- 1) For version without local display: values - 7 mm
- 2) For version with overvoltage protection: values + 8 mm
- 3) For version without local display: values - 10 mm
- 4) For version without local display: values - 20 mm
- 5) Not available as a Dualsens version
- 6) dependent on respective process connection

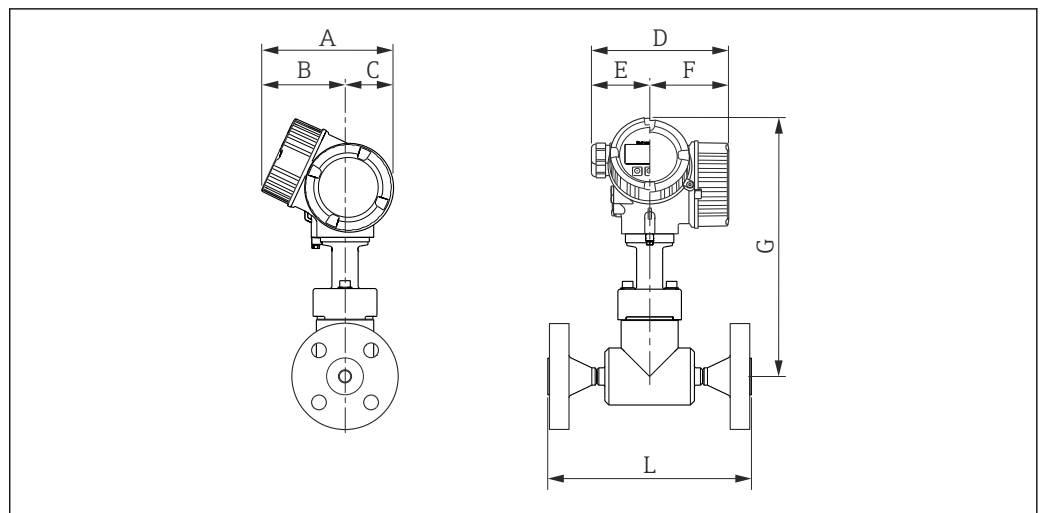
Dimensions in US units

DN	A	B ¹⁾	C	D ²⁾	E	F ²⁾	G ³⁾	H ⁴⁾	L
[in]	[in]	[in]	[in]	[in]	[in]	[in]	[in]	[in]	[in]
½	6.38	4.02	2.36	6.50	2.95	3.54	11.57	⁵⁾	⁶⁾
1	6.38	4.02	2.36	6.50	2.95	3.54	11.83	⁵⁾	⁶⁾
1½	6.38	4.02	2.36	6.50	2.95	3.54	12.15	24.30	⁶⁾
2	6.38	4.02	2.36	6.50	2.95	3.54	12.41	24.82	⁶⁾

DN	A	B ¹⁾	C	D ²⁾	E	F ²⁾	G ³⁾	H ⁴⁾	L
[in]	[in]	[in]	[in]	[in]	[in]	[in]	[in]	[in]	[in]
3	6.38	4.02	2.36	6.50	2.95	3.54	12.92	25.84	⁶⁾
4	6.38	4.02	2.36	6.50	2.95	3.54	13.39	26.78	⁶⁾
6	6.38	4.02	2.36	6.50	2.95	3.54	14.35	28.70	⁶⁾

- 1) For version without local display: values - 0.28 in
- 2) For version with overvoltage protection: values + 0.31 in
- 3) For version without local display: values - 0.39 in
- 4) For version without local display: values - 0.78 in
- 5) Not available as a Dualsens version
- 6) dependent on respective process connection

Ultra-high pressure version



A0019927

Dimensions in SI units

DN	A	B ¹⁾	C	D ²⁾	E	F ²⁾	G ³⁾	L
[mm]	[mm]	[mm]	[mm]	[mm]	[mm]	[mm]	[mm]	[mm]
15	162	102	60	165	75	90	315.2	⁴⁾
25	162	102	60	165	75	90	315.3	⁴⁾
40	162	102	60	165	75	90	319.3	⁴⁾
50	162	102	60	165	75	90	310.3	⁴⁾
80	162	102	60	165	75	90	316.2	⁴⁾
100	162	102	60	165	75	90	328.4	⁴⁾
150	162	102	60	165	75	90	344.3	⁴⁾

- 1) For version without local display: values - 7 mm
- 2) For version with overvoltage protection: values + 8 mm
- 3) For version without local display: values - 10 mm
- 4) dependent on respective process connection

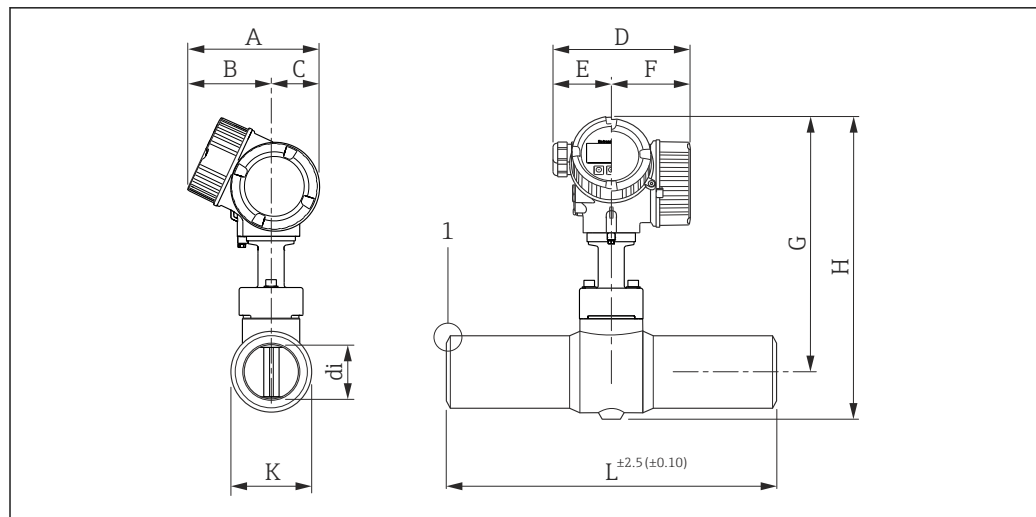
Dimensions in US units

DN [in]	A [in]	B ¹⁾ [in]	C [in]	D ²⁾ [in]	E [in]	F ²⁾ [in]	G ³⁾ [in]	L [in]
½	6.38	4.02	2.36	6.50	2.95	3.54	12.41	4)
1	6.38	4.02	2.36	6.50	2.95	3.54	12.41	4)
1½	6.38	4.02	2.36	6.50	2.95	3.54	12.57	4)
2	6.38	4.02	2.36	6.50	2.95	3.54	12.22	4)
3	6.38	4.02	2.36	6.50	2.95	3.54	12.45	4)
4	6.38	4.02	2.36	6.50	2.95	3.54	12.93	4)
6	6.38	4.02	2.36	6.50	2.95	3.54	13.56	4)

- 1) For version without local display: values - 0.28 in
 2) For version with overvoltage protection: values + 0.31 in
 3) For version without local display: values - 0.39 in
 4) dependent on respective process connection

Butt-weld version

Order code for "Process connection", option A6B "ASME Cl. 600 to 1500 Sch.80 butt-weld"; option D6B "DIN PN 250 butt-weld"



A0020321

23 Engineering unit mm (in)

1 Groove type 22 as per DIN 2559

Dimensions in SI units

According to EN (DIN), PN 250: 1.4571 (order code for "Process connection", option D6B)											
DN [mm]	A [mm]	B ¹⁾ [mm]	C [mm]	D ²⁾ [mm]	E [mm]	F [mm]	G ³⁾ [mm]	H [mm]	L [mm]	K [mm]	di [mm]
15	162	102	60	165	75	90	315.2	348.5	248	76	14.0
25	162	102	60	165	75	90	315.3	347.5	248	76	24.3
40	162	102	60	165	75	90	319.3	351.5	278	76	38.1
50	162	102	60	165	75	90	310.3	342.5	288	76	47.7
80	162	102	60	165	75	90	316.2	380.5	325	107	73.7

According to EN (DIN), PN 250: 1.4571 (order code for "Process connection", option D6B)											
DN	A	B ¹⁾	C	D ²⁾	E	F	G ³⁾	H	L	K	di
[mm]	[mm]	[mm]	[mm]	[mm]	[mm]	[mm]	[mm]	[mm]	[mm]	[mm]	[mm]
100	162	102	60	165	75	90	328.4	405.5	394	133	97.3
150	162	102	60	165	75	90	344.3	446.2	566	181	131.6

- 1) For version without local display: values - 7 mm
- 2) For version with overvoltage protection: values + 8 mm
- 3) For version without local display: values - 10 mm

According to ASME, Cl. 600 to 1500/Sch. 80: F316/F316L (order code for "Process connection", option A6B)											
DN	A	B ¹⁾	C	D ²⁾	E	F	G ³⁾	H ³⁾	L	K	di
[mm]	[mm]	[mm]	[mm]	[mm]	[mm]	[mm]	[mm]	[mm]	[mm]	[mm]	[mm]
15	162	102	60	165	75	90	315.2	348.5	248	76	14.0
25	162	102	60	165	75	90	315.3	347.5	248	76	24.3
40	162	102	60	165	75	90	319.3	351.5	278	76	38.1
50	162	102	60	165	75	90	310.3	342.5	288	76	47.7
80	162	102	60	165	75	90	316.2	380.5	325	107	73.7
100	162	102	60	165	75	90	328.4	405.5	394	133	97.3
150	162	102	60	165	75	90	344.3	446.2	566	181	131.6

- 1) For version without local display: values - 7 mm
- 2) For version with overvoltage protection: values + 8 mm
- 3) For version without local display: values - 10 mm

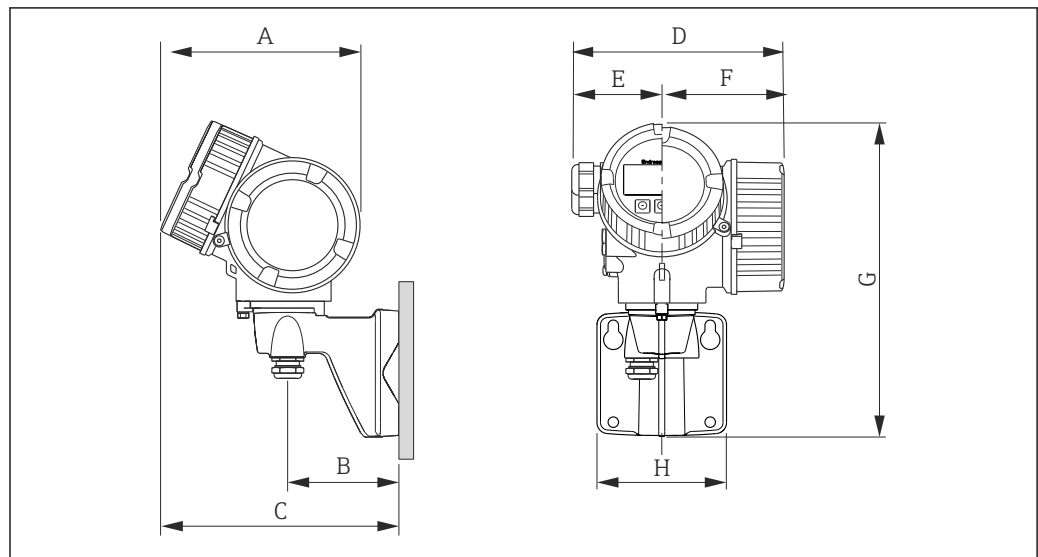
Dimensions in US units

According to ASME, Cl. 600 to 1500/Sch. 80: F316/F316L (order code for "Process connection", option A6B)											
DN	A	B ¹⁾	C	D ²⁾	E	F	G ³⁾	H ³⁾	L	K	di
[in]	[in]	[in]	[in]	[in]	[in]	[in]	[in]	[in]	[in]	[in]	[in]
½	6.38	4.02	2.36	6.50	2.95	3.54	12.41	13.72	9.76	2.99	0.55
1	6.38	4.02	2.36	6.50	2.95	3.54	12.41	13.68	9.76	2.99	0.96
1½	6.38	4.02	2.36	6.50	2.95	3.54	12.57	13.84	10.94	2.99	1.50
2	6.38	4.02	2.36	6.50	2.95	3.54	12.22	13.48	11.34	2.99	1.88
3	6.38	4.02	2.36	6.50	2.95	3.54	12.45	14.98	12.80	4.21	2.90
4	6.38	4.02	2.36	6.50	2.95	3.54	12.93	15.96	15.51	5.24	3.83
6	6.38	4.02	2.36	6.50	2.95	3.54	13.56	17.57	22.28	7.13	5.18

- 1) For version without local display: values - 0.28 in
- 2) For version with overvoltage protection: values + 0.31 in
- 3) For version without local display: values - 0.39 in

Transmitter remote version

Order code for "Housing", option J "GT20, remote, aluminum coated"; option K "GT18 remote, 316L"



A0020089

Dimensions in SI units

A ¹⁾	B	C ¹⁾	D ²⁾	E	F ²⁾	G ³⁾	H
[mm]	[mm]	[mm]	[mm]	[mm]	[mm]	[mm]	[mm]
162	90	191	165	75	90	254	107

- 1) For device version without local display: value - 7 mm
- 2) For device version with overvoltage protection (OVP): value + 8 mm
- 3) For device version without local operation: value - 10 mm

Dimensions in US units

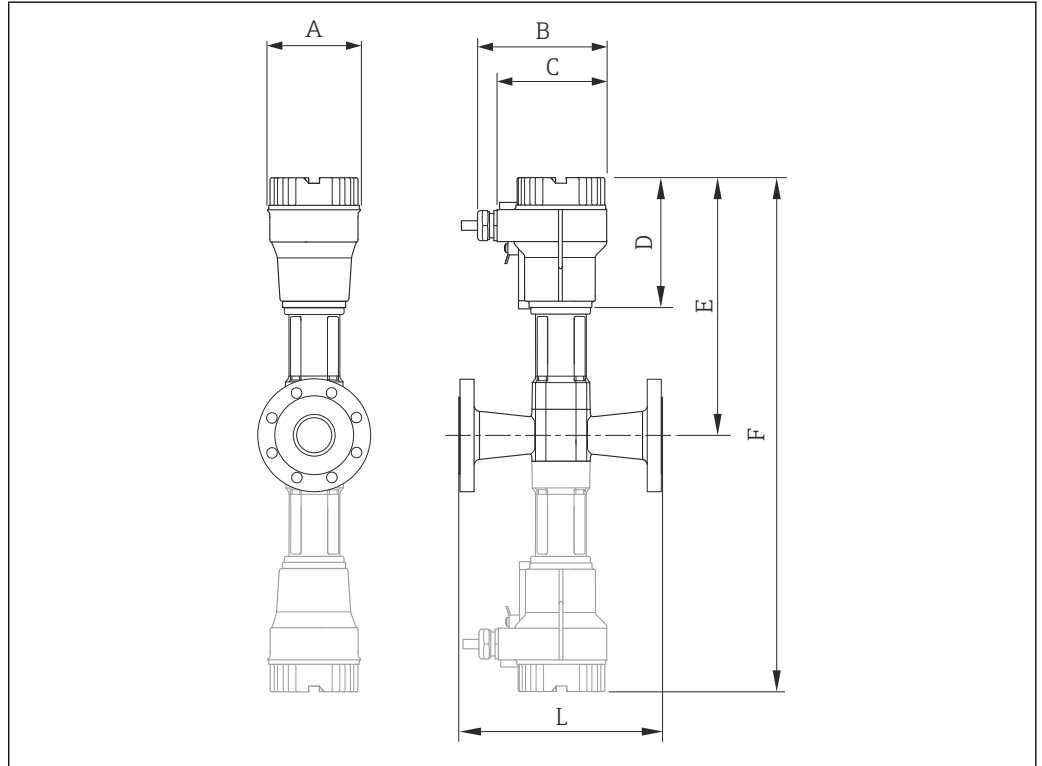
A ¹⁾	B	C	D ²⁾	E	F	G ³⁾	H
[in]	[in]	[in]	[in]	[in]	[in]	[in]	[in]
6.38	3.54	7.52	6.5	2.75	3.54	10.0	4.21

- 1) For device version without local display: value - 0.28 in
- 2) For device version with overvoltage protection (OVP): value + 0.31 in
- 3) For device version without local operation: value - 0.39 in

Sensor remote version

Order code for "Housing", option J "GT20, remote, aluminum coated"; option K "GT18, remote, 316L"

High-pressure version



A0019341

24 Gray broken line: Dualsens version

Dimensions in SI units

DN [mm]	A [mm]	B [mm]	C [mm]	D [mm]	E [mm]	F [mm]	L [mm]
15	94.3	134.3	107.3	115.8	264.3	1)	2)
25	94.3	134.3	107.3	115.8	270.7	1)	2)
40	94.3	134.3	107.3	115.8	278.9	557.8	2)
50	94.3	134.3	107.3	115.8	285.6	571.2	2)
80	94.3	134.3	107.3	115.8	298.5	597.0	2)
100	94.3	134.3	107.3	115.8	310.4	620.8	2)
150	94.3	134.3	107.3	115.8	334.8	669.6	2)

- 1) Not available as a Dualsens version
- 2) dependent on respective process connection

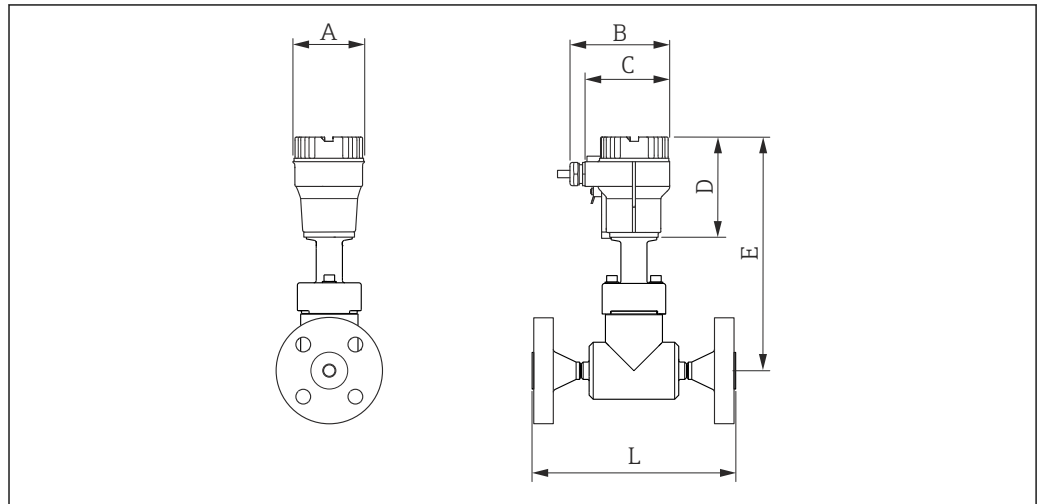
Dimensions in US units

DN [in]	A [in]	B [in]	C [in]	D [in]	E [in]	F [in]	L [in]
½	3.71	5.29	4.22	4.56	10.41	1)	2)
1	3.71	5.29	4.22	4.56	10.66	1)	2)
1½	3.71	5.29	4.22	4.56	10.98	21.96	2)
2	3.71	5.29	4.22	4.56	11.24	22.48	2)
3	3.71	5.29	4.22	4.56	11.75	23.50	2)

DN [in]	A [in]	B [in]	C [in]	D [in]	E [in]	F [in]	L [in]
4	3.71	5.29	4.22	4.56	12.22	24.44	²⁾
6	3.71	5.29	4.22	4.56	13.18	26.36	²⁾

- 1) Not available as a Dualsens version
2) dependent on respective process connection

Ultra-high pressure version



A0019928

Dimensions in SI units

DN [mm]	A [mm]	B [mm]	C [mm]	D [mm]	E [mm]	L [mm]
15	94.3	134.3	107.3	115.8	285.5	¹⁾
25	94.3	134.3	107.3	115.8	285.6	¹⁾
40	94.3	134.3	107.3	115.8	289.6	¹⁾
50	94.3	134.3	107.3	115.8	280.6	¹⁾
80	94.3	134.3	107.3	115.8	286.5	¹⁾
100	94.3	134.3	107.3	115.8	298.7	¹⁾
150	94.3	134.3	107.3	115.8	314.6	¹⁾

- 1) dependent on respective process connection

Dimensions in US units

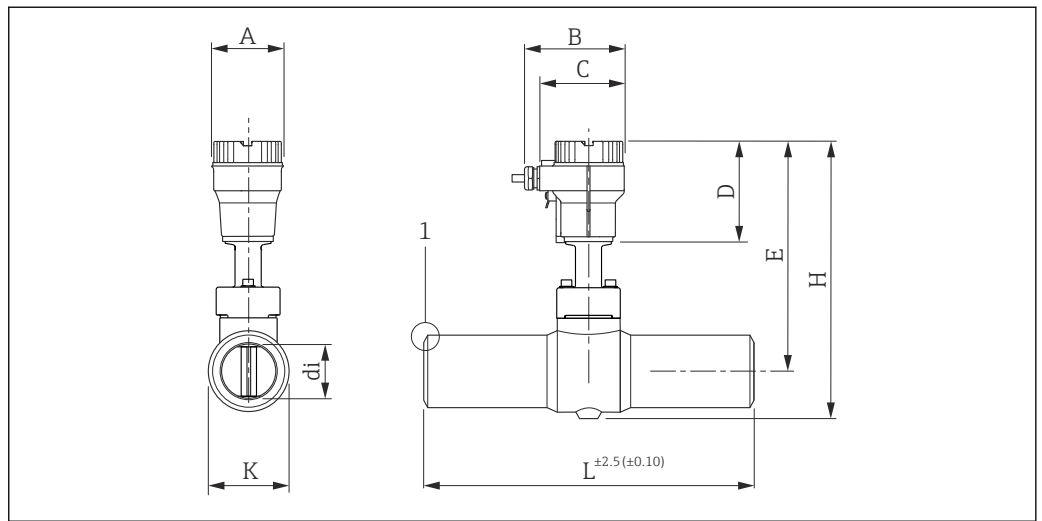
DN [in]	A [in]	B [in]	C [in]	D [in]	E [in]	L [in]
½	3.71	5.29	4.22	4.56	11.24	¹⁾
1	3.71	5.29	4.22	4.56	11.24	¹⁾
1½	3.71	5.29	4.22	4.56	11.40	¹⁾
2	3.71	5.29	4.22	4.56	11.05	¹⁾
3	3.71	5.29	4.22	4.56	11.28	¹⁾

DN [in]	A [in]	B [in]	C [in]	D [in]	E [in]	L [in]
4	3.71	5.29	4.22	4.56	11.76	1) ¹⁾
6	3.71	5.29	4.22	4.56	12.39	1) ¹⁾

1) dependent on respective process connection

Butt-weld version

Order code for "Process connection", option A6B "ASME Cl. 600 to 1500 Sch.80 butt-weld"; option D6B "DIN PN 250 butt-weld"



A0020323

25 Engineering unit mm (in)

1 Groove type 22 as per DIN 2559

Dimensions in SI units

According to EN (DIN), PN 250: 1.4571 (order code for "Process connection", option D6B)

DN [mm]	A [mm]	B [mm]	C [mm]	D [mm]	E [mm]	H [mm]	L [mm]	K [mm]	di [mm]
15	94.3	134.3	107.3	115.8	285.5	318.8	248	76	14.0
25	94.3	134.3	107.3	115.8	285.6	317.8	248	76	24.3
40	94.3	134.3	107.3	115.8	289.6	321.8	278	76	38.1
50	94.3	134.3	107.3	115.8	280.6	312.8	288	76	47.7
80	94.3	134.3	107.3	115.8	286.5	350.8	325	107	73.7
100	94.3	134.3	107.3	115.8	298.7	375.8	394	133	97.3
150	94.3	134.3	107.3	115.8	314.6	416.5	566	181	131.6

According to ASME, Cl. 600 to 1500/Sch. 80: F316/F316L (order code for "Process connection", option A6B)

DN [mm]	A [mm]	B [mm]	C [mm]	D [mm]	E [mm]	H [mm]	L [mm]	K [mm]	di [mm]
15	94.3	134.3	107.3	115.8	285.5	318.8	248	76	14.0
25	94.3	134.3	107.3	115.8	285.6	317.8	248	76	24.3

According to ASME, Cl. 600 to 1500/Sch. 80: F316/F316L (order code for "Process connection", option A6B)									
DN	A	B	C	D	E	H	L	K	di
[mm]	[mm]	[mm]	[mm]	[mm]	[mm]	[mm]	[mm]	[mm]	[mm]
40	94.3	134.3	107.3	115.8	289.6	321.8	278	76	38.1
50	94.3	134.3	107.3	115.8	280.6	312.8	288	76	47.7
80	94.3	134.3	107.3	115.8	286.5	350.8	325	107	73.7
100	94.3	134.3	107.3	115.8	298.7	375.8	394	133	97.3
150	94.3	134.3	107.3	115.8	314.6	416.5	566	181	131.6

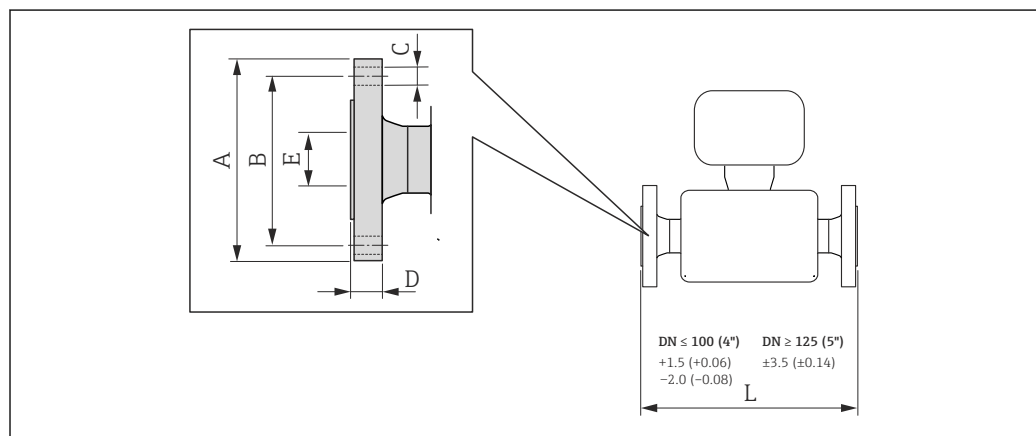
Dimensions in US units

According to ASME, Cl. 600 to 1500/Sch. 80: F316/F316L (order code for "Process connection", option A6B)									
DN	A	B	C	D	E	H	L	K	di
[in]	[in]	[in]	[in]	[in]	[in]	[in]	[in]	[in]	[in]
½	3.71	5.29	4.22	4.56	11.24	12.55	9.76	2.99	0.55
1	3.71	5.29	4.22	4.56	11.24	12.51	9.76	2.99	0.96
1½	3.71	5.29	4.22	4.56	11.40	12.67	10.94	2.99	1.50
2	3.71	5.29	4.22	4.56	11.05	12.31	11.34	2.99	1.88
3	3.71	5.29	4.22	4.56	11.28	13.81	12.80	4.21	2.90
4	3.71	5.29	4.22	4.56	11.76	14.80	15.51	5.24	3.83
6	3.71	5.29	4.22	4.56	12.39	16.40	22.28	7.13	5.18

Process connections in SI units

Flange connections EN (DIN)

High-pressure version



A0015621

26 Engineering unit mm (in)

Flange according to EN 1092-1 (DIN 2501), PN 63: 1.4408 (order code for "Process connection", option D3W)

Raised face according to: EN 1092-1 Form B2 (DIN 2526 Form E), Ra 1.6 to 3.2 µm

DN [mm]	A [mm]	B [mm]	∅ C [mm]	D [mm]	E [mm]	L [mm]
50	180	135	4 × 22	33	54.5	200
80	215	170	8 × 22	39	81.7	200
100	250	200	8 × 26	49	106.3	250
150	345	280	8 × 33	64	157.1	300

Flange according to EN 1092-1 (DIN 2501), PN 100: 1.4408 (order code for "Process connection", option D4W)

Raised face according to: EN 1092-1 Form B2 (DIN 2526 Form E), Ra 1.6 to 3.2 µm

DN [mm]	A [mm]	B [mm]	∅ C [mm]	D [mm]	E [mm]	L [mm]
25 ¹⁾	140	100	4 × 18	27	28.5	200
40	170	125	4 × 22	31	42.5	200
50	195	145	4 × 26	33	53.9	200
80	230	180	8 × 26	39	80.9	200
100	265	210	8 × 30	49	104.3	250
150	355	290	12 × 33	64	154.1	300

1) Not available as a Dualsens version

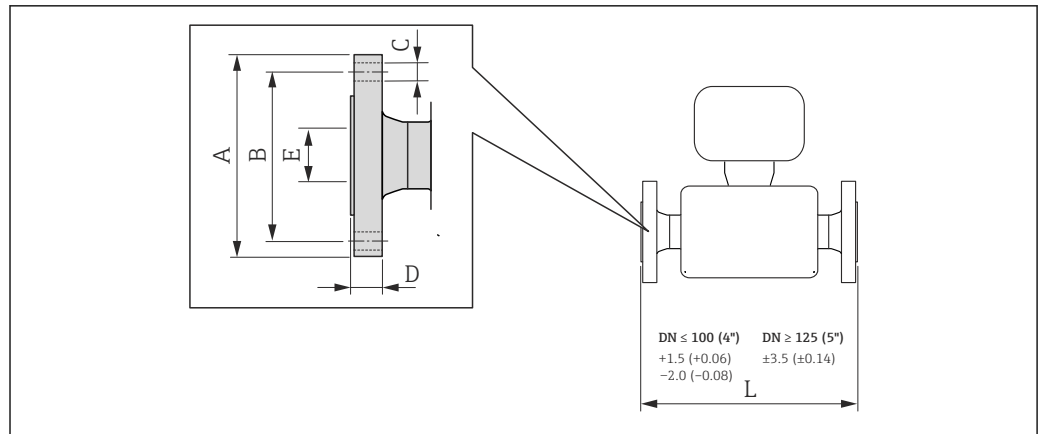
Flange according to EN 1092-1 (DIN 2501/DIN 2526E), PN 160: 1.4408 (order code for "Process connection", option D5W)

Raised face according to: EN 1092-1-B2 (DIN 2501 Form E), Ra 1.6 to 3.2 µm

DN [mm]	A [mm]	B [mm]	∅ C [mm]	D [mm]	E [mm]	L [mm]
15 ¹⁾	105	75	4 × 14	23	17.3	200
25 ¹⁾	140	100	4 × 18	27	27.9	200
40	170	125	4 × 22	31	41.1	200
50	195	145	4 × 26	33	52.3	200
80	230	180	8 × 26	39	76.3	200
100	265	210	8 × 30	49	98.3	250
150	355	290	12 × 33	64	146.3	300

1) Not available as a Dualsens version

Ultra-high pressure version



A0015621

27 Engineering unit mm (in)

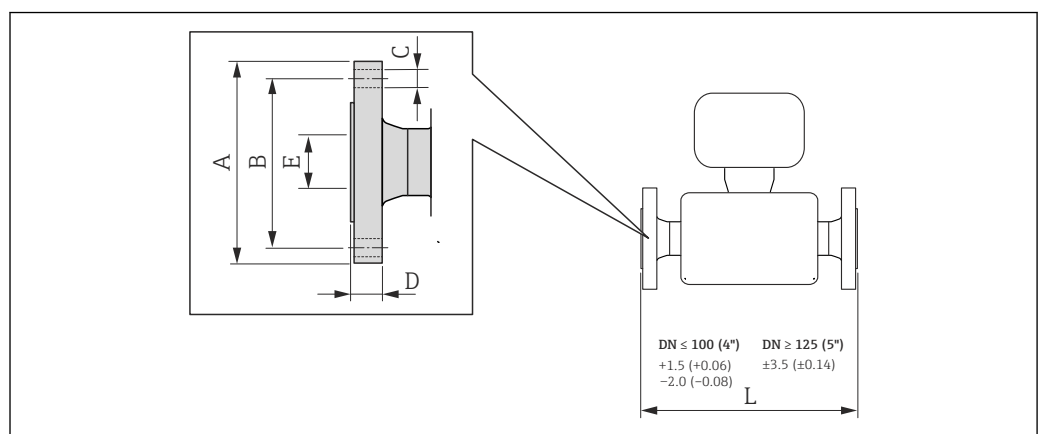
Flange according to EN 1092-1 (DIN 2501), PN 250: 1.4571 (order code for "Process connection", option D6W)

Raised face according to: DIN 2526 Form E, Ra 1.6 to 3.2 μm

DN [mm]	A [mm]	B [mm]	$\varnothing C$ [mm]	D [mm]	E [mm]	L [mm]
15	130	90	4 × 18	26	16.1	248
25	150	105	4 × 22	28	26.5	248
40	185	135	4 × 26	34	38.1	278
50	200	150	8 × 26	38	47.7	288
80	255	200	8 × 30	46	79.6	325
100	300	235	8 × 33	54	98.6	394
150	390	320	12 × 36	68	142.8	566

Flange connections ASME B16.5

High-pressure version



A0015621

28 Engineering unit mm (in)

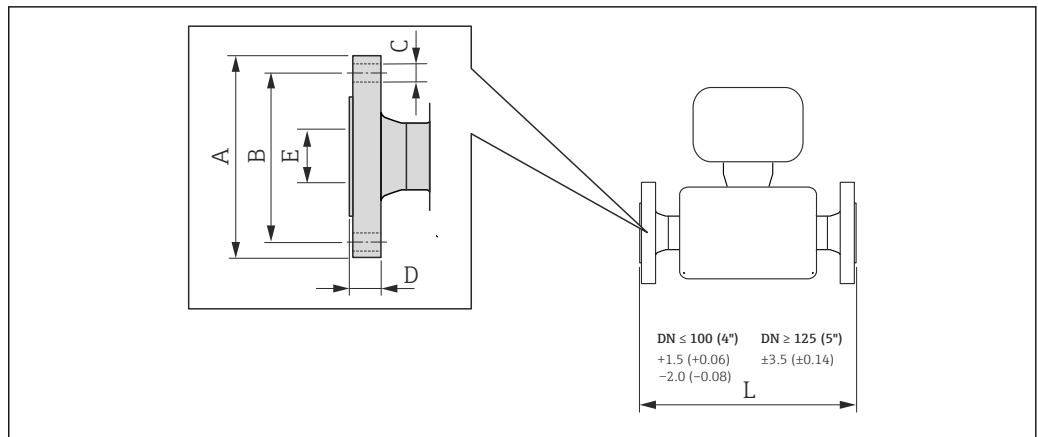
Flange according to ASME B16.5, Cl. 600/Sch. 80: 1.4408 (order code for "Process connection", option ACS)

Surface roughness (flange): ASME B16.5, Ra 3.2 to 6.3 µm

DN [mm]	A [mm]	B [mm]	∅ C [mm]	D [mm]	E [mm]	L [mm]
15 ¹⁾	95.3	66.5	4 × 15.7	23	13.9	200
25 ¹⁾	124.0	88.9	4 × 19.1	27	24.3	200
40	155.4	114.3	4 × 22.4	31	38.1	200
50	165.1	127.0	8 × 19.1	33	49.2	200
80	209.6	168.1	8 × 22.4	39	73.7	200
100	273.1	215.9	8 × 25.4	49	97.0	250
150	355.6	292.1	12 × 28.4	64	146.3	300

1) Not available as a Dualsens version

Ultra-high pressure version



A0015621

29 Engineering unit mm (in)

Flange according to ASME B16.5, Cl. 900/Sch. 80: F316/F316L (order code for "Process connection", option ADS)

Surface roughness (flange): ASME B16.5, Ra 3.2 to 6.3 µm

DN [mm]	A [mm]	B [mm]	∅ C [mm]	D [mm]	E [mm]	L [mm]
80	241.3	190.5	8 × 25.4	38.1	73.7	349
100	292.1	234.9	8 × 31.7	44.4	97.3	408
150	381.0	317.5	12 × 31.7	55.6	131.8	538

Flange according to ASME B16.5, Cl. 1500/Sch. 80: F316/F316L (order code for "Process connection", option AES)

Surface roughness (flange): ASME B16.5, Ra 3.2 to 6.3 µm

DN [mm]	A [mm]	B [mm]	∅ C [mm]	D [mm]	E [mm]	L [mm]
15	120.6	82.5	4 × 22.3	22.3	14.0	262.0
25	149.3	101.6	4 × 25.4	28.4	24.3	287.7
40	177.8	123.9	4 × 28.4	31.7	38.1	305.8

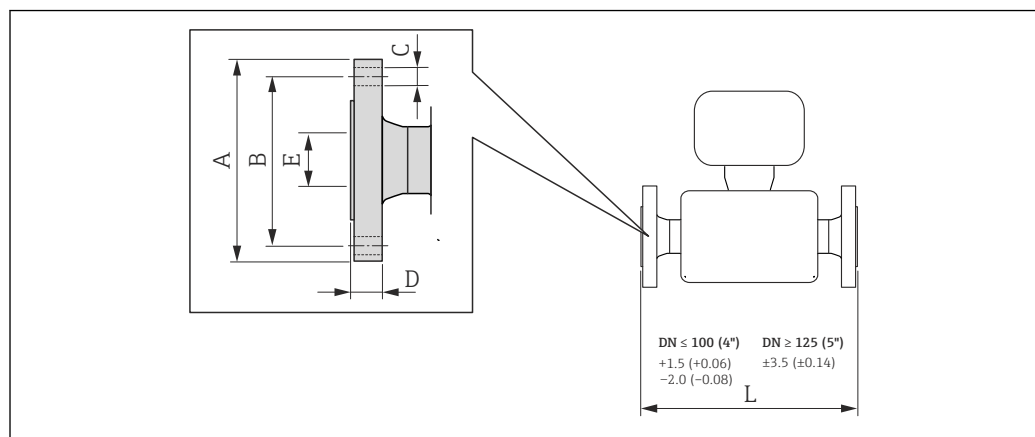
Flange according to ASME B16.5, Cl. 1500/Sch. 80: F316/F316L (order code for "Process connection", option AES)

Surface roughness (flange): ASME B16.5, Ra 3.2 to 6.3 μm

DN [mm]	A [mm]	B [mm]	\varnothing C [mm]	D [mm]	E [mm]	L [mm]
50	215.9	165.1	8 × 25.4	38.1	49.3	344.0
80	266.7	203.2	8 × 31.7	47.7	73.7	380.4
100	311.1	241.3	8 × 35.0	53.8	97.3	427.0
150	393.7	317.5	12 × 38.1	82.5	146.3	602.0

Flange connections JIS

High-pressure version



A0015621

30 Engineering unit mm (in)

Flange according to JIS B2220, 40K/Sch. 80: 1.4408 (CF3M), (order code for "Process connection", option NGS)

Surface roughness (flange): JIS B2220, Ra 3.2 to 6.3 μm

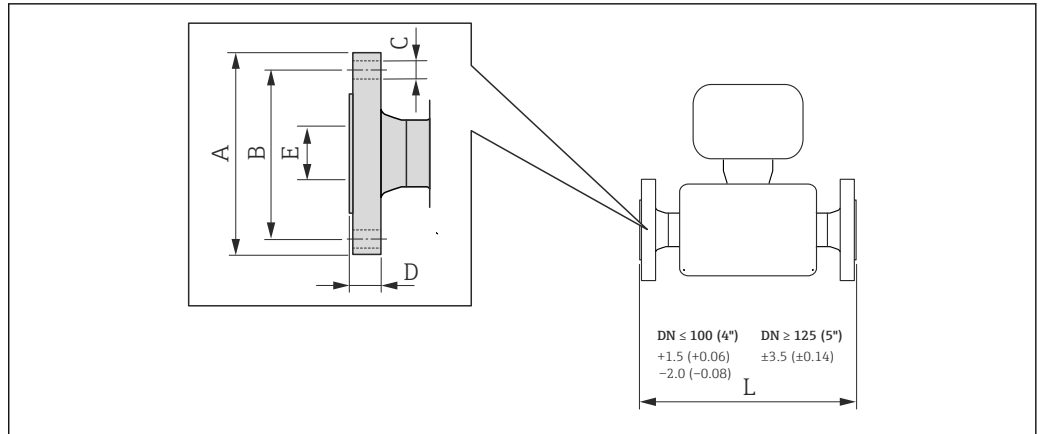
DN [mm]	A [mm]	B [mm]	\varnothing C [mm]	D [mm]	E [mm]	L [mm]
15 ¹⁾	115	80	4 × 19	23	13.9	200
25 ¹⁾	130	95	4 × 19	27	24.3	200
40	160	120	4 × 23	31	38.1	200
50	165	130	8 × 19	33	49.2	200
80	210	170	8 × 23	39	73.7	200
100	240	205	8 × 25	49	97.0	250
150	325	295	12 × 27	64	146.6	300

1) Not available as a Dualsens version

Process connections in US units

Flange connections ASME B16.5

High-pressure version



A0015621

31 Engineering unit mm (in)

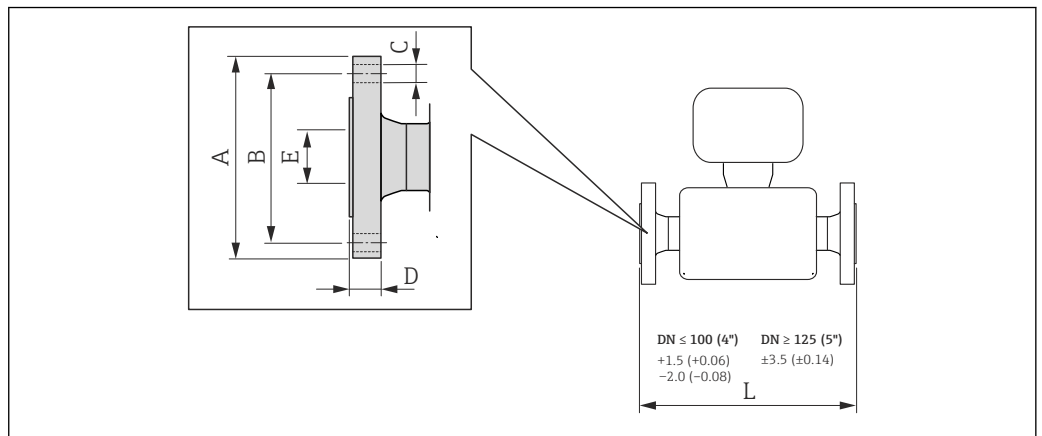
Flange according to ASME B16.5, Cl. 600/Sch. 80: CF3M (order code for "Process connection", option ACS)

Surface roughness (flange): ASME B16.5, Ra 125 to 250µin

DN [in]	A [in]	B [in]	∅ C [in]	D [in]	E [in]	L [in]
½ ¹⁾	3.75	2.62	4 × 0.62	0.91	0.55	7.88
1 ¹⁾	4.89	3.5	4 × 0.75	1.06	0.96	7.88
1½	6.12	4.5	4 × 0.88	1.22	1.50	7.88
2	6.50	5	8 × 0.75	1.30	1.94	7.88
3	8.26	6.62	8 × 0.88	1.54	2.90	7.88
4	10.76	8.5	8 × 1	1.93	3.82	9.85
6	14.01	11.5	12 × 1.12	2.52	5.76	11.82

1) Not available as a Dualsens version

Ultra-high pressure version



A0015621

32 Engineering unit mm (in)

Flange according to ASME B16.5, Cl. 900/Sch. 80: F316/F316L (order code for "Process connection", option ADS)

Surface roughness (flange): ASME B16.5, Ra 125 to 250µin

DN [in]	A [in]	B [in]	∅ C [in]	D [in]	E [in]	L [in]
3	9.51	7.5	8 × 1	1.50	2.90	13.75
4	11.51	9.25	8 × 1.25	1.75	3.83	16.08
6	15.01	12.5	12 × 1.25	2.19	5.19	21.20

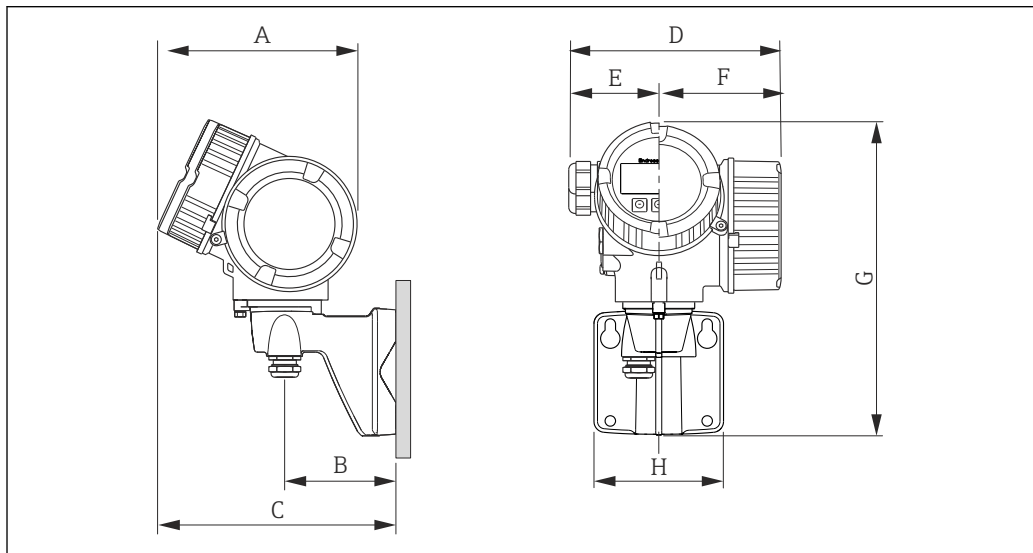
Flange according to ASME B16.5, Cl. 1500/Sch. 80: F316/F316L (order code for "Process connection", option AES)

Surface roughness (flange): ASME B16.5, Ra 125 to 250µin

DN [in]	A [in]	B [in]	∅ C [in]	D [in]	E [in]	L [in]
½	4.75	3.25	4 × 0.88	0.88	0.55	10.32
1	5.88	4	4 × 1	1.12	0.96	11.34
1½	7.01	4.88	4 × 1.12	1.25	1.50	12.05
2	8.51	6.5	8 × 1	1.50	1.94	13.55
3	10.51	8	8 × 1.25	1.88	2.90	14.99
4	12.26	9.5	8 × 1.38	2.12	3.83	16.82
6	15.51	12.5	12 × 1.5	3.25	5.76	23.72

Transmitter remote version

Order code for "Housing", option J "GT20, remote, aluminum coated"; option K "GT18 remote, 316L"



A0020089

Dimensions in SI units

A ¹⁾ [mm]	B [mm]	C ¹⁾ [mm]	D ²⁾ [mm]	E [mm]	F ²⁾ [mm]	G ³⁾ [mm]	H [mm]
162	90	191	165	75	90	254	107

- 1) For device version without local display: value - 7 mm
- 2) For device version with overvoltage protection (OVP): value + 8 mm
- 3) For device version without local operation: value - 10 mm

Dimensions in US units

A ¹⁾ [in]	B [in]	C [in]	D ²⁾ [in]	E [in]	F [in]	G ³⁾ [in]	H [in]
6.38	3.54	7.52	6.5	2.75	3.54	10.0	4.21

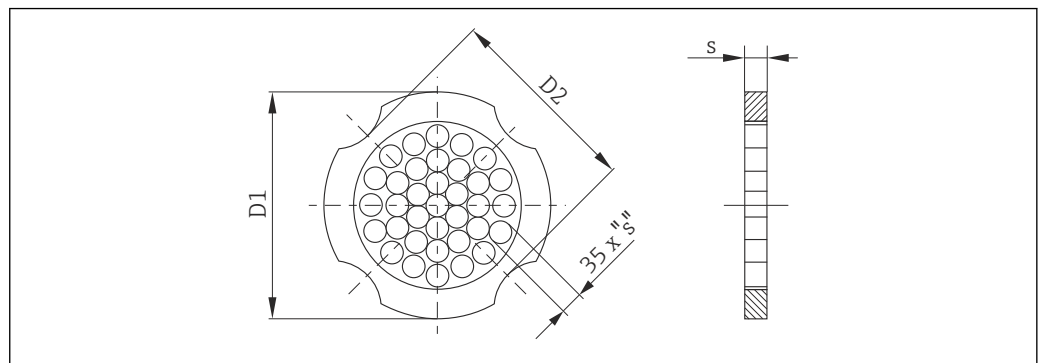
- 1) For device version without local display: value - 0.28 in
- 2) For device version with overvoltage protection (OVP): value + 0.31 in
- 3) For device version without local operation: value - 0.39 in

Accessories

Flow conditioner

Order code for "Accessory enclosed", option PF "Flow conditioner"

(according to EN 1092-1 (DIN 2501))



A0001941

Dimensions in SI units

DN [mm]	Pressure rating	Centering diameter [mm]	D1 ¹⁾ / D2 ²⁾	s [mm]
15	PN 63	64.3	D1	2.0
25	PN 63	85.3	D1	3.5
40	PN 63	106.3	D1	5.3
50	PN 63	116.3	D1	6.8
80	PN 63	151.3	D1	10.1
100	PN 63	176.5	D2	13.3
150	PN 63	252.0	D1	20.0

- 1) The flow conditioner is fitted at the outer diameter between the bolts.
- 2) The flow conditioner is fitted at the indentations between the bolts.

DN [mm]	Pressure rating	Centering diameter [mm]	D1 ¹⁾ / D2 ²⁾	s [mm]
15	40 K	66.3	D1	2.0
25	40 K	81.3	D1	3.5
40	40 K	102.3	D1	5.3
50	40 K	116.3	D1	6.8
80	40 K	151.3	D1	10.1
100	40 K	175.3	D1	13.3
150	40 K	252.0	D1	20.0

- 1) The flow conditioner is fitted at the outer diameter between the bolts.
 2) The flow conditioner is fitted at the indentations between the bolts.

Weight

Compact version

Weight data:

- Including the transmitter:
 - Order code for "Housing", option C: 1.8 kg (4.0 lb)
 - Order code for "Housing", option B: 4.5 kg (9.9 lb)
- Excluding packaging material

Weight in SI units

All values (weight) refer to devices with EN (DIN), PN 250 flanges. Weight information in [kg].

DN [mm]	Weight [kg]	
	Order code for "Housing", option C Aluminum, AlSi10Mg, coated	Order code for "Housing", option B Stainless steel, 1.4404 (316L)
15	15.1	17.8
25	16.1	18.8
40	21.1	23.8
50	23.1	27.8
80	41.1	43.8
100	64.1	66.8
150	152.1	154.8

Weight in US units

All values (weight) refer to devices with ASME B16.5, Class 1500/Sch. 80 flanges. Weight information in [lbs].

DN [in]	Weight [lbs]	
	Order code for "Housing", option C Aluminum, AlSi10Mg, coated	Order code for "Housing", option B Stainless steel, 1.4404 (316L)
½	29.0	34.9
1	37.8	43.7
1½	44.4	50.3
2	66.5	72.4
3	108.3	114.3
4	156.8	162.8
6	381.7	387.7

Transmitter remote version

Wall-mount housing

Depends on the material of the wall-mount housing:

- Aluminum, AlSi10Mg, coated: 2.4 kg (5.2 lb)
- Stainless steel, 1.4404 (316L): 6.0 kg (13.2 lb)

Sensor remote version

Weight data:

- Including the connection housing:
 - Aluminum, AlSi10Mg, coated: 0.8 kg (1.8 lb)
 - Stainless cast steel, 1.4408 (CF3M): 2.0 kg (4.4 lb)
- Excluding the connecting cable
- Excluding packaging material

Weight in SI units

All values (weight) refer to devices with EN (DIN), PN 250 flanges. Weight information in [kg].

DN [mm]	Weight [kg]	
	Connection housing Aluminum, AlSi10Mg, coated	Connection housing Stainless cast steel, 1.4408 (CF3M)
15	14.1	15.3
25	15.1	16.3
40	20.1	21.3
50	22.1	23.3
80	40.1	41.3
100	63.1	64.3
150	151.1	152.3

Weight in US units

All values (weight) refer to devices with ASME B16.5, Class 1500/Sch. 80 flanges. Weight information in [lbs].

DN [in]	Weight [lbs]	
	Connection housing Aluminum, AlSi10Mg, coated	Connection housing Stainless cast steel, 1.4408 (CF3M)
½	26.6	29.4
1	35.4	38.2
1½	42.0	44.8
2	64.1	66.8
3	105.9	108.7
4	154.5	157.2
6	379.3	382.1

Accessories*Flow conditioner**Weight in SI units*

DN ¹⁾ [mm]	Pressure rating	Weight [kg]
15	PN 63	0.05
25	PN 63	0.2
40	PN 63	0.4
50	PN 63	0.6
80	PN 63	1.4
100	PN 63	2.4
150	PN 63	7.8

1) EN (DIN)

DN ¹⁾ [mm]	Pressure rating	Weight [kg]
15	40K	0.06
25	40K	0.1
40	40K	0.3
50	40K	0.5
80	40K	1.3
100	40K	2.1
150	40K	6.2

1) JIS

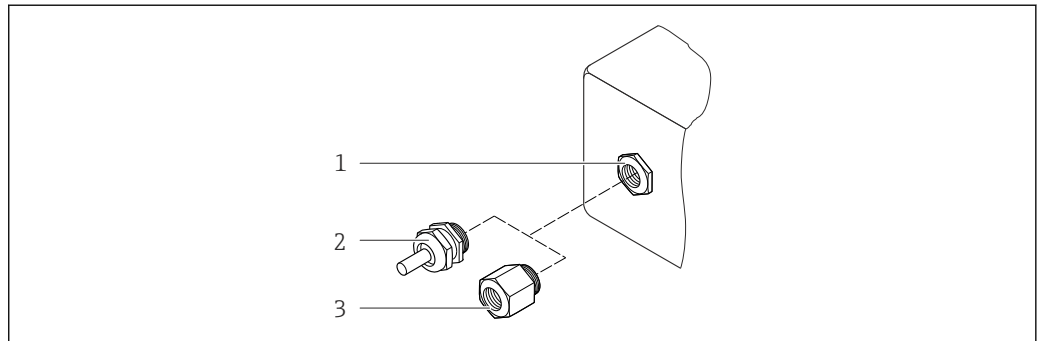
Materials**Transmitter housing****Compact version**

- Order code for "Housing", option **C** "Compact, aluminum coated":
Aluminum, AlSi10Mg, coated
- Order code for "Housing", option **B** "Compact, stainless":
For maximum corrosion resistance: stainless steel 1.4404 (316L)

Remote version

- Order code for "Housing", option **J** "Remote, aluminum coated":
Aluminum, AlSi10Mg, coated
- Order code for "Housing", option **K** "Remote, stainless":
For maximum corrosion resistance: stainless steel 1.4404 (316L)

Cable entries/cable glands



A0020640

33 Possible cable entries/cable glands

- 1 Cable entry in transmitter housing, wall-mount housing or connection housing with internal thread M20 x 1.5
- 2 Cable gland M20 x 1.5
- 3 Adapter for cable entry with internal thread G 1/2" or NPT 1/2"

Order code for "Housing", option B "Compact, stainless", option K "Remote, stainless"

Cable entry/cable gland	Type of protection	Material
Cable gland M20 x 1.5	<ul style="list-style-type: none"> ■ Non-Ex ■ Ex ia ■ Ex ic ■ Ex nA ■ Ex tb 	Stainless steel ,1.4404
Adapter for cable entry with internal thread G 1/2"	For non-Ex and Ex (except for CSA Ex d/XP)	Stainless steel, 1.4404 (316L)
Adapter for cable entry with internal thread NPT 1/2"	For non-Ex and Ex	

Order code for "Housing": option C "Compact, aluminum coated", option J "Remote, aluminum coated"

Cable entry/cable gland	Type of protection	Material
Cable gland M20 x 1.5	<ul style="list-style-type: none"> ■ Non-Ex ■ Ex ia ■ Ex ic 	Plastic
	Adapter for cable entry with internal thread G 1/2"	Nickel-plated brass
Adapter for cable entry with internal thread NPT 1/2"	For non-Ex and Ex (except for CSA Ex d/XP)	Nickel-plated brass
Thread NPT 1/2" via adapter	For non-Ex and Ex	

Connecting cable for remote version

- Standard cable: PVC cable with copper shield
- Reinforced cable: PVC cable with copper shield and additional steel wire braided jacket

Sensor connection housing

- Coated aluminum AlSi10Mg
- Stainless cast steel, 1.4408 (CF3M), in compliance with NACE MR0175-2003 and MR0103-2003

Measuring tubes**Pressure ratings up to PN 160, Class 600, and JIS 40K:**

Stainless cast steel, 1.4408 (CF3M), in compliance with AD2000 (for AD2000 the temperature range is limited to -10 to +400 °C (+14 to +752 °F)) and in compliance with NACE MR0175-2003 and MR0103-2003

Pressure ratings PN 250, Class 900 to 1500 and butt-weld version:

Stainless steel, 1.4571 similar to 316Ti, NACE available on request

DSC sensor**Pressure ratings up to PN 63/100/160, Class 600, and JIS 40K:**

Parts in contact with medium (marked as "wet" on the DSC sensor flange):
UNS N07718 similar to Alloy 718/2.4668, in compliance with NACE MR0175-2003 and MR0103-2003

Parts not in contact with medium:

- Stainless steel 1.4301 (304)
- Order code for "Sensor option", option CD "Harsh environment, DSC sensor, sensor components Alloy C22":
Alloy C22 sensor: UNS N06022 similar to Alloy C22/2.4602, in compliance with NACE MR0175-2003 and MR0103-2003

Pressure ratings up to PN 250, Class 900/1500:

- Parts in contact with medium (marked as "wet" on the DSC sensor flange):
Titanium Gr. 5 similar to 3.7165
- Parts not in contact with medium:
Stainless steel 1.4301 (304)

Process connections**Pressure ratings up to PN 63/100/160, Class 600, and JIS 40K:**

Stainless cast steel, multiple certifications, 1.4408 (CF3M)

Pressure ratings up to PN 250:

Stainless steel, 1.4571 similar to F316 Ti

Pressure ratings Class 900/1500:

Stainless steel, F316/F316L similar to 1.4404



List of all available process connections (→ 75)

Seals*High-pressure version*

- Graphite (standard)
Pressure rating PN 63 to 160, Class 600, JIS 40K: Sigraflex Hochdruck™ with smooth sheet metal insert made of stainless steel, 316/316L (BAM-certified for oxygen applications, "high quality in terms of TA Luft (German Clean Air Act)")
- FPM (Viton)
- Kalrez 6375
- Gylon 3504 (BAM-certified for oxygen applications, "high quality in terms of TA Luft (German Clean Air Act)")

Ultra-high pressure version

Graphite (standard)

Pressure rating PN 250, Class 900 to 1500: Grafoil with perforated metal insert made of stainless steel, 1.4404 (316/316L)

Housing support

Stainless steel, 1.4408 (CF3M)

Accessories*Weather protection cover*

Stainless steel 1.4404 (316L)

Flow conditioner

Stainless steel, multiple certifications, 1.4404 (316, 316L), in compliance with NACE MR0175-2003 and MR0103-2003

Process connections

- EN 1092-1 (DIN 2501)
- ASME B16.5
- JIS B2220

 For information on the materials of the process connections

Operability

Operating concept

Operator-oriented menu structure for user-specific tasks

- Commissioning
- Operation
- Diagnostics
- Expert level

Quick and safe commissioning

- Guided menus ("Make-it-run" wizards) for applications
- Menu guidance with brief explanations of the individual parameter functions

Reliable operation

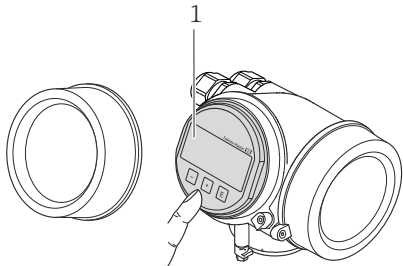
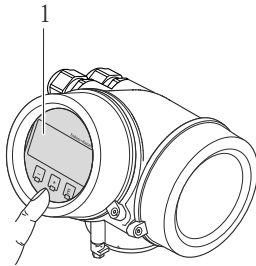
- Operation in the following languages:
 - Via local display: English, German, French, Spanish, Italian, Dutch, Portuguese, Polish, Russian, Swedish, Turkish, Chinese, Japanese, Korean, Bahasa (Indonesian), Vietnamese, Czech
 - Via "FieldCare" operating tool: English, German, French, Spanish, Italian, Chinese, Japanese
- Uniform operating philosophy applied to device and operating tools
- If replacing the electronic module, transfer the device configuration via the integrated memory (integrated HistoROM) which contains the process and measuring device data and the event logbook. No need to reconfigure.

Efficient diagnostics increase measurement availability

- Troubleshooting measures can be called up via the device and in the operating tools
- Diverse simulation options, logbook for events that occur and optional line recorder functions

Local operation

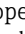
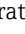
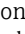
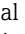

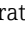
Via display module

Order code for "Display; Operation", option C "SD02"	Order code for "Display; Operation", option E "SD03"
 <p style="text-align: right; font-size: small;">A0015544</p>	 <p style="text-align: right; font-size: small;">A0015546</p>
1 Operation with pushbuttons	1 Operation with touch control

Display elements

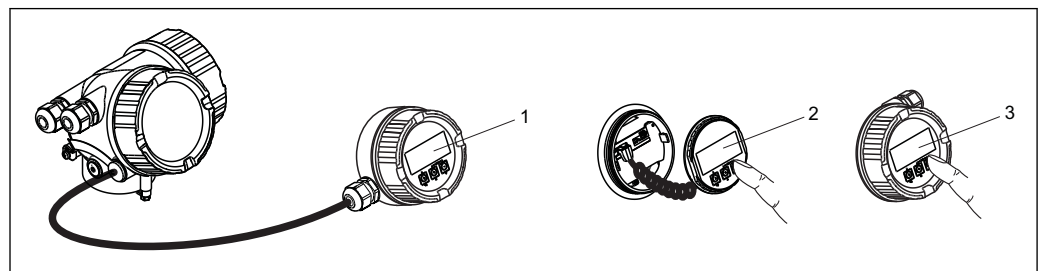
- 4-line display
- With order code for "Display; operation", option E: White background lighting; switches to red in event of device errors
- Format for displaying measured variables and status variables can be individually configured
- Permitted ambient temperature for the display: -20 to +60 °C (-4 to +140 °F)
The readability of the display may be impaired at temperatures outside the temperature range.

Operating elements


- With order code for "Display; operation", option **C**:
Local operation with 3 push buttons: , , 
- With order code for "Display; operation", option **E**:
External operation via touch control; 3 optical keys: , , 
- Operating elements also accessible in various hazardous areas

Additional functionality

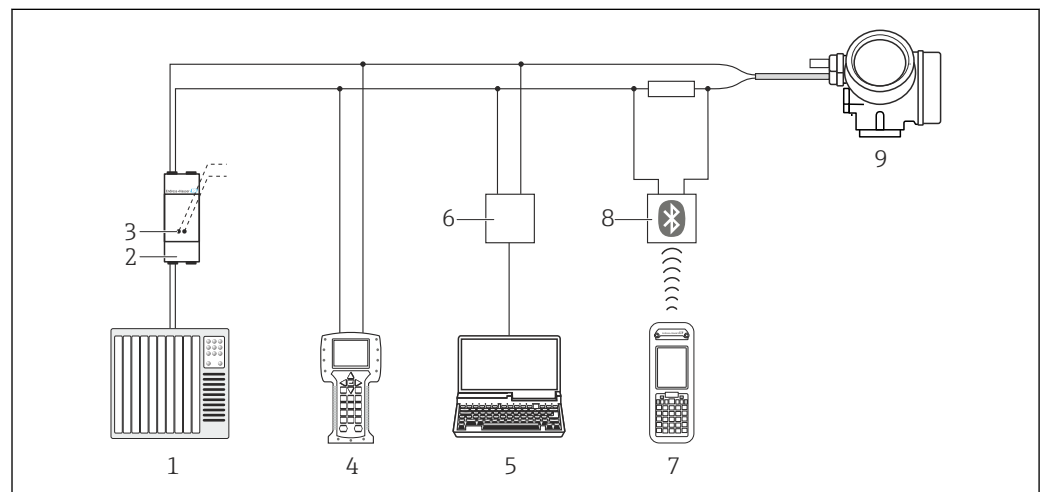
- Data backup function
The device configuration can be saved in the display module.
- Data comparison function
The device configuration saved in the display module can be compared to the current device configuration.
- Data transfer function
The transmitter configuration can be transmitted to another device using the display module.

Via remote display and operating module FHX50


A0013137

 34 Operating options via FHX50

- 1 Housing of remote display and operating module FHX50
- 2 SD02 display and operating module, push buttons: cover must be opened for operation
- 3 SD03 display and operating module, optical buttons: operation possible through cover glass

Remote operation**Via HART protocol**

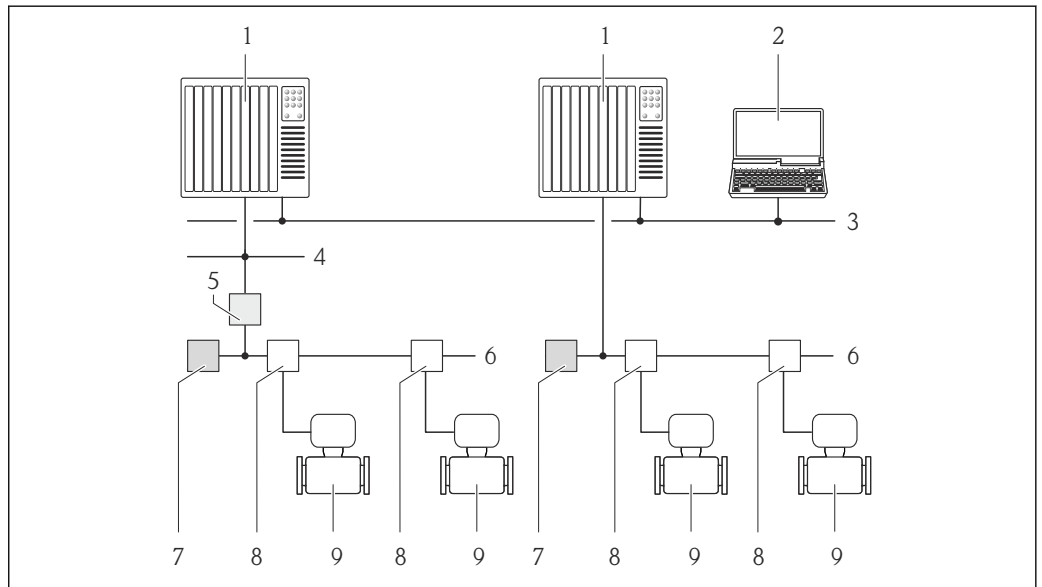
A0013764

 35 Options for remote operation via HART protocol

- 1 Control system (e.g. PLC)
- 2 Transmitter power supply unit, e.g. RN221N (with communication resistor)
- 3 Connection for Commubox FXA195 and Field Communicator 475
- 4 Field Communicator 475
- 5 Computer with operating tool (e.g. FieldCare, AMS Device Manager, SIMATIC PDM)
- 6 Commubox FXA195 (USB)
- 7 Field Xpert SFX350 or SFX370
- 8 VIATOR Bluetooth modem with connecting cable
- 9 Transmitter

Via FOUNDATION Fieldbus network

This communication interface is present in the following device version:
 Order code for "Output", option **E**: FOUNDATION Fieldbus

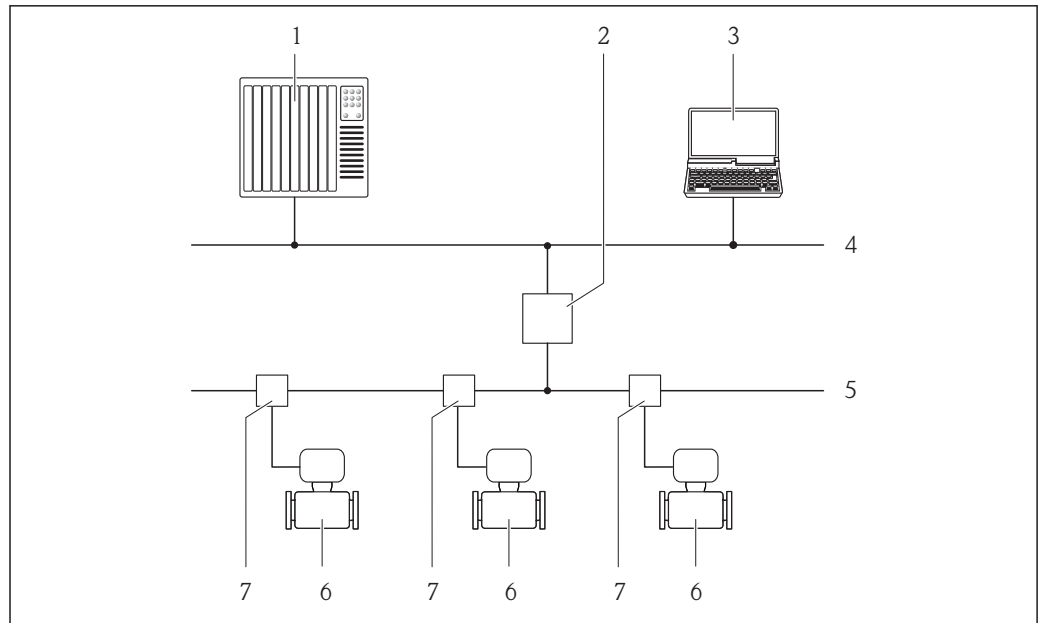


A0023460

- 1 Automation system
- 2 Computer with FOUNDATION Fieldbus network card
- 3 Industry network
- 4 High Speed Ethernet FF-HSE network
- 5 Segment coupler FF-HSE/FF-H1
- 6 FOUNDATION Fieldbus FF-H1 network
- 7 Power supply FF-H1 network
- 8 T-box
- 9 Measuring device

Via PROFIBUS PA network

This communication interface is present in the following device version:
 Order code for "Output", option **G**: PROFIBUS PA

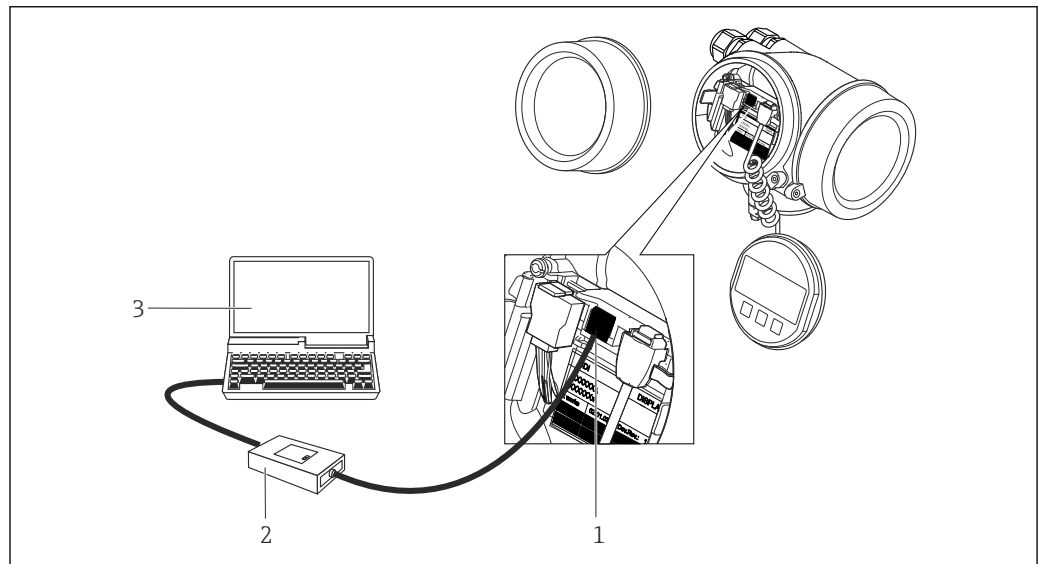


A0019013

- 1 Automation system
- 2 Segment coupler PROFIBUS DP/PA
- 3 Computer with PROFIBUS network card
- 4 PROFIBUS DP network
- 5 PROFIBUS PA network
- 6 Measuring device
- 7 T-box

Service interface

Service interface (CDI)



A0020545

- 1 Service interface (CDI = Endress+Hauser Common Data Interface) of the measuring device
- 2 Commubox FXA291
- 3 Computer with "FieldCare" operating tool with COM DTM "CDI Communication FXA291"

Certificates and approvals

CE mark

The measuring system is in conformity with the statutory requirements of the applicable EC Directives. These are listed in the corresponding EC Declaration of Conformity along with the standards applied.

Endress+Hauser confirms successful testing of the device by affixing to it the CE mark.

C-Tick symbol

The measuring system meets the EMC requirements of the "Australian Communications and Media Authority (ACMA)".

Ex approval

The measuring device is certified for use in hazardous areas and the relevant safety instructions are provided in the separate "Safety Instructions" (XA) document. Reference is made to this document on the nameplate.



The separate Ex documentation (XA) containing all the relevant explosion protection data is available from your Endress+Hauser sales center.

ATEX, IECEx

Currently, the following versions for use in hazardous areas are available:

Ex d

Category	Type of protection
II2G/Zone 1	Ex d ia IIC T6...T1
II1/2G/Zone 0/1	Ex d ia IIC T6...T1

Ex ia

Category	Type of protection
II2G/Zone 1	Ex ia IIC T6...T1
II1G/Zone 0	Ex ia IIC T6...T1
II1/2G/Zone 0/1	Ex ia IIC T6...T1

Ex ic

Category	Type of protection
II3G/Zone 2	Ex ic IIC T6...T1
II1/3G/Zone 0/2	Ex ic ia IIC T6...T1

Ex nA

Category	Type of protection
II3G/Zone 2	Ex nA IIC T6...T1

Ex tb

Category	Type of protection
II2D/Zone 21	Ex tb IIIC Txxx

cCSAus

Currently, the following versions for use in hazardous areas are available:

XP

Category	Type of protection
Class I, II, III Division 1 Groups A-G	XP (Ex d Flameproof version)

IS

Category	Type of protection
Class I, II, III Division 1 Groups A-G	IS (Ex i Intrinsically safe version)

NI

Category	Type of protection
Class I Division 2 Groups ABCD	NI (Non-incentive version), NIFW-Parameter*

*= Entity- und NIFW-Parameter gemäß Control Drawings

NEPSI

Currently, the following versions for use in hazardous areas are available:

Ex d

Category	Type of protection
Zone 1	Ex d ia IIC T1 ~ T6 Ex d ia Ga IIC T1 ~ T6
Zone 0/1	Ex d ia IIC T1 ~ T6 DIP A21 Ex d ia Ga IIC T1 ~ T6 DIP A21

Ex ia

Category	Type of protection
Zone 1	Ex ia IIC T1 ~ T6
Zone 0/1	Ex ia IIC T1 ~ T6 DIP A21

Ex ic

Category	Type of protection
II3G/Zone 2	Ex ic IIC T1 ~ T6
II1/3G/Zone 0/2	Ex ic ia Ga IIC T1 ~ T6

Ex nA

Category	Type of protection
Zone 2	Ex nA IIC T1 ~ T6 Ex nA ia Ga IIC T1 ~ T6

INMETRO

Currently, the following versions for use in hazardous areas are available:

Ex d

Category	Type of protection
-	Ex d ia IIC T6...T1

Ex ia

Category	Type of protection
-	Ex ia IIC T6...T1



Ex nA

Category	Type of protection
-	Ex nA IIC T6...T1 Ex nA[ia Ga] IIC T6...T1

Functional safety

The measuring device can be used for flow monitoring systems (min., max., range) up to SIL 2 (single-channel architecture) and SIL 3 (multichannel architecture with homogeneous redundancy) and is independently evaluated and certified by the TÜV in accordance with IEC 61508.

The following types of monitoring in safety equipment are possible:
Volume flow

 Functional Safety Manual with information on the SIL device (→  86)

FOUNDATION Fieldbus certification

FOUNDATION Fieldbus interface

The measuring device is certified and registered by the Fieldbus FOUNDATION. The measuring system meets all the requirements of the following specifications:

- Certified in accordance with FOUNDATION Fieldbus H1
- Interoperability Test Kit (ITK), revision version 6.1.1 (certificate available on request)
- Physical Layer Conformance Test
- The device can also be operated with certified devices of other manufacturers (interoperability)

Certification PROFIBUS

PROFIBUS interface

The measuring device is certified and registered by the PROFIBUS User Organization (PNO). The measuring system meets all the requirements of the following specifications:

- Certified in accordance with PROFIBUS PA Profile 3.02
- The device can also be operated with certified devices of other manufacturers (interoperability)

Pressure Equipment Directive

- With the PED/G1/x (x = category) marking on the sensor nameplate, Endress+Hauser confirms compliance with the "Essential Safety Requirements" specified in Annex I of the Pressure Equipment Directive 97/23/EC.
- Devices bearing this marking (PED) are suitable for the following types of medium: Media in Group 1 and 2 with a vapor pressure greater than, or smaller and equal to 0.5 bar (7.3 psi)
- Devices not bearing this marking (PED) are designed and manufactured according to good engineering practice. They meet the requirements of Art.3 Section 3 of the Pressure Equipment Directive 97/23/EC. The range of application is indicated in tables 6 to 9 in Annex II of the Pressure Equipment Directive.

Experience

The Prowirl 200 measuring system is the official successor to Prowirl 72 and Prowirl 73.

Other standards and guidelines

- EN 60529
Degrees of protection provided by enclosures (IP code)
- DIN ISO 13359
Measurement of conductive liquid flow in closed conduits - Flanged-type electromagnetic flowmeters - Overall length
- EN 61010-1
Safety requirements for electrical equipment for measurement, control and laboratory use
- IEC/EN 61326
Emission in accordance with Class A requirements. Electromagnetic compatibility (EMC requirements).
- NAMUR NE 21
Electromagnetic compatibility (EMC) of industrial process and laboratory control equipment
- NAMUR NE 32
Data retention in the event of a power failure in field and control instruments with microprocessors
- NAMUR NE 43
Standardization of the signal level for the breakdown information of digital transmitters with analog output signal.
- NAMUR NE 53
Software of field devices and signal-processing devices with digital electronics

- NAMUR NE 105
Specifications for integrating fieldbus devices in engineering tools for field devices
- NAMUR NE 107
Self-monitoring and diagnosis of field devices
- NAMUR NE 131
Requirements for field devices for standard applications
- ASME BPVC Section VIII, Division 1
Rules for Construction of Pressure Vessels

Ordering information

Detailed ordering information is available from the following sources:

- In the Product Configurator on the Endress+Hauser web site: www.endress.com → Choose your country → Products → Select measuring technology, software or components → Select product (picklists: measurement method, product family etc.) → Device support (right-hand column): Configure the selected product → The Product Configurator for the selected product is opened.
- From your Endress+Hauser Sales Center: www.addresses.endress.com



Product Configurator - the tool for individual product configuration

- Up-to-the-minute configuration data
 - Depending on the device: Direct input of measuring point-specific information such as measuring range or operating language
 - Automatic verification of exclusion criteria
 - Automatic creation of the order code and its breakdown in PDF or Excel output format
 - Ability to order directly in the Endress+Hauser Online Shop

Application packages

Many different application packages are available to enhance the functionality of the device. Such packages might be needed to address safety aspects or specific application requirements.

The application packages can be ordered from Endress+Hauser either directly with the device or subsequently. Detailed information on the order code in question is available from your local Endress+Hauser sales center or on the product page of the Endress+Hauser website: www.endress.com.



Detailed information on the application packages:
Special Documentation on the device (→ 87)

Diagnostics functions

Package	Description
HistoROM extended function	<p>Comprises extended functions concerning the event log and the activation of the measured value memory.</p> <p>Event log: Memory volume is extended from 20 message entries (basic version) to up to 100 entries.</p> <p>Data logging (line recorder):</p> <ul style="list-style-type: none"> ▪ Memory capacity for up to 1000 measured values is activated. ▪ 250 measured values can be output via each of the 4 memory channels. The recording interval can be defined and configured by the user. ▪ Data logging is visualized via the local display or FieldCare.

Heartbeat Technology	
Package	Description
Heartbeat Verification	<p>Heartbeat Verification: Makes it possible to check the device functionality on demand when the device is installed, without having to interrupt the process.</p> <ul style="list-style-type: none"> ▪ Access via onsite operation or other operating interfaces, such as FieldCare for instance. ▪ Documentation of device functionality within the framework of manufacturer specifications, for proof testing for instance. ▪ End-to-end, traceable documentation of the verification results, including report. ▪ Makes it possible to extend calibration intervals in accordance with operator's risk assessment.

Air and industrial gases	
Package	Description
Air and industrial gases	<p>This application package enables users to calculate the density and energy of air and industrial gases. The calculations are based on time-tested standard calculation methods. It is possible to automatically compensate for the effect of pressure and temperature via an external or constant value.</p> <p>With this application package it is possible to output the energy flow, standard volume flow and mass flow of the following fluids:</p> <ul style="list-style-type: none"> ▪ Air ▪ Single gas ▪ Gas mixture ▪ User-specific gas


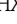





Natural gas	
Package	Description
Natural gas	<p>This application package enables users to calculate the chemical properties (gross calorific value, net calorific value) of natural gases. The calculations are based on time-tested standard calculation methods. It is possible to automatically compensate for the effect of pressure and temperature via an external or constant value.</p> <p>With this application package it is possible to output the energy flow, standard volume flow and mass flow based on the following standard methods:</p> <p>Energy can be calculated based on the following standards:</p> <ul style="list-style-type: none"> ▪ AGA5 ▪ ISO 6976 ▪ GPA 2172 <p>Density can be calculated based on the following standards:</p> <ul style="list-style-type: none"> ▪ ISO 12213-2 (AGA8-DC92) ▪ ISO 12213-3 ▪ AGA NX19 ▪ AGA8 Gross 1 ▪ SGERG 88

Accessories

Various accessories, which can be ordered with the device or subsequently from Endress+Hauser, are available for the device. Detailed information on the order code in question is available from your local Endress+Hauser sales center or on the product page of the Endress+Hauser website: www.endress.com.

Device-specific accessories









For the transmitter

Accessories	Description
Prowirl 200 transmitter	<p>Transmitter for replacement or for stock. Use the order code to define the following specifications:</p> <ul style="list-style-type: none"> ■ Approvals ■ Output ■ Display / operation ■ Housing ■ Software <p> For details, see Installation Instructions EA01056D</p>
Remote display FHX50	<p>FHX50 housing to accommodate a display module (→  76).</p> <ul style="list-style-type: none"> ■ FHX50 housing suitable for: <ul style="list-style-type: none"> – SD02 display module (push buttons) – SD03 display module (touch control) ■ Housing material: <ul style="list-style-type: none"> – Plastic PBT – 316L ■ Length of connecting cable: up to max. 60 m (196 ft) (cable lengths available for order: 5 m (16 ft), 10 m (32 ft), 20 m (65 ft), 30 m (98 ft)) <p>The measuring device can be ordered with the FHX50 housing and a display module. The following options must be selected in the separate order codes:</p> <ul style="list-style-type: none"> ■ Order code for measuring device, feature 030: Option L or M "Prepared for FHX50 display" ■ Order code for FHX50 housing, feature 050 (device version): Option A "Prepared for FHX50 display" ■ Order code for FHX50 housing, depends on the desired display module in feature 020 (display, operation): <ul style="list-style-type: none"> – Option C: for an SD02 display module (push buttons) – Option E: for an SD03 display module (touch control) <p>The FHX50 housing can also be ordered as a retrofit kit. The measuring device display module is used in the FHX50 housing. The following options must be selected in the order code for the FHX50 housing:</p> <ul style="list-style-type: none"> ■ Feature 050 (measuring device version): option B "Not prepared for FHX50 display" ■ Feature 020 (display, operation): option A "None, existing displayed used" <p> For details, see Special Documentation SD01007F</p>
Overvoltage protection for 2-wire devices	<p>Ideally, the overvoltage protection module should be ordered directly with the device. See product structure, characteristic 610 "Accessory mounted", option NA "Overvoltage protection". Separate order necessary only if retrofitting.</p> <ul style="list-style-type: none"> ■ OVP10: For 1-channel devices (characteristic 020, option A): ■ OVP20: For 2-channel devices (characteristic 020, options B, C, E or G) <p> For details, see Special Documentation SD01090F.</p>
Weather protection cover	<p>Is used to protect the measuring device from the effects of the weather: e.g. rainwater, excess heating from direct sunlight or extreme cold in winter.</p> <p> For details, see Special Documentation SD00333F</p>
Connecting cable for remote version	<ul style="list-style-type: none"> ■ Connecting cable available in various lengths: <ul style="list-style-type: none"> – 5 m (16 ft) – 10 m (32 ft) – 20 m (65 ft) – 30 m (98 ft) ■ Reinforced cables available on request. <p> Standard length: 5 m (16 ft) Is always supplied if no other cable length has been ordered.</p>
Post mounting kit	<p>Post mounting kit for transmitter.</p> <p> The post mounting kit can only be ordered together with a transmitter.</p>

For the sensor


Accessories	Description
Flow conditioner	Is used to shorten the necessary inlet run.

Communication-specific accessories






Accessories	Description
Commubox FXA195 HART	For intrinsically safe HART communication with FieldCare via the USB interface.  For details, see "Technical Information" TI00404F
Commubox FXA291	Connects Endress+Hauser field devices with a CDI interface (= Endress+Hauser Common Data Interface) and the USB port of a computer or laptop.  For details, see the "Technical Information" document TI405C/07
HART Loop Converter HMX50	Is used to evaluate and convert dynamic HART process variables to analog current signals or limit values.  For details, see "Technical Information" TI00429F and Operating Instructions BA00371F
Wireless HART adapter SWA70	Is used for the wireless connection of field devices. The WirelessHART adapter can be easily integrated into field devices and existing infrastructures, offers data protection and transmission safety and can be operated in parallel with other wireless networks with minimum cabling complexity.  For details, see Operating Instructions BA00061S
Fieldgate FXA320	Gateway for the remote monitoring of connected 4-20 mA measuring devices via a Web browser.  For details, see "Technical Information" TI00025S and Operating Instructions BA00053S
Fieldgate FXA520	Gateway for the remote diagnostics and remote configuration of connected HART measuring devices via a Web browser.  For details, see "Technical Information" TI00025S and Operating Instructions BA00051S
Field Xpert SFX350	Field Xpert SFX350 is a mobile computer for commissioning and maintenance. It enables efficient device configuration and diagnostics for HART and FOUNDATION Fieldbus devices in the non-Ex area .  For details, see Operating Instructions BA01202S
Field Xpert SFX370	Field Xpert SFX370 is a mobile computer for commissioning and maintenance. It enables efficient device configuration and diagnostics for HART and FOUNDATION Fieldbus devices in the non-Ex area and the Ex area .  For details, see Operating Instructions BA01202S

Service-specific accessories


Accessories	Description
Applicator	Software for selecting and sizing Endress+Hauser measuring devices: <ul style="list-style-type: none"> ▪ Calculation of all the necessary data for identifying the optimum flowmeter: e.g. nominal diameter, pressure loss, accuracy or process connections. ▪ Graphic illustration of the calculation results Administration, documentation and access to all project-related data and parameters over the entire life cycle of a project. Applicator is available: <ul style="list-style-type: none"> ▪ Via the Internet: https://wapps.endress.com/applicator ▪ On CD-ROM for local PC installation.

W@M	<p>Life cycle management for your plant</p> <p>W@M supports you with a wide range of software applications over the entire process: from planning and procurement, to the installation, commissioning and operation of the measuring devices. All the relevant device information, such as the device status, spare parts and device-specific documentation, is available for every device over the entire life cycle.</p> <p>The application already contains the data of your Endress+Hauser device. Endress+Hauser also takes care of maintaining and updating the data records.</p> <p>W@M is available:</p> <ul style="list-style-type: none"> ■ Via the Internet: www.endress.com/lifecyclemanagement ■ On CD-ROM for local PC installation.
FieldCare	<p>FDT-based plant asset management tool from Endress+Hauser.</p> <p>It can configure all smart field units in your system and helps you manage them. By using the status information, it is also a simple but effective way of checking their status and condition.</p> <p> For details, see Operating Instructions BA00027S and BA00059S</p>

System components

Accessories	Description
Memograph M graphic display recorder	<p>The Memograph M graphic display recorder provides information on all relevant measured variables. Measured values are recorded correctly, limit values are monitored and measuring points analyzed. The data are stored in the 256 MB internal memory and also on a SD card or USB stick.</p> <p> For details, see "Technical Information" TI00133R and Operating Instructions BA00247R</p>
RN221N	<p>Active barrier with power supply for safe separation of 4-20 mA standard signal circuits. Offers bidirectional HART transmission.</p> <p> For details, see "Technical Information" TI00073R and Operating Instructions BA00202R</p>
RNS221	<p>Supply unit for powering two 2-wire measuring devices solely in the non-Ex area. Bidirectional communication is possible via the HART communication jacks.</p> <p> For details, see "Technical Information" TI00081R and Brief Operating Instructions KA00110R</p>
Cerabar M	<p>The pressure transmitter for measuring the absolute and gauge pressure of gases, steam and liquids. It can be used to read in the operating pressure value.</p> <p> For details, see "Technical Information" TI00426P, TI00436P and Operating Instructions BA00200P, BA00382P</p>
Cerabar S	<p>The pressure transmitter for measuring the absolute and gauge pressure of gases, steam and liquids. It can be used to read in the operating pressure value.</p> <p> For details, see "Technical Information" TI00383P and Operating Instructions BA00271P</p>

Documentation

-  For an overview of the scope of the associated Technical Documentation, refer to the following:
- The CD-ROM provided for the device (depending on the device version, the CD-ROM might not be part of the delivery!)
 - The *W@M Device Viewer* : Enter the serial number from the nameplate (www.endress.com/deviceviewer)
 - The *Endress+Hauser Operations App*: Enter the serial number from the nameplate or scan the 2-D matrix code (QR code) on the nameplate.

Standard documentation

Brief Operating Instructions

Measuring device	Documentation code
Prowirl R 200	KA01138D

Operating Instructions

Measuring device	Documentation code		
	HART	FOUNDATION Fieldbus	PROFIBUS PA
Prowirl O 200	BA01155D	BA01218D	BA01223D

Supplementary device-dependent documentation

Safety Instructions

Contents	Documentation code
ATEX/IECEX Ex d, Ex tb	XA01148D
ATEX/IECEX Ex ia, Ex tb	XA01151D
ATEX/IECEX Ex ic, Ex nA	XA01152D
cCSA _{US} XP	XA01153D
cCSA _{US} IS	XA01154D
NEPSI Ex d	XA01238D
NEPSI Ex i	XA01239D
NEPSI Ex ic, Ex nA	XA01240D
INMETRO Ex d	XA01250D
INMETRO Ex i	XA01042D
INMETRO Ex nA	XA01043D

Special Documentation

Contents	Documentation code
Information on the Pressure Equipment Directive	SD01163D
Functional Safety Manual	SD01162D
Heartbeat Technology	SD01204D
Natural gas	SD01194D
Air + Industrial Gases (Single Gas + Gas Mixtures)	SD01195D

Installation Instructions

Contents	Documentation code
Installation Instructions for spare part sets	Specified for each individual accessory (→ 84)

Registered trademarks

HART®

Registered trademark of the HART Communication Foundation, Austin, USA

PROFIBUS®

Registered trademark of the PROFIBUS User Organization, Karlsruhe, Germany

FOUNDATION™ Fieldbus

Registration-pending trademark of the Fieldbus Foundation, Austin, Texas, USA

KALREZ®, VITON®

Registered trademarks of DuPont Performance Elastomers L.L.C., Wilmington, DE USA

GYLON®

Registered trademark of Garlock Sealing Technologies, Palmyra, NY, USA

Applicator[®], FieldCare[®], Field Xpert[™], HistoROM[®], Heartbeat Technology[™]
Registered or registration-pending trademarks of the Endress+Hauser Group

www.addresses.endress.com
