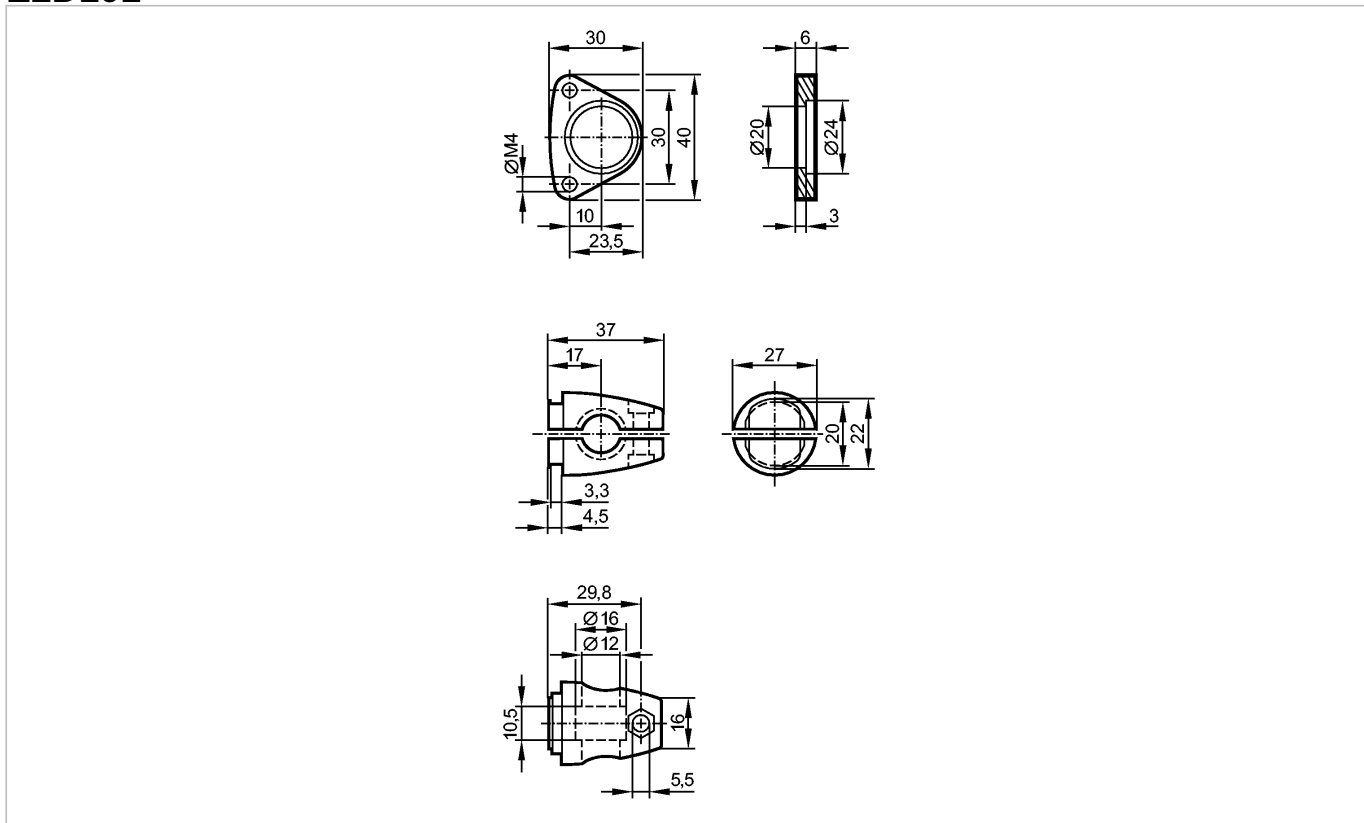


E2D101

Zubehör



Made in Germany

Produktmerkmale

Montageset

Klemmzylindermontage

Mechanische Daten

Gehäusewerkstoffe Halteelement: V2A (1.4301); Klemmzylinder: V4A (1.4408); Schrauben: V2A; Mutter: V4A

Montageart Rundprofil Ø 12 mm

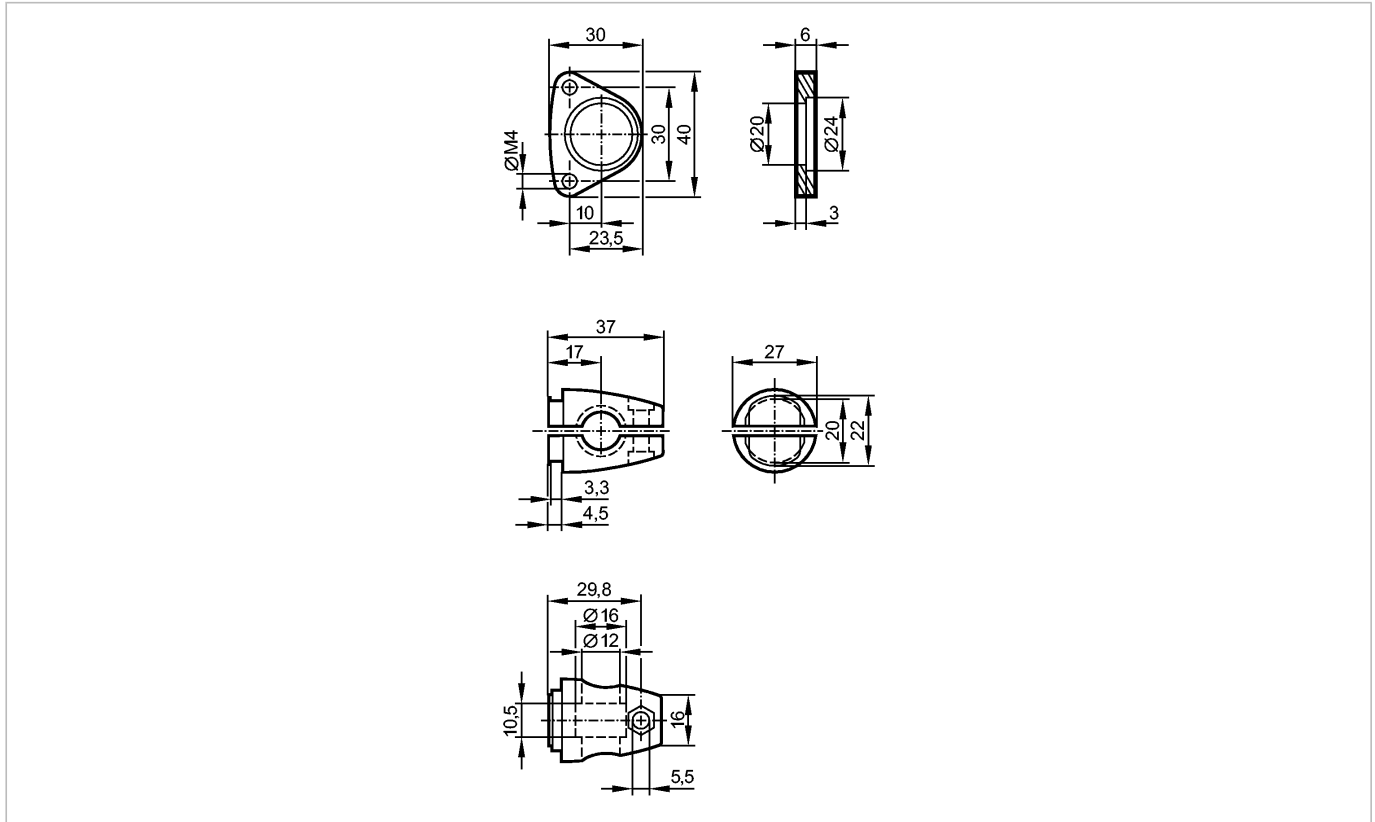
Gewicht [kg] 0,12

Zubehör

Zubehör (mitgeliefert) 2 Innensechskantschrauben M4 x 45

E2D101

Accessories



Made in Germany

Product characteristics

Mounting set

Clamp mounting

Mechanical data

Housing materials

fixture: stainless steel (304S15); clamp: stainless steel (316C); screws: stainless steel; Nut: high-grade stainless steel

Type of mounting

rod mounting Ø 12 mm

Weight

[kg]

0.12

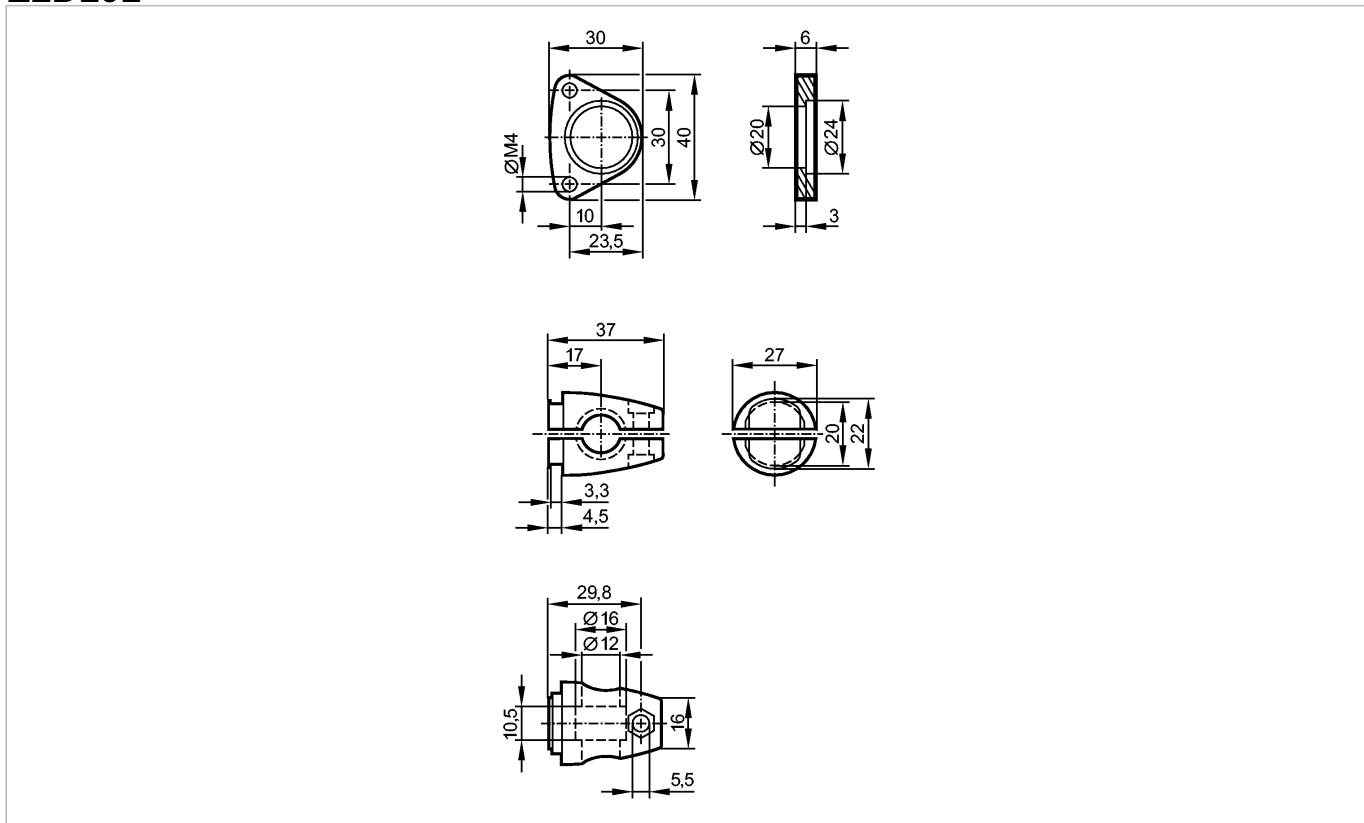
Accessories

Accessories (included)

2 socket head screws M4 x 45

E2D101

Accessoires



Made in Germany

Caractéristiques du produit

Kit de montage

Montage par cylindre de serrage

Données mécaniques

Matières boîtier

équerre de fixation: inox (1.4301 / 304); cylindre de serrage: inox (1.4408 / 316);
vis: inox; Écrou: inox

Type de montage

profil rond Ø 12 mm

Poids

[kg]

0,12

Accessoires

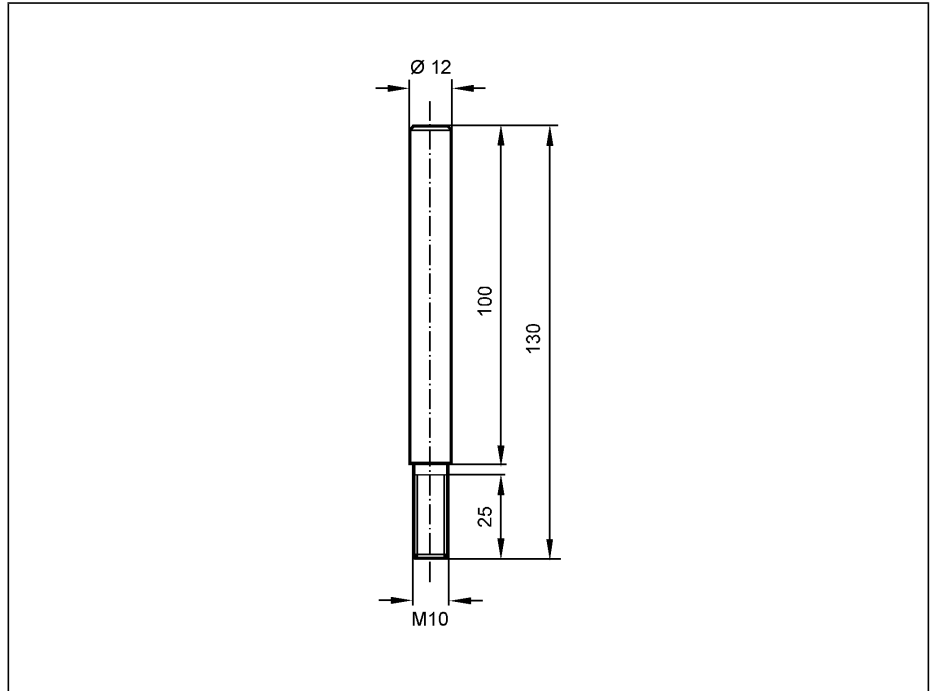
Accessoires (fournis)

2 vis à six pans creux M4 x 45

Zubehör

E20938

Rundprofil
 Ø 12 / M10 mm



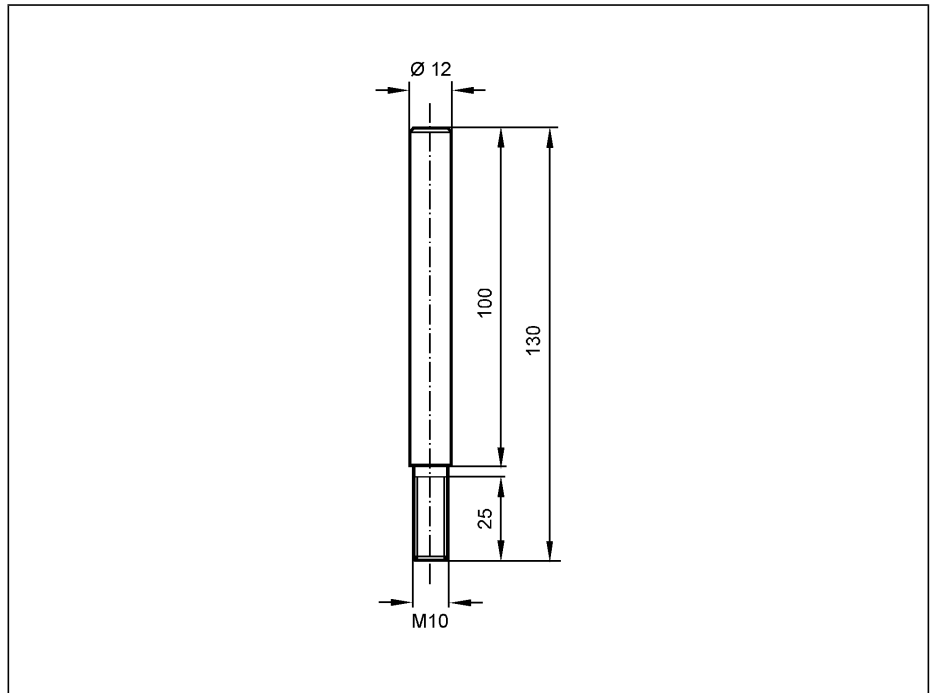
Made in Germany

| | |
|---------------------|--------------|
| Länge L [mm] | 130 |
| Ausführung | gerade |
| Gehäusewerkstoffe | V4A (1.4571) |
| Gewicht [kg] | 0,152 |

Accessories

E20938

mounting rod
 Ø 12 / M10 mm



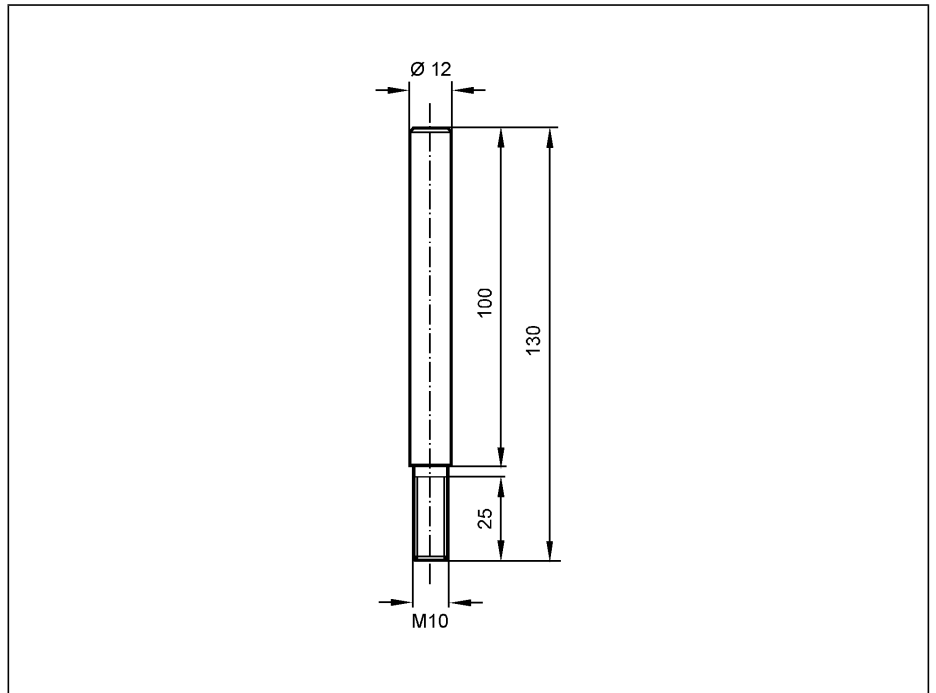
Made in Germany

| | |
|----------------------|--------------------------------|
| Length L [mm] | 130 |
| Design | straight |
| Housing materials | stainless steel 316Ti / 1.4571 |
| Weight [kg] | 0.152 |

Accessoires

E20938

profil rond
 Ø 12 / M10 mm



Made in Germany

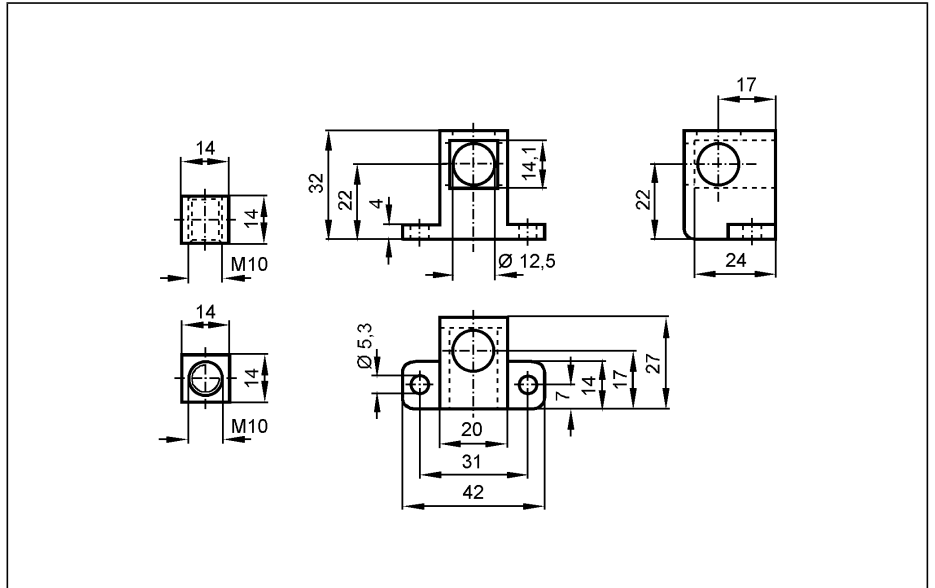
| | |
|------------------------|-----------------------|
| Longueur L [mm] | 130 |
| Version | droit |
| Matières boîtier | inox (1.4571 / 316Ti) |
| Poids [kg] | 0,152 |

Zubehör

E20951

Cube

M10



Made in Germany

| | |
|-------------------|------|
| Montageart | |
| Gehäusewerkstoffe | |
| Gewicht | [kg] |

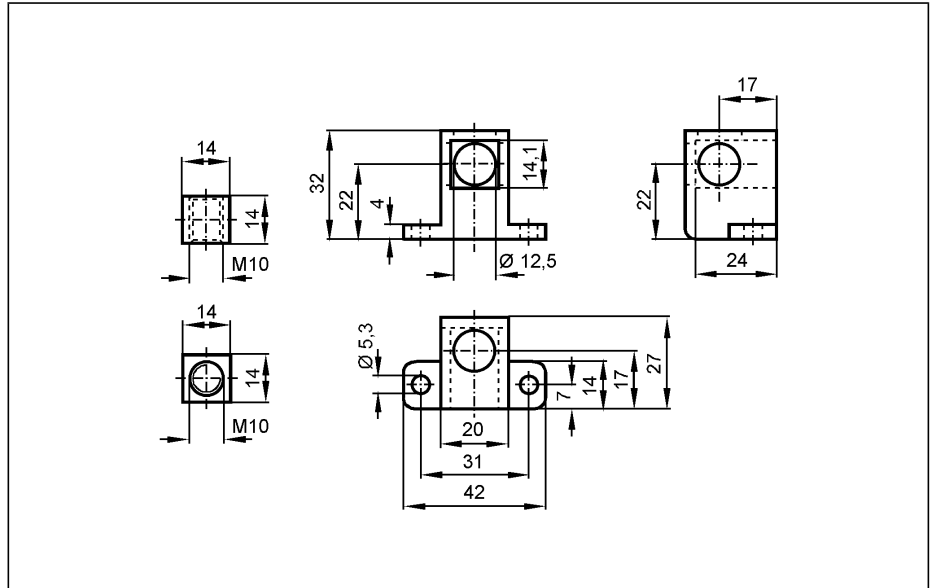
| |
|---------------|
| Aluprofil |
| Zinkdruckguss |
| 0,11 |

Accessories

E20951

Cube

M10



Made in Germany

| | |
|-------------------|------|
| Type of mounting | |
| Housing materials | |
| Weight | [kg] |

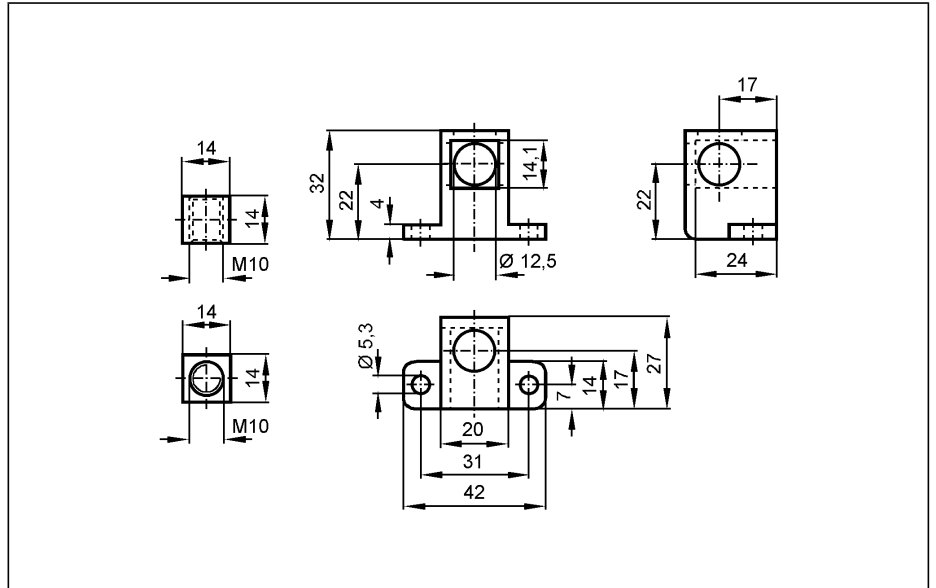
| |
|-------------------|
| aluminium profile |
| diecast zinc |
| 0.11 |

Accessoires

E20951

Cube

M10



Made in Germany

| | |
|------------------|------------------|
| Type de montage | profil aluminium |
| Matières boîtier | zamac |
| Poids [kg] | 0,11 |