

MLC-PS



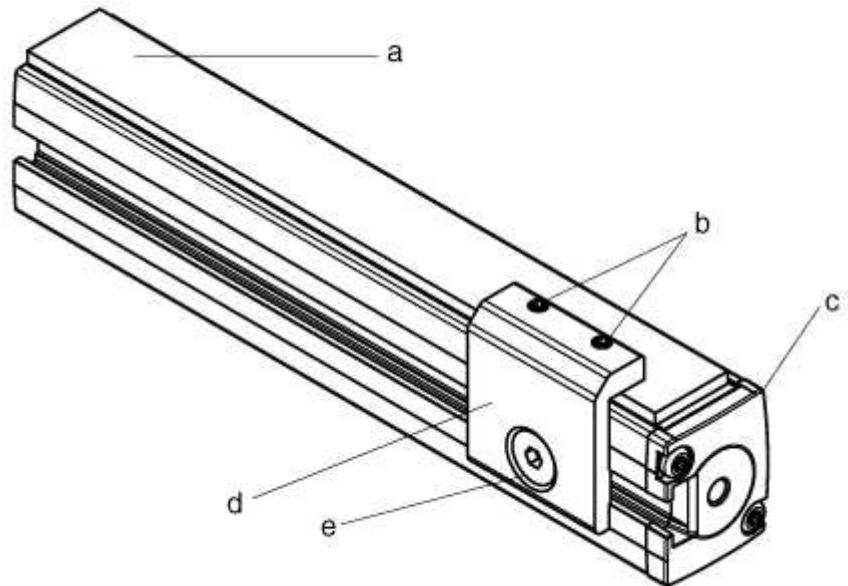
Protective screen for MLC 300 and MLC 500 Safety Light Curtains

The protective screens fastened on the MLC Safety Light Curtains prevent the device's front screen from being damaged. Should the protective screen be damaged during daily operation, it can be replaced easily.

Features

- Suitable for MLC 300 and MLC 500
- Protective screen made of PMMA, clear
- Strong and sturdy installation with two or three supports
- Damaged protective screens are easy to swap out

Assembly drawing



- a = Protective screens
- b = Threaded pin M4x8
- c = MLC transmitter or receiver
- d = Support
- e = Countersunk screw M6 x 10 and sliding block

Areas of application

Protection of the front screen of the device under harsh ambient conditions.

Order guide

Selection table:

Part no.	Article	Description	Length	Suitable support
347070	MLC-PS150	Protective screen 150 mm	148 mm	429038 MLC-2PSF Set, consisting of two supports
347071	MLC-PS225	Protective screen 225 mm	223 mm	
347072	MLC-PS300	Protective screen 300 mm	298 mm	
347073	MLC-PS450	Protective screen 450 mm	448 mm	
347074	MLC-PS600	Protective screen 600 mm	598 mm	
347075	MLC-PS750	Protective screen 750 mm	748 mm	
347076	MLC-PS900	Protective screen 900 mm	898 mm	
347077	MLC-PS1050	Protective screen 1050 mm	1048 mm	
347078	MLC-PS1200	Protective screen 1200 mm	1198 mm	429039 MLC-3PSF Set, consisting of three supports
347079	MLC-PS1350	Protective screen 1350 mm	1348 mm	
347080	MLC-PS1500	Protective screen 1500 mm	1498 mm	
347081	MLC-PS1650	Protective screen 1650 mm	1648 mm	
347082	MLC-PS1800	Protective screen 1800 mm	1798 mm	

i Please note that the range of the Safety Light Curtain is reduced by approx. 10 % per screen with the use of protective screens.

Leuze electronic GmbH + Co. KG

In der Braike 1
D-73277 Owen / Germany
Phone +49 7021 573-0
Fax +49 7021 573-199
www.leuze.com
info@leuze.de