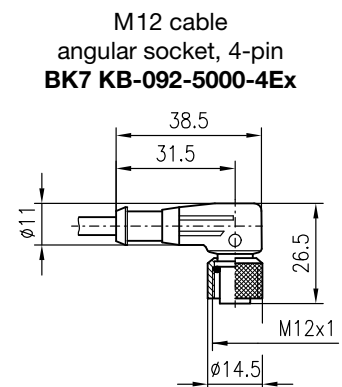
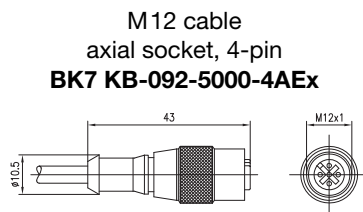


Dimensioned drawing

en 04-2014/08 50112970



- For intrinsically safe Namur sensors with M12 connector
- With blue sheathing
- Protection class IP 67



Contact arrangement / colour code

3		4	1	br/BN
			2	ws/WH
			3	bl/BU
2			4	sw/BK

We reserve the right to make changes • DS_AccessoryKB_EX_en_50112970.fm



Connection cable for intrinsically safe circuits

Specifications

Electrical data

Operating voltage	≤ 15VDC
Internal capacitance	0.49nF
Internal inductance	10µH
Strand resistance	56Ω/km

Mechanical data

Cable	integral, PUR/PVC, blue, 5m
Handle body	TPU
Lock	screw fitting - brass nut, nickel-plated, recommended torque 0.5Nm
Conductor cross-section	0.34mm ²
Sheath diameter	5mm
Protection class	IP 67

Environmental data

Operating temperature range	-25°C ... +90°C
-----------------------------	-----------------

Tables

Order guide

Connection cable M12

Designation	Part No.	Design	Contacts	Cable length	Other features
BK7 KB-092-5000-4AEx	50037783	Axial socket	4	5m	
BK7 KB-092-5000-4Ex	50037784	Angular socket	4	5m	

Remarks

When wiring intrinsically safe circuits in potentially explosive areas, the applicable, national regulations for the installation of electrical equipment must be observed.