

the sensor people

BCL 21/22 SB with blue laser

Bar code reader with integrated decoder and connector unit MA 2 / MA 4... / MA 2xxi



Sales and Service

Germany

Sales Region North

Phone 07021/573-306
Tel. Int. + 34 93 4097900
Fax 07021/9850950

Postal code areas

20000-38999
40000-65999
97000-97999

Sales Region South

Phone 07021/573-307
Tel. Int. + 34 93 4097900
Fax 07021/9850911

Postal code areas

66000-96999

Sales Region East

Phone 035027/629-106
Tel. Int. + 381 11 3018 057
Fax 035027/629-107

Postal code areas

01000-19999
39000-39999
98000-99999

Worldwide

AR (Argentina)

Condelectric S.A.
Tel. Int. + 54 1148 361053
Fax Int. + 54 1148 361053

AT (Austria)

Schmachtl GmbH
Tel. Int. + 43 732 7646-0
Fax Int. + 43 732 7646-785

AU + NZ (Australia + New Zealand)

Balluff/Leuze Pty. Ltd.
Tel. Int. + 61 3 9720 4100
Fax Int. + 61 3 9738 2677

BE (Belgium)

Leuze electronic nv/sa
Tel. Int. + 32 2253 16-00
Fax Int. + 32 2253 15-36

BG (Bulgaria)

ATICS
Tel. Int. + 359 2 847 6244
Fax Int. + 359 2 847 6244

BR (Brasil)

Leuze electronic Ltda.
Tel. Int. + 55 11 5180-6130
Fax Int. + 55 11 5180-6141

CH (Switzerland)

Leuze electronic AG
Tel. Int. + 41 41 784 5656
Fax Int. + 41 41 784 5657

CL (Chile)

Imp. Tec. Vignola S.A.I.C.
Tel. Int. + 56 3235 11-11
Fax Int. + 56 3235 11-28

CN (China)

Leuze electronic Trading
(Shenzhen) Co. Ltd.
Tel. Int. + 86 755 862 64909
Fax Int. + 86 755 862 64901

CO (Colombia)

Componentes Electronicas Ltda.
Tel. Int. + 57 4 3511049
Fax Int. + 57 4 3511019

CZ (Czech Republic)

Schmachtl CZ s.r.o.
Tel. Int. + 420 244 0015-00
Fax Int. + 420 244 9107-00

DK (Denmark)

Leuze electronic Scandinavia ApS
Tel. Int. + 45 48 173200

ES (Spain)

Leuze electronic S.A.
Tel. Int. + 34 93 4097900
Fax Int. + 34 93 49035820

FI (Finland)

SKS-automatio Oy
Tel. Int. + 358 20 764-61
Fax Int. + 358 20 764-6820

FR (France)

Leuze electronic Sarl.
Tel. Int. + 33 160 0512-20
Fax Int. + 33 160 0503-65

GB (United Kingdom)

Leuze electronic Ltd.
Tel. Int. + 44 14 8040 85-00
Fax Int. + 44 14 8040 38-08

GR (Greece)

UTECO A.B.E.E.
Tel. Int. + 30 211 1206 900
Fax Int. + 30 211 1206 999

HK (Hong Kong)

Sensortech Company
Tel. Int. + 852 26510188
Fax Int. + 852 26510388

HR (Croatia)

Tipteh Zagreb d.o.o.
Tel. Int. + 385 1 381 6574
Fax Int. + 385 1 381 6577

HU (Hungary)

Kvaik Automatika Kft.
Tel. Int. + 36 1 272 2242
Fax Int. + 36 1 272 2244

ID (Indonesia)

P.T. Yabestindo Mitra Utama
Tel. Int. + 62 21 92861859
Fax Int. + 62 21 6451044

IL (Israel)

Galoz electronics Ltd.
Tel. Int. + 972 3 9023456
Fax Int. + 972 3 9021990

IN (India)

M + V Marketing Sales Pvt Ltd.
Tel. Int. + 91 124 4121623
Fax Int. + 91 124 434223

IT (Italy)

Leuze electronic S.r.l.
Tel. Int. + 39 02 26 1106-43
Fax Int. + 39 02 26 1106-40

JP (Japan)

C. Illies & Co., Ltd.
Tel. Int. + 81 3 3443 4143
Fax Int. + 81 3 3443 4118

KE (Kenia)

Profa-Tech Ltd.
Tel. Int. + 254 20 828095/6
Fax Int. + 254 20 828129

KR (South Korea)

Leuze electronic Co., Ltd.
Tel. Int. + 82 31 3828228
Fax Int. + 82 31 3828522

MK (Macedonia)

Tipteh d.o.o. Skopje
Tel. Int. + 389 70 399 474
Fax Int. + 389 23 174 197

MX (Mexico)

Movitren S.A.
Tel. Int. + 52 81 8371 8616
Fax Int. + 52 81 8371 8588

MY (Malaysia)

Ingermark (M) SDN BHD
Tel. Int. + 60 360 3427-88
Fax Int. + 60 360 3421-88

NG (Nigeria)

SABROW HI-TECH E. & A. LTD.
Tel. Int. + 234 80333 86366
Fax Int. + 234 80333 84463518

NL (Netherlands)

Leuze electronic BV
Tel. Int. + 31 418 65 35-44
Fax Int. + 31 418 65 38-08

NO (Norway)

Elteco A/S
Tel. Int. + 47 35 56 20-70
Fax Int. + 47 35 56 20-99

PL (Poland)

Balluff Sp. z o. o.
Tel. Int. + 48 71 338 49 29
Fax Int. + 48 71 338 49 30

PT (Portugal)

LA2P, Lda.
Tel. Int. + 351 21 4 447070
Fax Int. + 351 21 4 447075

RO (Romania)

O BOYLE s.r.l.
Tel. Int. + 40 2 56201346
Fax Int. + 40 2 56221036

RS (Republic of Serbia)

Tipteh d.o.o. Beograd
Tel. Int. + 381 11 3018 057
Fax Int. + 381 11 3018 326

RU (Russian Federation)

ALL IMPEX 2001
Tel. Int. + 7 495 9213012
Fax Int. + 7 495 6462092

SE (Sweden)

Leuze electronic Scandinavia ApS
Tel. Int. +46 380-490951

SG + PH (Singapore + Philippines)

Balluff Asia Pte Ltd
Tel. Int. + 65 6252 43-84
Fax Int. + 65 6252 90-60

SI (Slovenia)

Tipteh d.o.o.
Tel. Int. + 386 1200 51-50
Fax Int. + 386 1200 51-51

SK (Slovakia)

Schmachtl SK s.r.o.
Tel. Int. + 421 2 58275600
Fax Int. + 421 2 58275601

TH (Thailand)

Industrial Electrical Co. Ltd.
Tel. Int. + 66 2 642 6700
Fax Int. + 66 2 642 4250

TR (Turkey)

Leuze electronic San.ve Tic.Ltd.Sti.
Tel. Int. + 90 216 456 6704
Fax Int. + 90 216 456 3650

TW (Taiwan)

Great Colue Technology Co., Ltd.
Tel. Int. + 886 2 2983 80-77
Fax Int. + 886 2 2985 33-73

UA (Ukraine)

SV Altera OOO
Tel. Int. + 38 044 4961888
Fax Int. + 38 044 4961818

US + CA (United States + Canada)

Leuze electronic, Inc.
Tel. Int. + 1 248 486-4466
Fax Int. + 1 248 486-6699

ZA (South Africa)

Countapulse Controls (PTY) Ltd.
Tel. Int. + 27 116 1575-56
Fax Int. + 27 116 1575-13

1	General Information	5
1.1	Explanation of Symbols	5
1.2	Declaration of Conformity	5
2	Safety Notices	6
2.1	Safety Standards	6
2.2	Intended Use	6
2.3	Working Safely	7
3	Description	9
3.1	The bar code readers BCL 21/22	9
3.1.1	Networking	10
4	Specifications	12
4.1	General Specifications BCL 21/22 SB	12
4.2	LED Indicators	13
4.3	Dimensioned and Connection Drawings	14
4.4	Optical Data	15
4.4.1	Type overview	15
4.4.2	Optics variants and reading fields	17
5	Accessories / Order Designation	18
5.1	Accessories	18
5.1.1	Connector units MA 2/MA 4.../MA 2xxi	20
5.1.2	Fastening accessories	28
6	Installation.....	29
6.1	Storage, Transportation	29
6.2	Mounting	30
6.2.1	Device Arrangement	31
6.3	Connection	32
6.3.1	Connection BCL 21/22 stand alone	32
6.3.2	Connection BCL 21 with MA 2/MA 4... (RS 485)	34
6.3.3	Connection of the BCL 22 with connector unit/gateway MA 2xxi	44
6.3.4	Wire lengths and shielding	45
6.4	Disassembling, Packing, Disposing	45
7	Commissioning	46
7.1	Measures to be performed prior to the initial commissioning	46
7.2	Function Test	47
7.3	Setting the Parameters	48
7.3.1	Service operating mode	48

8	Operation	50
8.1	Display Elements	50
8.2	Error Handling	50
9	Communicating with the Device	51
9.1	Installing the "BCLConfig"-software	51
10	Important Parameters	53
10.1	Code menu	53
10.1.1	Properties of the Code menu- - - - -	54
10.2	Output menu	55
10.3	Control	56
10.4	Communication	57
10.4.1	Communication properties - - - - -	58
10.5	Reference Code	59
10.6	Switching Input	60
10.7	Switching Output	61
11	Online commands.....	62
11.1	Overview of commands and parameters	62
11.1.1	General 'Online' commands - - - - -	64
11.1.2	'Online' commands for system control - - - - -	71
11.1.3	'Online' commands for system checking - - - - -	73
11.1.4	'Online' command for querying error messages - - - - -	74
11.1.5	'Online' commands for laser adjustment - - - - -	75
11.1.6	'Online' commands for parameter handling - - - - -	76
12	Maintenance.....	79
12.1	General Maintenance Information	79
12.2	Repairs, Servicing	79
13	Appendix	80
13.1	ASCII Table	80
13.2	Example Bar Code Label Types	84
13.2.1	Module 0.3 - - - - -	84
13.2.2	Module 0.5 - - - - -	85
13.3	Declaration of Conformity BCL 21/22	86

Figure 2.1:	Attachment of the sticky labels with warning notices at the BCL 21/22 SB	8
Figure 3.1:	BCL 21/22 device construction	9
Figure 3.2:	Networking possibilities using the multiNet plus (BCL 21)	10
Table 4.1:	Technical data BCL 21/22 SB	12
Table 4.2:	LED indicators	13
Figure 4.1:	Dimensioned drawing BCL 21/22 SB	14
Figure 4.2:	Part number code BCL 21/22 SB	15
Table 4.3:	Overview of the BCL 21 types	16
Table 4.4:	Overview of the BCL 22 types	16
Figure 4.3:	Reading field of the B-optics version optimized for codes from 167 µm	17
Table 5.1:	General accessories BCL 21 and BCL 22	18
Table 5.2:	BCL 21 accessories	18
Table 5.3:	BCL 22 accessories	19
Figure 5.1:	Connector unit MA 2	20
Figure 5.2:	Dimensioned drawing connector unit MA 2	21
Figure 5.3:	Connector unit MA 4/MA 4D	22
Figure 5.4:	Dimensioned drawing connector unit MA 4/MA 4D	23
Figure 5.5:	Connector unit MA 4 1xx/MA 4 D 1xx	24
Figure 5.6:	Dimensioned drawing MA 4 1xx/MA 4 D 1xx	25
Figure 5.7:	Connector unit/gateway MA 2xx <i>i</i>	26
Table 5.4:	Type overview connector units/gateways MA 2xx <i>i</i>	26
Figure 5.8:	Dimensioned drawing MA 2xx <i>i</i>	27
Figure 5.9:	Mounting device BT 20	28
Figure 5.10:	Mounting device BT 21	28
Figure 6.1:	Device name plate BCL 21/22	29
Figure 6.2:	Mounting example BCL 21/22	30
Figure 6.3:	Applications with perpendicular and front side beam exit	31
Figure 6.4:	BCL 21/22 Sub-D pin assignments	32
Table 6.1:	Wiring description BCL 21	33
Table 6.2:	Wiring description BCL 22	33
Figure 6.5:	BCL 21/22 JST system pin assignments	34
Figure 6.6:	Connector unit MA 2	35
Table 6.3:	Terminal assignment MA 2	35
Table 6.4:	Terminal assignment voltage supply	36
Table 6.5:	Terminal assignment switching inputs	36
Table 6.6:	Terminal assignment switching outputs	36
Figure 6.7:	Circuitry MA 2	37
Figure 6.8:	Connector unit MA 4/MA 4D	37
Table 6.7:	Terminal assignment MA 4/MA 4D	38
Table 6.8:	Terminal assignment voltage supply	38
Table 6.9:	Terminal assignment switching inputs	39
Table 6.10:	Terminal assignment switching outputs	39
Figure 6.9:	Circuitry MA 4/MA 4D	40
Figure 6.10:	Connector unit MA 4 1xx/MA 4 D 1xx	41
Table 6.11:	Terminal assignment MA 4 1xx/MA 4 D 1xx	41
Table 6.12:	Terminal assignment voltage supply	42
Table 6.13:	Terminal assignment switching inputs	42
Table 6.14:	Terminal assignment switching outputs	43

Figure 6.11:	Circuitry MA 4 1xx/MA 4 D 1xx	43
Figure 6.12:	RS 232 device interface	44
Figure 6.13:	BCL 21/22 JST system pin assignments	44
Table 6.15:	Wire Lengths and Shielding	45
Figure 7.1:	Configuration elements in the MA 2	46
Figure 7.2:	Connecting the MA ... service interface to a PC or terminal	49
Figure 9.1:	Installation window	51
Figure 9.2:	Installation directory	52
Figure 10.1:	Standard setting of the Code menu	53
Figure 10.2:	Standard setting of the properties of the Code menu	54
Figure 10.3:	Output menu	55
Figure 10.4:	Control menu default settings	56
Figure 10.5:	Standard setting of the communication menu	57
Figure 10.6:	Standard setting of the property menu	58
Figure 10.7:	Reference Code menu	59
Figure 10.8:	Standard setting of the switching input menu	60
Figure 10.9:	Standard setting of the switching output menu	61
Table 11.1:	Online command overview	63
Figure 13.1:	Bar code sample labels (module 0.3)	84
Figure 13.2:	Bar code sample labels (module 0.5)	85
Figure 13.3:	Declaration of Conformity BCL 21/22	86

1 General Information

1.1 Explanation of Symbols

The symbols used in this operating manual are explained below.



Attention!

Pay attention to passages marked with this symbol. Failure to heed this information can lead to injuries to personnel or damage to the equipment.



Attention Laser!

This symbol warns of possible danger through hazardous laser radiation.



Notice!

This symbol indicates text passages containing important information.

1.2 Declaration of Conformity

The bar code reader BCL 21/22 SB and the connector units MA ... have been developed and produced in accordance with the applicable European standards and directives.

The bar code reader BCL 21/22 SB also fulfills the UL requirements (Underwriters Laboratory Inc.) for the USA and Canada.



Notice!

You can find the Declaration of Conformity of the devices in the appendix on page 86.

The manufacturer of the product, Leuze electronic GmbH & Co KG in D-73277 Owen, possesses a certified quality assurance system in accordance with ISO 9001.



2 Safety Notices

2.1 Safety Standards

The bar code readers BCL 21/22 and the connector units MA ... have been developed, produced and tested subject to the applicable safety standards. They correspond to the state of the art.

2.2 Intended Use



Attention!

This product may only be used by qualified personnel and must only be used for the approved purpose. This sensor is not a safety sensor and is not to be used for the protection of persons.

The protection of personnel and the device cannot be guaranteed if the device is operated in a manner not corresponding to its intended use.

Bar code readers of the type BCL 21/22 are conceived as stationary, high-speed scanners with integrated decoders for all current bar codes used for automatic object recognition.

The connector and interface units MA ... are intended for the easy connection of bar code readers of type BCL 21/22.

In particular, unauthorized uses include:

- rooms with explosive atmospheres
- operation for medical purposes

Areas of application

The bar code readers BCL 21/22 with optional connector unit MA ... are conceived particularly for the following fields of application:

- labeling and packaging machines
- automatic analyzers
- storage and conveying technologies, in particular for object identification on fast-moving conveyor belts
- pharmaceutical industry

2.3 Working Safely



Attention!

Access to or changes on the device, except where expressly described in this operating manual, is not authorized.

Safety regulations

Observe the locally applicable legal regulations and the rules of the employer's liability insurance association.

Qualified personnel

Mounting, commissioning and maintenance of the device must only be carried out by qualified personnel.

Electrical work must be carried out by a certified electrician.



Attention Laser Radiation!

WARNING: The bar code reader BCL 21/22 SB operates with a blue light laser of class 2 acc. to EN 60825-1. If you look into the beam path over a longer time period, the retina of your eye may be damaged!

Never look directly into the beam path!

Do not point the laser beam of the BCL 21/22 SB at persons!

When mounting and aligning the BCL 21/22 SB, take care to avoid reflections of the laser beam off reflective surfaces!

Heed the laser safety regulations according to DIN EN 60825-1 in their most current version! The output power of the laser beam at the reading window is at most 1.8mW acc. to (DIN) EN 60825-1.

The BCL 21/22 SB uses a laser diode with low power in the visible blue light range with an emitted wavelength of 405nm.

CAUTION - the use of operating and adjusting devices other than those specified here or carrying out of differing procedures may lead to dangerous exposure to radiation!

The housing of the bar code reader BCL 21/22 SB is labeled on the side, below the scanner window and on the rear with the following logotypes:

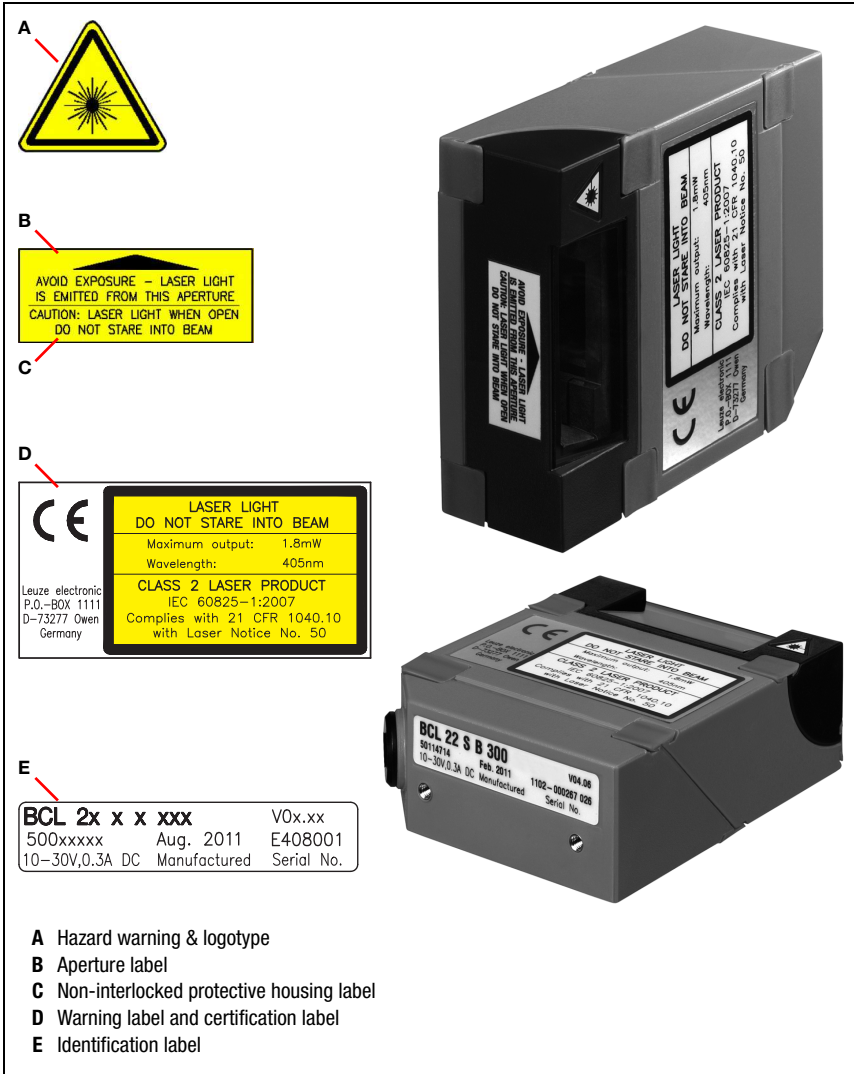


Figure 2.1: Attachment of the sticky labels with warning notices at the BCL 21/22 SB

3 Description

BCL 21/22 device construction

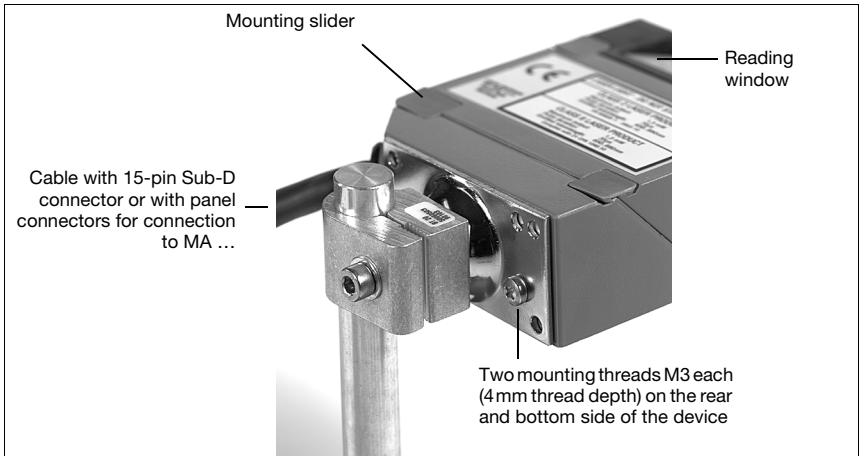


Figure 3.1: BCL 21/22 device construction

3.1 The bar code readers BCL 21/22

The bar code readers BCL 21/22 are high-speed scanners with integrated decoder for all bar codes currently in use, e.g. 2/5 Interleaved, EAN etc.

The many possible configurations allow the adaptation of the device to a multitude of reading tasks. Due to the small dimensions, the BCL 21/22 may also be used in highly constrained spaces. The low weight permits the installation into machines that were not designed for heavy components. The various beam exits (perpendicular/front side) extend the area of application of the BCL 21/22 and help it to adapt.

The connector units MA ... offer simple electrical installation in conjunction with the BCL 21. Information on technical data and characteristics can be found in chapter 4.

BCL 22 "stand alone"

The bar code reader BCL 22 is operated as a "stand-alone" device on the RS 232 interface. The BCL features a cable for the electrical connection of the supply voltage, the interface, and the switching inputs.

BCL 21 with MA2/MA 4...

If several BCLs are to be networked, the use of a connector unit MA 2/MA 4... is recommended for each BCL 21 with RS 485 interface. Electrical connection, commissioning, and service can be comfortably carried out in a short period of time. BCL 21 and MA 2/MA 4... are arranged separately. The two devices are connected by a cable.

3.1.1 Networking

Up to 30 scanners can be networked via the connector unit MA 2 and a bus master MA 30/31. For this, every BCL 21 is assigned its own hardware address in the corresponding MA 2. The devices are networked by connecting the individual RS 485 interfaces in parallel.

multiNet plus

In the Leuze *multiNet plus*, the individual network devices sequentially transfer their data to the network master MA 30/31 when requested. In addition, every bus node declared a slave receives a device address which is adjusted in the corresponding MA 2/MA 4... via a coding switch. The device address remains in the MA 2/MA 4... when the scanner is replaced.

The master then transmits the data of all network devices via its host interface to a primary PLC control system or a computer, i.e. it "collects" the scanner data in the network and transmits them to an interface on the host computer. This reduces interface costs (CPs) and time spent programming the software.

Networking via multiNet plus

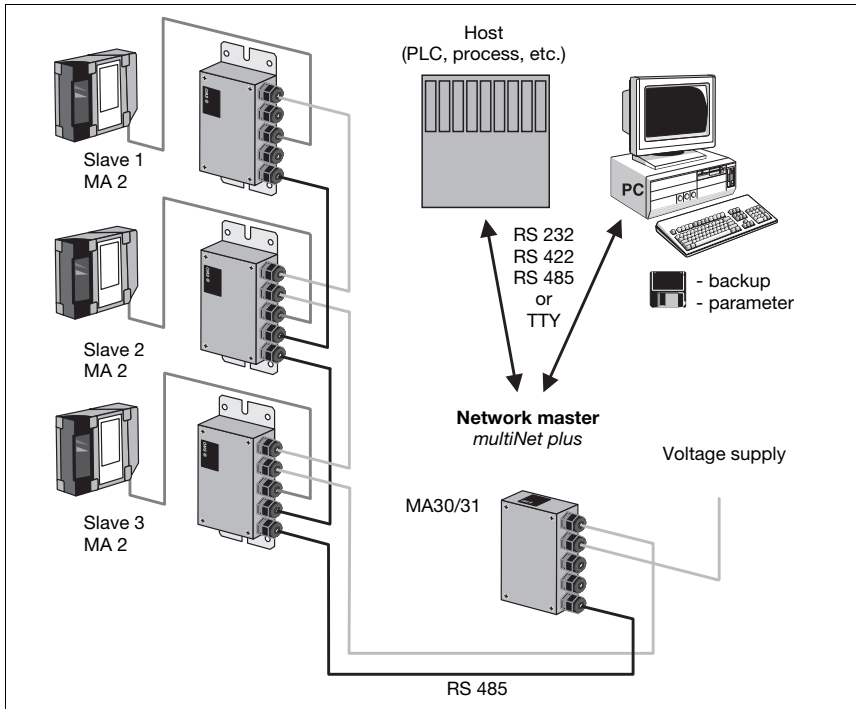


Figure 3.2: Networking possibilities using the *multiNet plus* (BCL 21)

Two-wire RS 485

The Leuze multiNet plus is optimized for fast transmission of scanner data to a primary host computer. The multiNet plus consists physically of a two-wire RS 485 interface through which the multiNet plus software protocol is controlled. This makes wiring the network easy and inexpensive as slaves are connected to one another in parallel.

Interface modules

Shielded, twisted pair conductors should be used for the multiNet. This allows a total network length of up to 1200 m. Connection of the network to the primary computer is made via the host interface of the MA 30/31 which can be equipped with 4 different physical interface modules. The available options are modules for RS 422, RS 232, TTY or RS 485.

Fieldbus connection

The MA 2xxi connector unit (see chapter 5.1 "Accessories") is available for connecting the BCL 22 to all common fieldbus systems.

4 Specifications

4.1 General Specifications BCL 21/22 SB

Optical data

Light source	laser diode, blue, approx. 405nm
Laser class	2 acc. to EN 60825-1 and 21 CFR 1040.10 with Laser Notice no. 50
Resolution / scanning rate	B-Optics: m = 0.167 ... 0.5 mm / 6.5 ... 20 mil / 800 scans/s
Beam deflection	by means of rotating polygon wheel
Reading distance	50 ... 220 mm (see reading curves)
Reading field opening	70mm at 50mm distance
Code types	2/5 Interleaved, Code 39, Code 93, Code 32, Code 128, EAN 128, EAN/UPC, EAN Adendum, Codabar, Pharma Code

Electrical data

Interface type	BCL 21: RS 485 BCL 22: RS 232
Baud rate	adjustable: 110 ... 115200 Baud
Data formats	data bits: 7, 8, 9 parity: None, Even, Odd stop bit: 1, 2
Ports	BCL 21: 1 switching output, 1 switching input BCL 22: 2 switching outputs, 2 switching inputs
Operating voltage	10 ... 30VDC (PELV) ¹⁾
Power consumption	3.2W
Safety class	III

Mechanical data

Protection class	IP 54 acc. to IEC 60529
Weight	180g/260g with cable
Dimensions (WxHxD)	82mm x 68mm x 28mm
Housing	plastic ABS / PC
Optical window	glass

Environmental conditions

Ambient temperature	0°C ... +40°C/-20°C ... +60°C (operation/storage)
Air humidity	max. 90% rel. humidity, non-condensing
Vibration	IEC 60068-2-6, test FC
Shock	IEC 60068-2-27, test Ea
Electromagnetic compatibility	EN 61000-6-2:2005, EN 61000-6-3:2007
Conformity	CE, UL, FCC class B

1) For UL applications: use is permitted exclusively in Class 2 circuits according to NEC

Table 4.1: Technical data BCL 21/22 SB



Notice!

You can find the Declaration of Conformity of the devices in the appendix on page 86.

4.2 LED Indicators

State	LED name / LED color		
	PWR/Ready green	ERR/ Error red	DEC/ Decode yellow
No voltage	off	off	off
Initialization (after reset)	flashing (cycle 1)	off	off
System ready	on	off	off
Reading gate active	on	off	on
Hardware error (defective engine, defective laser, defective system, etc.)	off	on	-
autoConfig/teach-in	flashing (cycle 1)	flashing (cycle 2)	-
Service interface active	on	flashing (cycle 2)	-

Table 4.2: LED indicators



Notice!

The flashing frequency is 5 Hz; cycle 2 is inverse to cycle 1.

4.3 Dimensioned and Connection Drawings

BCL 21/22 SB

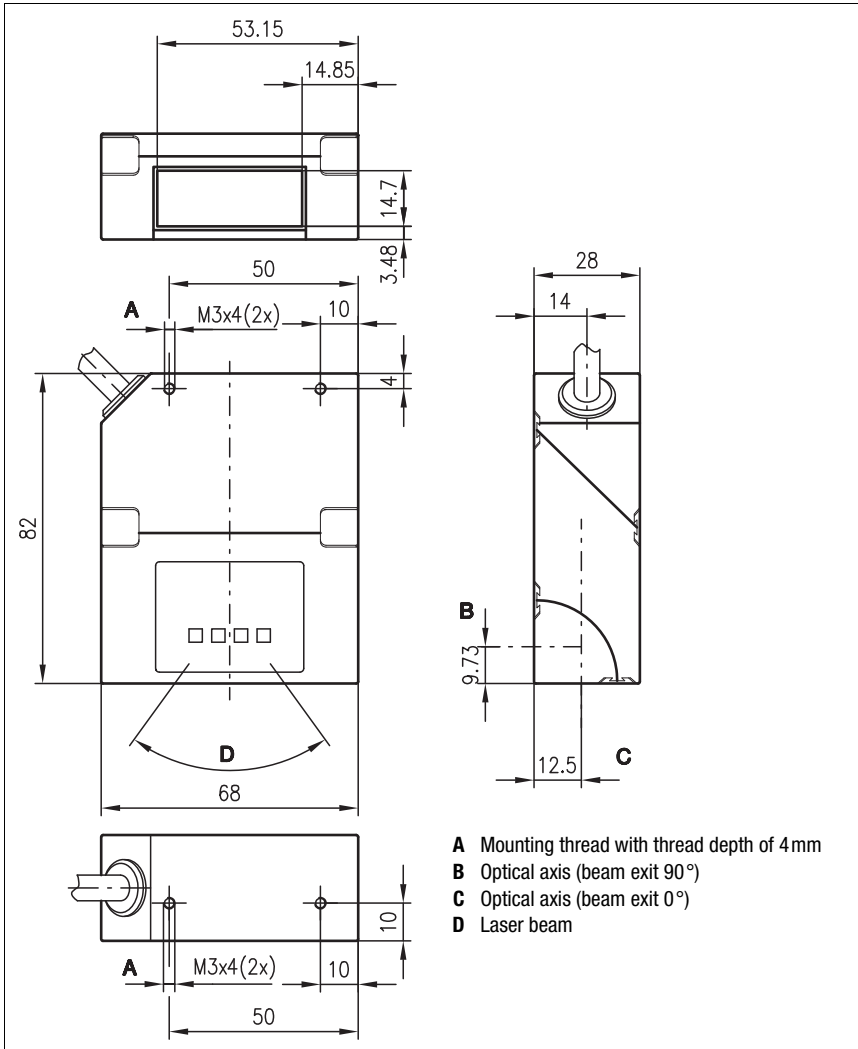


Figure 4.1: Dimensioned drawing BCL 21/22 SB

4.4 Optical Data



Notice!

Please note that the size of the bar code module influences the maximum reading distance and the width of the reading field. Therefore, when selecting a mounting location and/or the bar code label, take into account the different reading characteristics of the scanner with various bar code modules.

For different reading tasks, the BCL 21/22 SB is available in various versions. Please refer to the following table or the respective scanning curves for ratings.

4.4.1 Type overview

Part number code

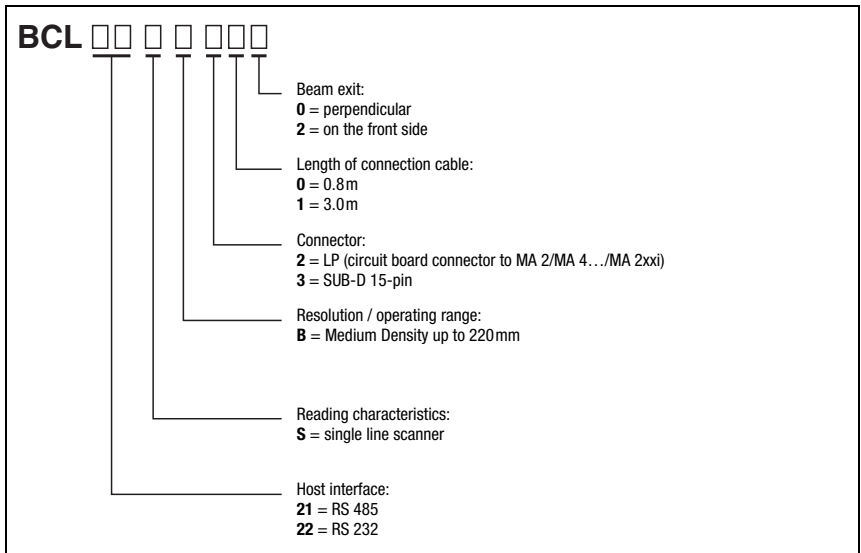


Figure 4.2: Part number code BCL 21/22 SB

Type overview BCL 21 with RS 485 interface and integrated decoder

Type	Part no.	Range	Scan rate (scans/s)	Reading characteristics
BCL 21 S B 300	50114706	220mm	800	Line scanner
BCL 21 S B 302	50114707	220mm	800	Line scanner
BCL 21 S B 200	50117069	220mm	800	Line scanner
BCL 21 S B 202	50117070	220mm	800	Line scanner
Modular connector units and accessories see chapter 5.1				

Table 4.3: Overview of the BCL 21 types

Type overview BCL 22 with RS 232 interface and integrated decoder

Type	Part no.	Range	Scan rate (scans/s)	Reading characteristics
BCL 22 S B 300	50114714	220mm	800	Line scanner
BCL 22 S B 302	50114715	220mm	800	Line scanner
BCL 22 S B 200	50117071	220mm	800	Line scanner
BCL 22 S B 202	50117072	220mm	800	Line scanner
Modular connector units and accessories see chapter 5.1				

Table 4.4: Overview of the BCL 22 types

4.4.2 Optics variants and reading fields

The BCL 21/22 SB is available with an optical variant (see chapter 4.1 "General Specifications BCL 21/22 SB").

- B optics: optimized for codes from 167 μm .

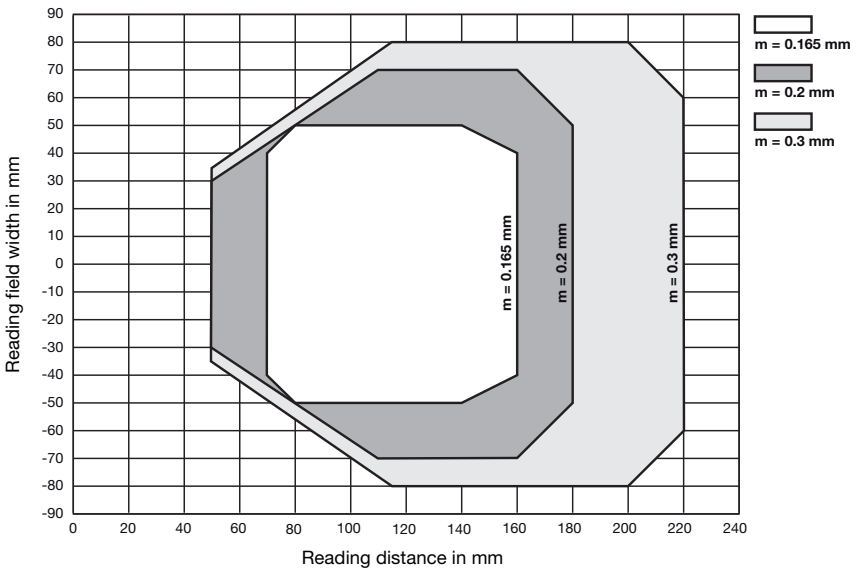
The following reading curve provides information about the operating ranges of the BCL 21/22 SB.



Notice!

Please notice that the real scanning curves are also influenced by factors such as labeling material, printing quality, scanning angle, printing contrast etc., and may thus deviate from the scanning curves specified here.

Scanning curves BCL 21/22 with B optics



Reference code for determining the reading curves:
2/5 Interleaved, Ratio 1:2.5, Grade <A>

Figure 4.3: Reading field of the B-optics version optimized for codes from 167 μm

5 Accessories / Order Designation

5.1 Accessories



Notice!

Products from Leuze electronic GmbH & Co KG can be ordered from any of the sales and service offices listed on the back of the cover page of this operating manual.

General accessories BCL 21 and BCL 22

Accessories	Part no.	Interface	Voltage	Function
BCL-Config	50031298	–	–	Programming software for the parameterization, (free download under www.leuze.com)
BT 20	50060503	–	–	Mounting device for rod and sheet metal clamp installation for BCL 21/22
BT 21	50037473	–	–	Stainless steel mounting device for BCL 21/22
MA 2	50031256	RS 232 RS 485	10 ... 30VDC	Connector unit, stand alone or network slave for BCL 21/22
MA 4	50031537	RS 232 RS 485	10 ... 30VDC	Connector unit, stand alone or network slave for BCL 21/22
MA 4D	50031536	RS 232 RS 485	10 ... 30VDC	Connector unit, stand alone or multiNet slave with display for BCL 21/22

Table 5.1: General accessories BCL 21 and BCL 22

BCL 21 accessories

Accessories	Part no.	Interface	Voltage	Function
MA 31 100	50030835	RS 485 RS 485	18 ... -36VDC	multiNet Master, flat housing cover
MA 31 110	50030836	RS 232 RS 485	18 ... -36VDC	multiNet Master, flat housing cover
MA 31 120	50030837	TTY RS 485	18 ... -36VDC	multiNet Master, flat housing cover
MA 31 130	50030838	RS 422 RS 485	18 ... -36VDC	multiNet Master, flat housing cover

Table 5.2: BCL 21 accessories

BCL 22 accessories

Accessories	Part no.	Interface	Voltage	Function
MA 4 D 110	50039662	RS 232	10 ... 30VDC	Connector unit, stand alone with display for BCL 22, electrically insulated
MA 4 D 120	50039663	TTY	10 ... 30VDC	Connector unit, stand alone with display for BCL 22
MA 4 D 130	50039664	RS 422	10 ... 30VDC	Connector unit, stand alone with display for BCL 22
MA 204i	50112893	PROFIBUS	18 - 30 V DC	Connector unit, gateway for BCL 22
MA 208i	50112892	Ethernet TCP/IP	18 - 30 V DC	Connector unit, gateway for BCL 22
MA 235i	50114154	CANopen	18 - 30 V DC	Connector unit, gateway for BCL 22
MA 238i	50114155	Ethercat	18 - 30 V DC	Connector unit, gateway for BCL 22
MA 248i	50112891	PROFINET	18 - 30 V DC	Connector unit, gateway for BCL 22
MA 255i	50114156	DeviceNet	18 - 30 V DC	Connector unit, gateway for BCL 22
MA 258i	50114157	Ethernet/IP	18 - 30 V DC	Connector unit, gateway for BCL 22

Table 5.3: BCL 22 accessories

5.1.1 Connector units MA 2/MA 4.../MA 2xxi

**Notice!**

The connector units are described here in brief only. For further information regarding the connector units please refer to the relevant data sheets.

Connector unit MA 2

The connector unit MA 2 is used to simplify the electrical installation of the BCL 21/22. It has the following advantages:

- Terminals for switching inputs and outputs, including supply voltage
- Terminals for feed-through of the RS 485 connection
- 9-pin sub-D plug for service interface
- Operating mode switch: service operation/standard operation
- Rotary switch for address setting

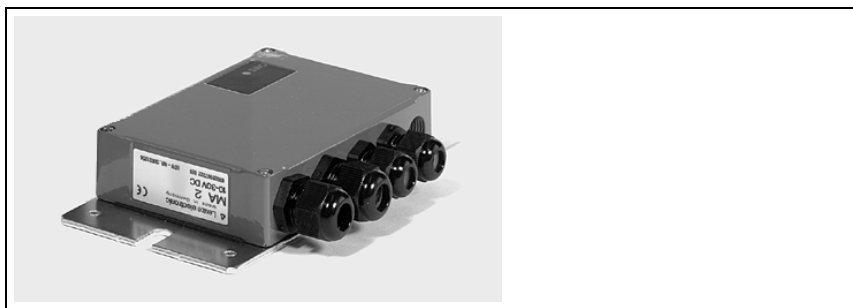


Figure 5.1: Connector unit MA 2

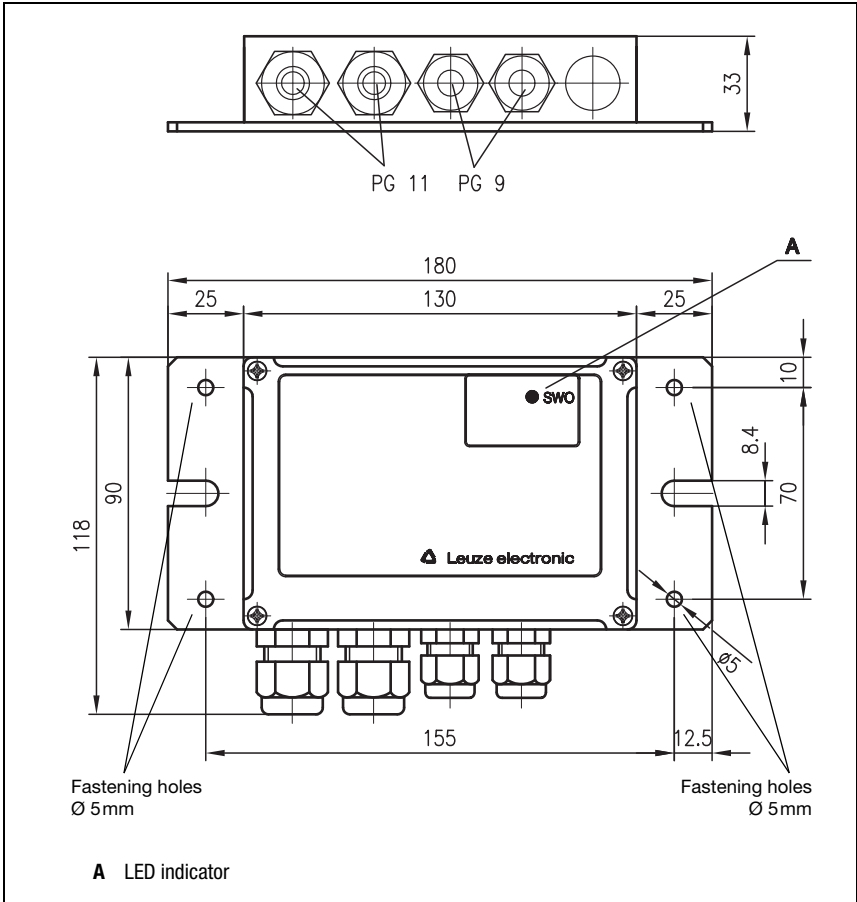


Figure 5.2: Dimensioned drawing connector unit MA 2

Connector unit MA 4/MA 4D

Apart from the advantages of the connector unit MA 2, the connector units MA 4/MA 4D have the following additional characteristics:

- Parameter memory for the BCL:
the BCL can be exchanged without the need for reconfiguration.
- Display (MA 4D only)



Figure 5.3: Connector unit MA 4/MA 4D

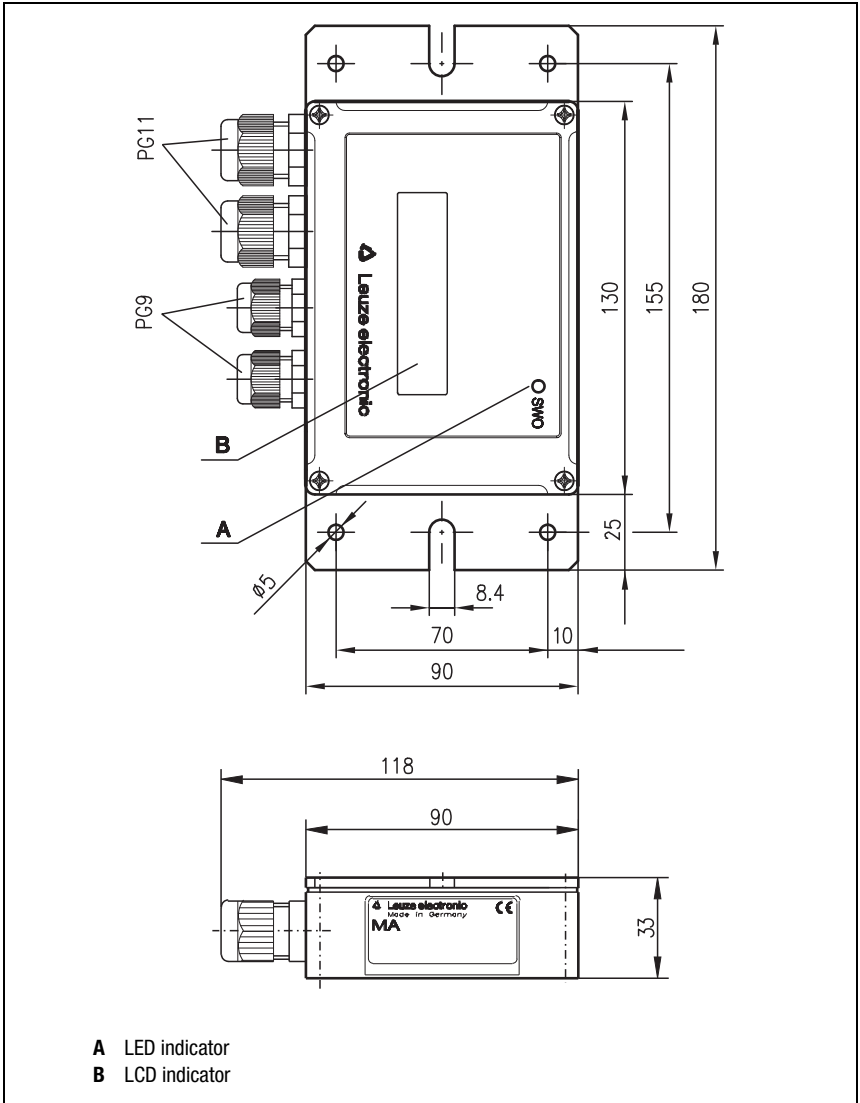


Figure 5.4: Dimensioned drawing connector unit MA 4/MA 4D

Connector unit MA 4 1xx/MA 4 D 1xx

Compared to the MA 4/MA 4 D, additional features of this connector unit are:

- Various pluggable interface modules, such as RS 232, RS 485, TTY, and RS 422.

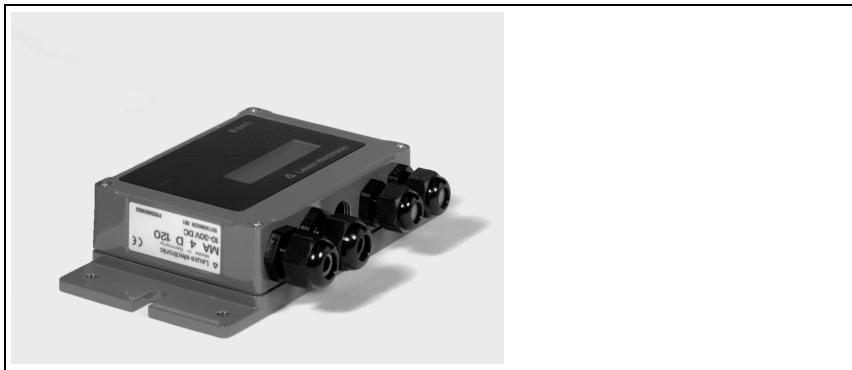


Figure 5.5: Connector unit MA 4 1xx/MA 4 D 1xx

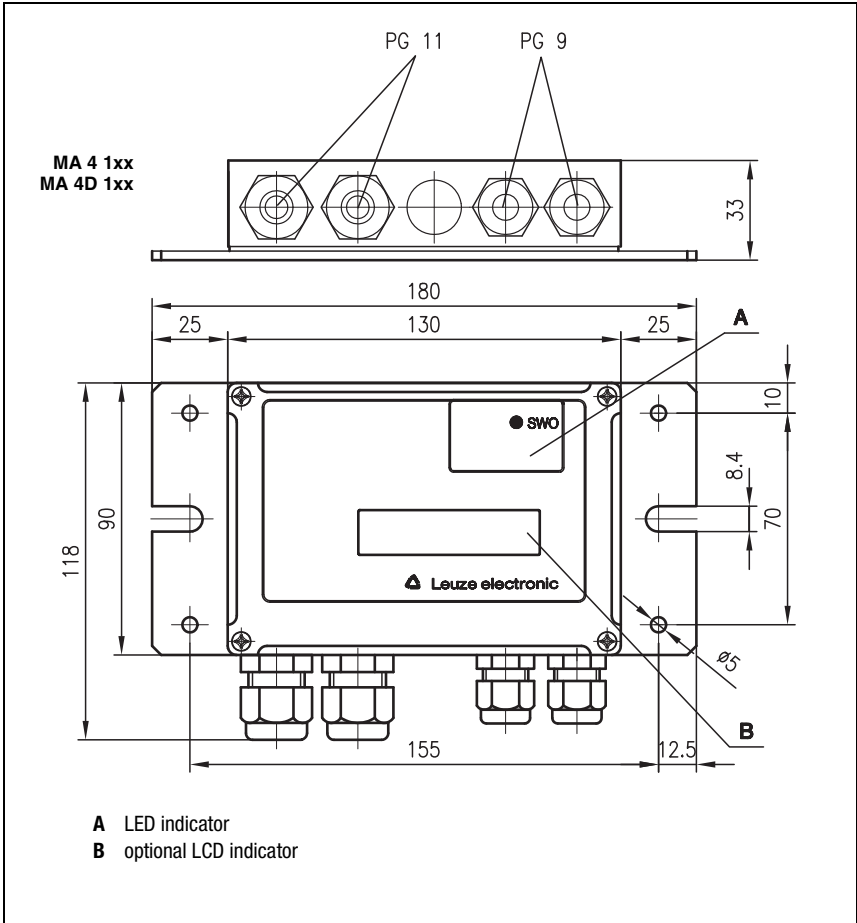


Figure 5.6: Dimensioned drawing MA 4 1xx/MA 4 D 1xx

Connector unit MA 2xxi

The gateways of the MA 2xxi series are available for easily connecting the BCL 22 with circuit-board system plugs to the various fieldbusses:

- Direct connection of the BCL 22 ...2xx
- M12 connection technology for supply and bus
- IP 67 protection class
- 9-pin sub-D plug for service interface
- Rotary switch for device selection

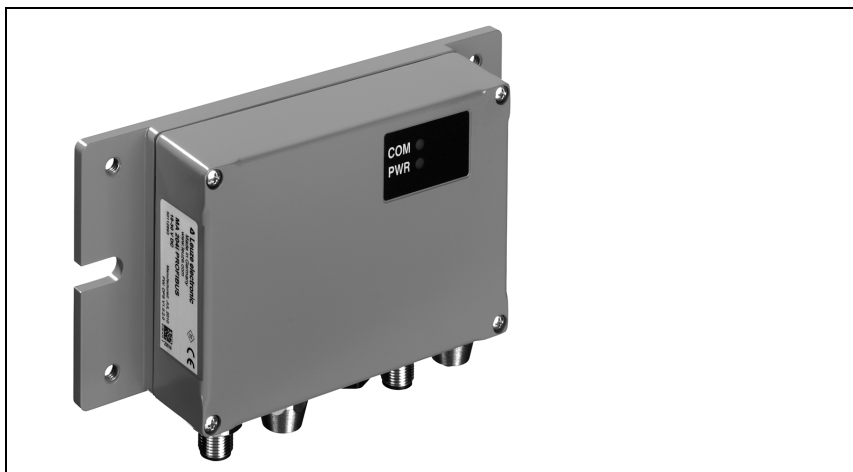


Figure 5.7: Connector unit/gateway MA 2xxi

Type overview

Type	Part no.	Bus system	Operating voltage	Description
MA 204i	50112893	PROFIBUS DP V0	18 ... 30VDC	Connector unit, gateway for BCL 22
MA 208i	50112892	Ethernet TCP/IP	18 ... 30VDC	Connector unit, gateway for BCL 22
MA 235i	50114154	CANopen	18 ... 30VDC	Connector unit, gateway for BCL 22
MA 238i	50114155	EtherCAT	18 ... 30VDC	Connector unit, gateway for BCL 22
MA 248i	50112891	PROFINET-IO RT	18 ... 30VDC	Connector unit, gateway for BCL 22
MA 255i	50114156	DeviceNet	18 ... 30VDC	Connector unit, gateway for BCL 22
MA 258i	50114157	Ethernet/IP	18 ... 30VDC	Connector unit, gateway for BCL 22

Table 5.4: Type overview connector units/gateways MA 2xxi

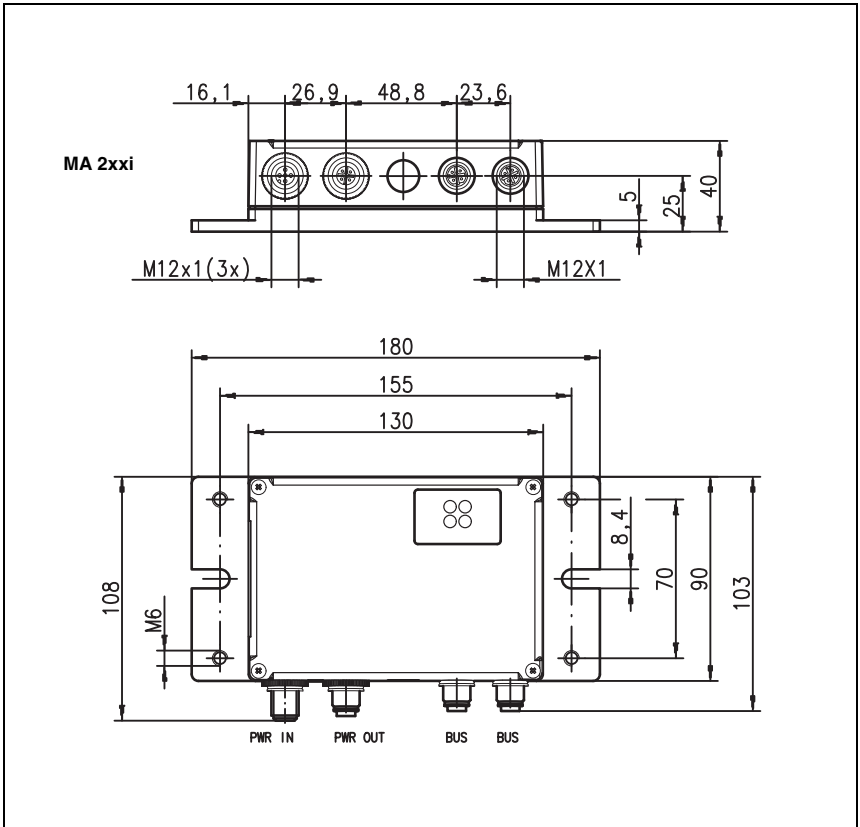


Figure 5.8: Dimensioned drawing MA 2xxi

6 Installation

6.1 Storage, Transportation



Attention!

When transporting, package the device so that it is protected against collision and humidity. Optimal protection is achieved when using the original packaging. Heed the required environmental conditions specified in the technical data.

Unpacking

- ✎ Check the packaging for any damage. If damage is found, notify the post office or shipping agent as well as the supplier.
- ✎ Check the delivery contents using your order and the delivery papers:
 - delivered quantity
 - device type and model as indicated on the nameplate
 - accessories
 - operating manual

The name plate provides information as to what BCL type your device is. For specific information, please refer to chapter 4.4.1.

Name plates, BCL-models

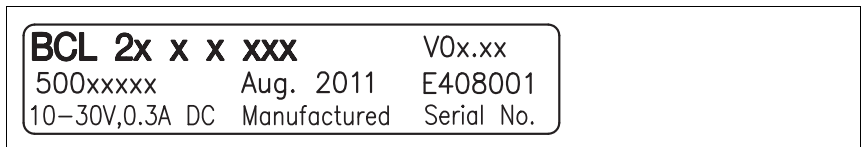


Figure 6.1: Device name plate BCL 21/22

- ✎ Save the original packaging for later storage or shipping.

If you have any questions concerning your shipment, please contact your supplier or your local Leuze electronic sales office.

- ✎ Observe the applicable local regulations when disposing of the packaging materials.

Cleaning

- ✎ Clean the glass window of the BCL 21/22 with a soft cloth before mounting. Remove all packaging remains, e.g. carton fibers or Styrofoam balls.



Attention!

Do not use aggressive cleaning agents such as thinner or acetone for cleaning the device.

6.2 Mounting



Attention Laser Radiation!

Follow the safety notices in chapter 2.3 on page 7!

Mounting devices are available which have to be ordered separately as accessory at Leuze electronic. For order numbers, see chapter 5.

The mounting device BT 20 is suitable both for rod mounting ($d = 12\text{mm}$) and for mounting using a sheet metal clamp if the sheet metal is $1.5 \dots 3\text{mm}$ thick. Otherwise, the mounting threads at the back and bottom side of the device are suitable for installation of the BCL 21/22 according to its area of application.

Mounting example BCL 21/22

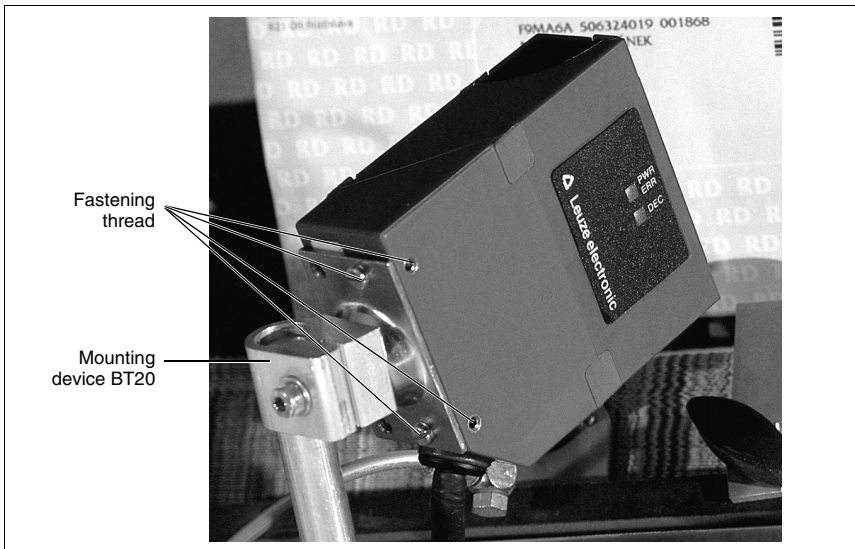


Figure 6.2: Mounting example BCL 21/22

Mounting MA 2/MA 4.../MA 2xxi

You can mount the connector units MA 2/MA 4.../MA 2xxi individually through the holes $\varnothing 5\text{mm}$ located on the mounting plate (see figure 5.2 and figure 5.4).

Then connect the BCL 21/22 with the connector unit MA 2/MA 4.../MA 2xxi as described in chapter 6.3.2.



Attention!

Only operate the device in a permanently mounted fitting position. Take appropriate measures to protect the device from physical shocks and mechanical damage.

6.2.1 Device Arrangement

Selecting a mounting location

In order to select the right mounting location, several factors must be considered:

- size, orientation, and position tolerance of the bar codes on the objects to be scanned
- the reading field of the BCL 21/22 in relation to the bar code module width
- the resulting minimum and maximum reading distance from the respective reading field

For specific information, please refer to chapter 4.4.



Notice!

The best reading results are obtained when

- the bar code is moved along the reading window at an angle of approx. 9 ... 15°.
- the reading distance lies in the middle area of the reading field.
- you do not use high-gloss labels.

Application examples

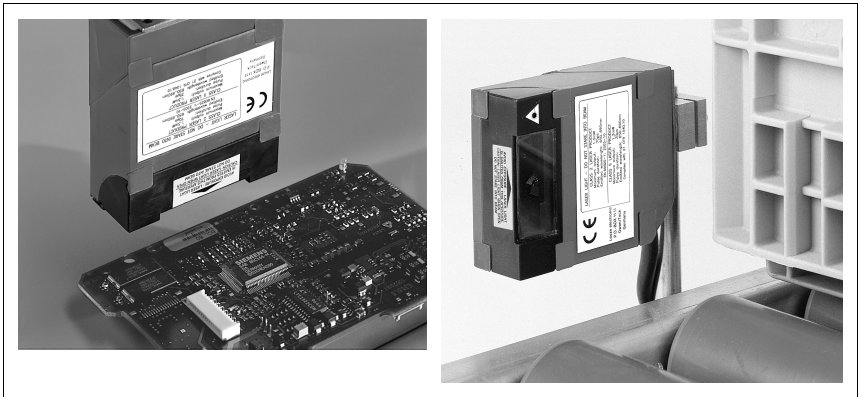


Figure 6.3: Applications with perpendicular and front side beam exit

Mounting location

⚠ *When selecting a mounting location, pay attention to*

- maintaining the required environmental conditions (temperature, humidity).
- possible soiling of the reading window due to liquids, abrasion by boxes, or packaging material residues.
- lowest possible chance of damage to the scanner by mechanical collision, vibrations or jammed parts.

6.3 Connection



Attention!

Do not open the device yourself under any circumstances! There is otherwise a risk of uncontrolled emission of laser radiation from the device. The housing of the BCL 21/22 contains no parts that need to be adjusted or maintained by the user.

Before connecting the device, be sure that the supply voltage agrees with the value printed on the nameplate.

Connection of the device and maintenance work while under voltage must only be carried out by a qualified electrician.

The power supply unit for the generation of the supply voltage for the BCL 21/22 and the MA 2/MA 4.../MA 2xxi must have a secure electrical insulation through double insulation and safety transformers according to EN 60742/IEC 60742 (functional low voltage).

Be sure that the earthing conductor is connected correctly. Error-free operation is only guaranteed when the device is properly earthed.

If faults cannot be corrected, the device should be removed from operation and protected against possible use.

6.3.1 Connection BCL 21/22 stand alone

BCL 21/22 Sub-D-pin assignments

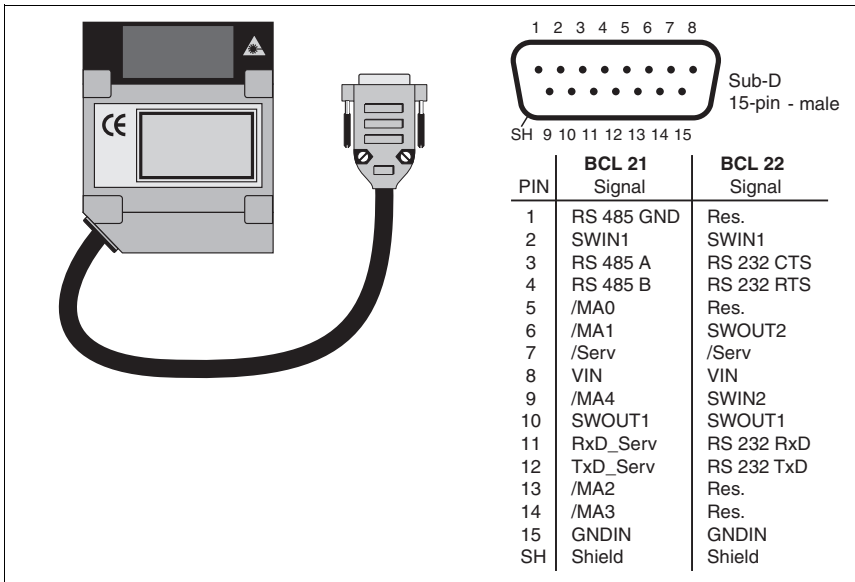


Figure 6.4: BCL 21/22 Sub-D pin assignments

Wiring description BCL 21

Pin 1	GND 485	
Pin 2	SWIN1	Switching input 1, 12 ... 30VDC, (see figure 6.7)
Pin 3	RS485_A	Signal line A, host interface RS 485
Pin 4	RS485_B	Signal line B, host interface RS 485
Pin 5	/MA0	Address selection bit0
Pin 6	/MA1	Address selection bit1
Pin 7	/Serv	Bridge to pin 15: service operation via RS 232 interface
Pin 8	VIN	Supply voltage +10 ... 30VDC
Pin 9	/MA4	Address selection bit4
Pin 10	SWOUT1	Switching output 1
Pin 11	RXD_Serv	RXD signal, service interface RS 232
Pin 12	TXD_Serv	TXD signal, service interface RS 232
Pin 13	/MA2	Address selection bit2
Pin 14	/MA3	Address selection bit3
Pin 15	GNDIN	Supply voltage 0VDC
Metal flange	FE	Functional earth (the shielding of the sub-D-cable is connected with the flange of the connector casing)

Table 6.1: Wiring description BCL 21

Wiring description BCL 22

Pin 1	Res.	Reserved
Pin 2	SWIN1	Switching input 1, 12 ... 30VDC, (see figure 6.7)
Pin 3	CTS	CTS signal, host interface RS 232
Pin 4	RTS	RTS signal, host interface RS232
Pin 5	Res.	Reserved
Pin 6	SWOUT2	Switching output 2
Pin 7	/Serv	Bridge with pin 15: service operation
Pin 8	VIN	Supply voltage +10 ... 30VDC
Pin 9	SWIN2	Switching input 2, 12 ... 30VDC
Pin 10	SWOUT1	Switching output 1
Pin 11	RXD	RXD signal, service interface RS 232
Pin 12	TXD	TXD signal, service interface RS 232
Pin 13	Res.	Reserved
Pin 14	Res.	Reserved
Pin 15	GNDIN	Supply voltage 0VDC
Metal flange	FE	Functional earth (the shielding of the sub-D-cable is connected with the flange of the connector casing)

Table 6.2: Wiring description BCL 22

Switching inputs

A read process can be triggered by applying a voltage of 12 ... 30VDC to the switched input connections SWIN1 and SWIN2.

6.3.2 Connection BCL 21 with MA 2/MA 4... (RS 485)

Connection of the BCL is considerably easier when using the MA 2/MA 4... The BCL 21 is alternately equipped with flat connectors which enable connection to the MA 2/MA 4... connector unit.

BCL 21/22 JST system pin assignments





	10-pol. (ZHR10)		6-pol. (ZHR6)	
				
	PIN ZHR10	Color	BCL 21 Signal	BCL 22 Signal
	1	br/BN	RS 485 GND	Res.
	2	rt/RD	RS 485 A	RS 232 CTS
	3	or/OG	RS 485 B	RS 232 RTS
	4	ge/YE	RxD_Serv	RS 232 RxD
	5	gn/GN	TxD_Serv	RS 232 TxD
	6	bl/BU	/Serv	/Serv
	7	vi/VI	SWIN1	SWIN1
	8	gr/GY	VIN	VIN
9	ws/WH	GNDIN	GNDIN	
10	SH	FE	FE	
ZHR6				
1	ws-br/WH-BN	/MNA0	Res.	
2	ws-rt/WH-RD	/MNA1	SWOUT2	
3	ws-or/WH-OG	/MNA2	Res.	
4	ws-ge/WH-YE	/MNA3	Res.	
5	ws-gn/WH-GN	/MNA4	SWIN2	
6	ws-sw/WH-BK	SWOUT1	SWOUT1	

Figure 6.5: BCL 21/22 JST system pin assignments

Open MA 2/MA 4... casing

 Unscrew the four screws on the front side of the MA 2/MA 4... and carefully lift off the lid of the housing. Now you have proper access to all components within the connector unit.



Notice!

All electrical connections can be carried out on the terminal strip quickly and without screwing down or soldering. Wires with ferruled ends can be inserted directly into the terminal without depressing the clamping lever.



Attention!

The electrical connection of the BCL and corresponding MA... must only be made while in a de-energized state.

Position of the connectors in the MA 2

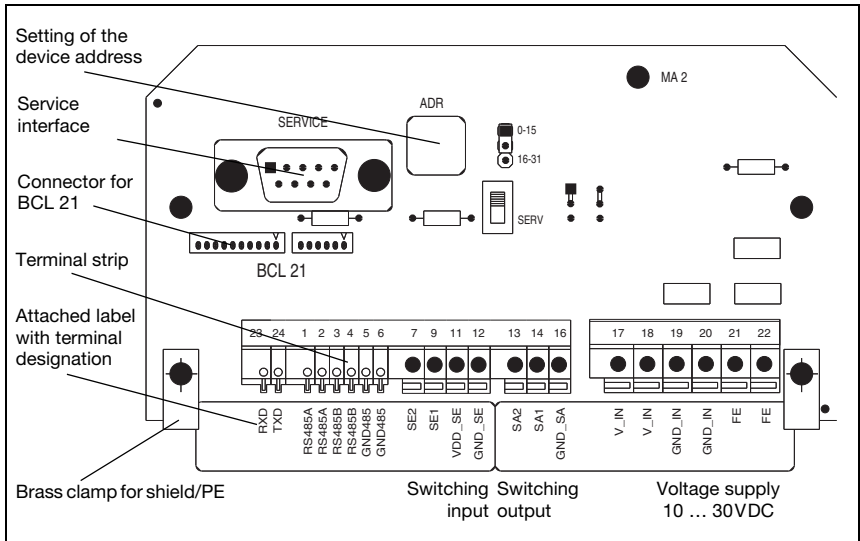


Figure 6.6: Connector unit MA 2

Wiring description

Terminals 1 to 6 as well as 23 and 24 in the MA 2 are assigned as described below. For wiring through, the RS 485 interface at the MA 2 is implemented twice:

Terminal	Signal
1	RS 485 A
2	RS 485 A
3	RS 485 B
4	RS 485 B
5	GND 485
6	GND 485
23	RXD (service)
24	TXD (service)

Table 6.3: Terminal assignment MA 2

Voltage supply

In the connector unit MA 2, the connections for the voltage supply are implemented twice. This permits wiring through or the voltage supply of additional components.

Terminal	Signal	Function
17	V_IN	Operating voltage 10 ... 30VDC
18	V_IN	Operating voltage 10 ... 30VDC
19	GND_IN	Operating voltage 0VDC
20	GND_IN	Operating voltage 0VDC
21	FE	Functional earth
22	FE	Functional earth

Table 6.4: Terminal assignment voltage supply



Notice!

It is imperative that the functional earth FE also is wired through to avoid electromagnetic interference.

Switching inputs 1 and 2

The MA 2 connector unit is equipped with two switching inputs SE 1 and SE 2 (SE 2 can only be activated with BCL 22).

- Input voltage: 12 ... 30VDC

Terminal	Signal	Function
7	SE2	Switching input 2, 12 ... 30VDC
9	SE1	Switching input 1, 12 ... 30VDC
11	VDD_SE	Supply voltage, switching input, equal to V_IN device
12	GND_SE	Supply voltage, switching input, equal to GND_IN device

Table 6.5: Terminal assignment switching inputs

Switching outputs 1 and 2

The MA 2 is equipped with 2 switching outputs SA1 and SA2 (SA 2 can only be activated with BCL 22) which can be programmed for various switching functions using the "BCLConfig" software.

- Output voltage corresponds to operating voltage
- Output current: $I_{\max} = 100\text{mA}$

The switching voltage for the output is generated by the operating voltage V_IN:

- VDD_SA = VDD_IN
- GND_SA = GND_IN

Terminal	Signal	Function
13	SA2	Switching output 2
14	SA1	Switching output 1
16	GND_SA	External supply voltage for switching output 0VDC

Table 6.6: Terminal assignment switching outputs

MA 2 wiring

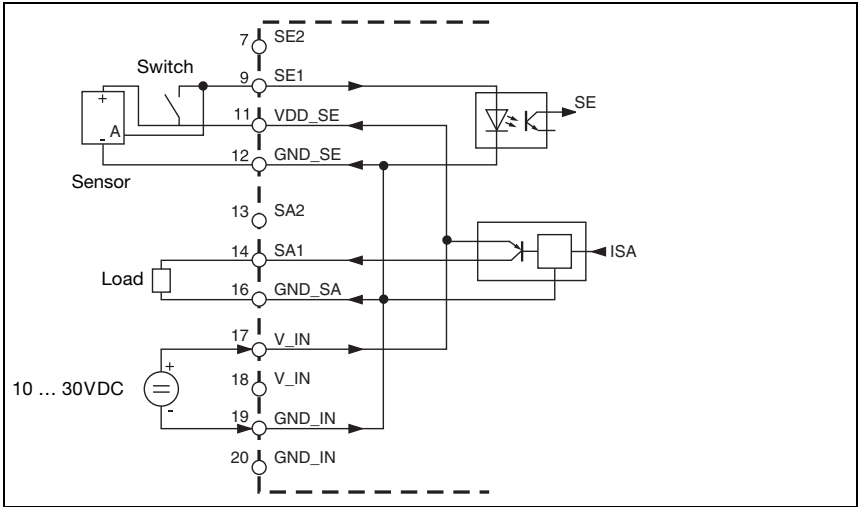


Figure 6.7: Circuitry MA 2

Position of the connectors in the MA 4/MA 4D

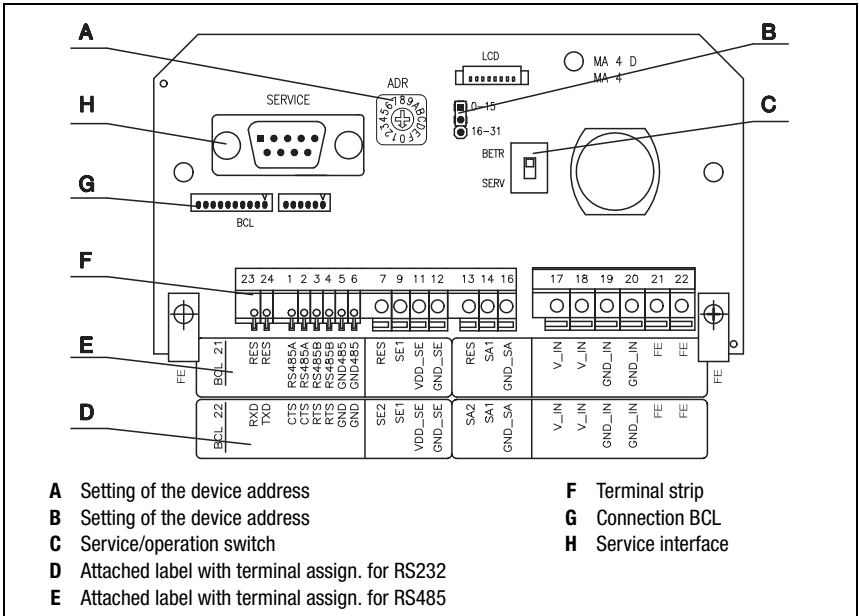


Figure 6.8: Connector unit MA 4/MA 4D

Wiring description

Terminals 1 to 6 as well as 23 and 24 in the MA 4/MA 4D are assigned as described below. For wiring through, the RS 485 interface at the MA 4/MA 4D is implemented twice:

Terminal	Signal
1	RS 485 A
2	RS 485 A
3	RS 485 B
4	RS 485 B
5	GND 485
6	GND 485
23	RXD (service)
24	TXD (service)

Table 6.7: Terminal assignment MA 4/MA 4D

Voltage supply

In the connector unit MA 4/MA 4D, the connections for the voltage supply are implemented twice. This permits wiring through or the voltage supply of additional components.

Terminal	Signal	Function
17	V_IN	Operating voltage 10 ... 30VDC
18	V_IN	Operating voltage 10 ... 30VDC
19	GND_IN	Operating voltage 0VDC
20	GND_IN	Operating voltage 0VDC
21	FE	Functional earth
22	FE	Functional earth

Table 6.8: Terminal assignment voltage supply



Notice!

It is imperative that the functional earth FE also is wired through to avoid electromagnetic interference.

Switching inputs 1 and 2

The connector unit MA 4/MA 4D has two switching inputs SE 1 and SE 2.

- Input voltage: 12 ... 30VDC

Terminal	Signal	Function
7	SE2	Switching input 2, 12 ... 30VDC (with BCL 22 only)
9	SE1	Switching input 1, 12 ... 30VDC
11	VDD_SE	Supply voltage, switching input, equal to V_IN device
12	GND_SE	GND, switching input, equal to GND_IN device

Table 6.9: Terminal assignment switching inputs

Switching outputs 1 and 2

The MA 4/MA 4D is equipped with two switching outputs (SA1 and SA2) which can be programmed for various switching functions using the "BCLConfig" software.

- Output voltage corresponds to operating voltage
- Output current: $I_{max} = 100\text{mA}$

The switching voltage for the output is generated by the operating voltage V_IN:

- VDD_SA = VDD_IN
- GND_SA = GND_IN

Terminal	Signal	Function
13	SA2	Switching output 2 (with BCL 22 only)
14	SA1	Switching output 1
16	GND_SA	External supply voltage for switching output 0VDC

Table 6.10: Terminal assignment switching outputs

Circuitry MA 4/MA 4D

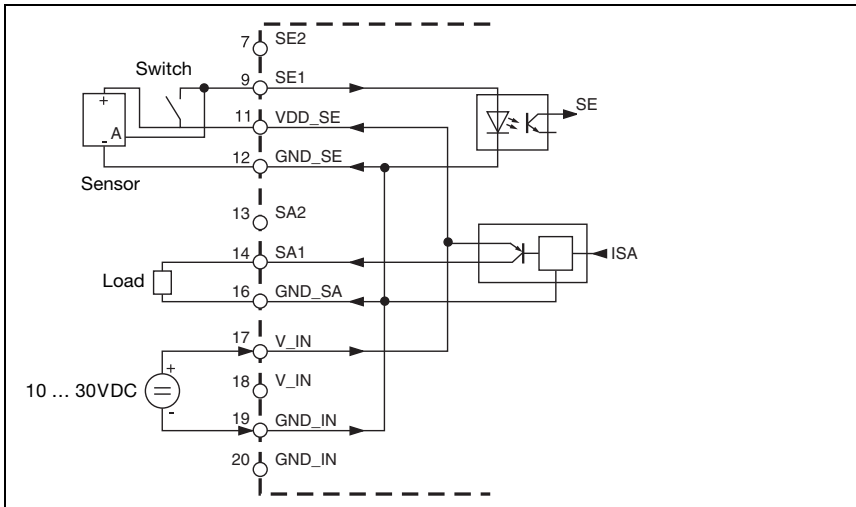


Figure 6.9: Circuitry MA 4/MA 4D

Position of the connectors in the MA 4 1xx/MA 4 D 1xx

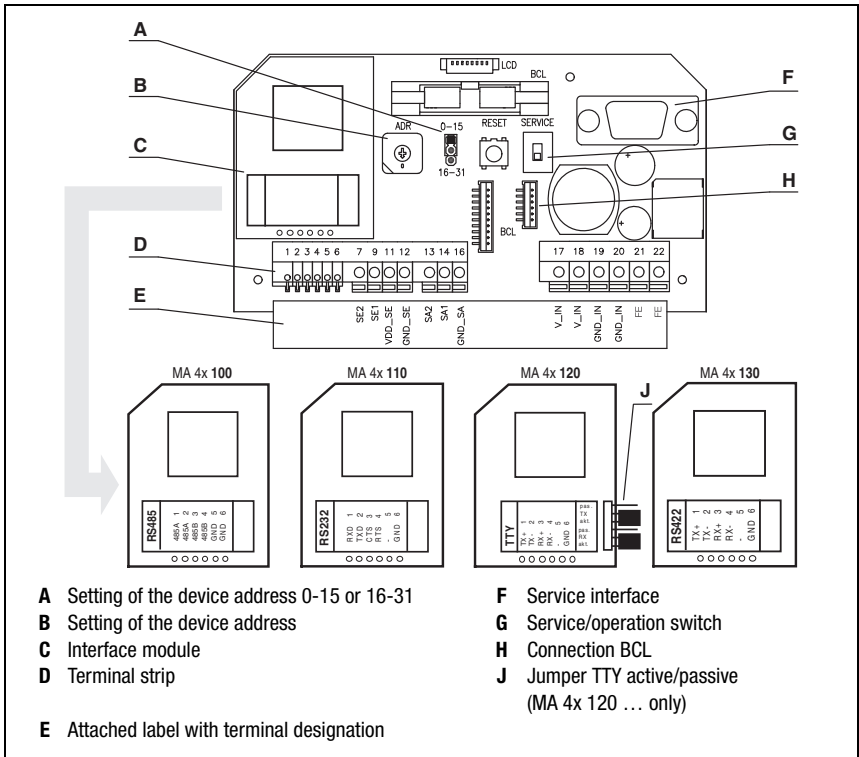


Figure 6.10: Connector unit MA 4 1xx/MA 4 D 1xx

Wiring description

Terminals 1 to 6 in the MA 4 1xx/MA 4 D 1xx are assigned as described below. For wiring through, the RS 485 interface at the MA 4 100/MA 4 D 100 is implemented twice:

Terminal	Signal			
	MA 4(D) 100	MA 4(D) 110	MA 4(D) 120	MA 4(D) 130
1	RS 485 A	RXD	TX+	TX+
2	RS 485 A	TXD	TX-	TX-
3	RS 485 B	CTS	RX+	RX+
4	RS 485 B	RTS	RX-	RX-
5	GND 485	—	—	—
6	GND 485	GND	GND	GND

Table 6.11: Terminal assignment MA 4 1xx/MA 4 D 1xx

**Notice!**

The operating mode active/passive is selected via the two jumpers on the TTY interface module (MA 4 120/MA 4 D 120).

Voltage supply

In the connector unit MA 4 1xx/MA 4 D 1xx, the connections for the voltage supply are implemented twice. This permits wiring through or the voltage supply of additional components.

Terminal	Signal	Function
17	V_IN	Operating voltage 10 ... 30VDC
18	V_IN	Operating voltage 10 ... 30VDC
19	GND_IN	Operating voltage 0VDC
20	GND_IN	Operating voltage 0VDC
21	FE	Functional earth
22	FE	Functional earth

Table 6.12: Terminal assignment voltage supply

**Notice!**

It is imperative that the functional earth FE also is wired through to avoid electromagnetic interference.

Switching inputs 1 and 2

The connector unit MA 4 1xx/MA 4 D 1xx has two switching inputs SE 1 and SE 2.

- Input voltage: 12 ... 30VDC

Terminal	Signal	Function
7	SE2	Switching input 2, 12 ... 30VDC
9	SE1	Switching input 1, 12 ... 30VDC
11	VDD_SE	Supply voltage, switching input, equal to V_IN device
12	GND_SE	GND, switching input, equal to GND_IN device

Table 6.13: Terminal assignment switching inputs

Switching outputs 1 and 2

The MA 4 1xx/MA 4 D 1xx is equipped with two switching outputs (SA1 and SA2) which can be programmed for various switching functions using the "BCLConfig" software.

- Output voltage corresponds to operating voltage
- Output current: $I_{max} = 100\text{ mA}$

The switching voltage for the output is generated by the operating voltage V+:

- $VDD_SA = V_IN$
- $GND_SA = GND_IN$

Terminal	Signal	Function
13	SA2	Switching output 2
14	SA1	Switching output 1
16	GND_SA	External supply voltage for switching output 0VDC

Table 6.14: Terminal assignment switching outputs

Circuitry MA 4 1xx/MA 4 D 1xx

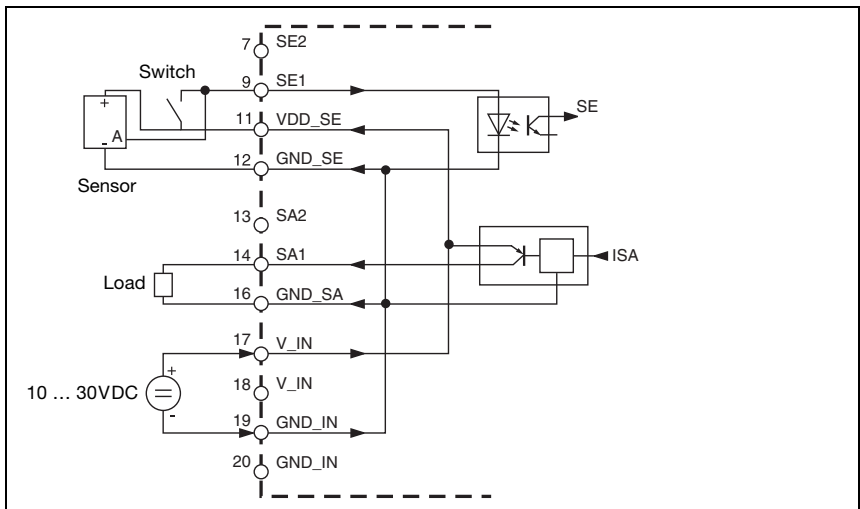


Figure 6.11: Circuitry MA 4 1xx/MA 4 D 1xx

6.3.3 Connection of the BCL 22 with connector unit/gateway MA 2xxi

The MA 2xxi connector units/gateways are equipped with an internal RS 232 device interface which is accessible after the device is opened.

The device interface is prepared for the circuit-board system plugs (JST ZHR10 and ZHR6) of types BCL 22 SB 2xx, see connections X31 and X32 in figure 6.12.

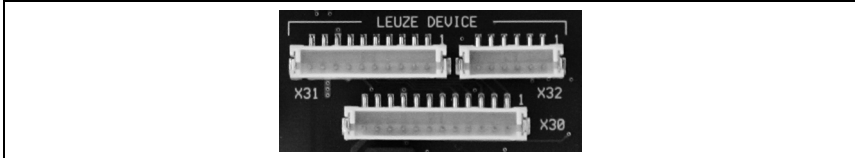



Figure 6.12: RS 232 device interface

Opening MA 2xxi housing

 Unscrew the four screws on the front side of the MA 2xxi and carefully lift off the lid of the housing. Now you have proper access to all components within the connector unit.

BCL 21/22 JST system pin assignments



10-pol. (ZHR10)		6-pol. (ZHR6)	
			
PIN ZHR10	Color	BCL 21 Signal	BCL 22 Signal
1	br/BN	RS 485 GND	Res.
2	rt/RD	RS 485 A	RS 232 CTS
3	or/OG	RS 485 B	RS 232 RTS
4	ge/YE	RxD_Serv	RS 232 RxD
5	gn/GN	TxD_Serv	RS 232 TxD
6	bl/BU	/Serv	/Serv
7	vi/VI	SWIN1	SWIN1
8	gr/GY	VIN	VIN
9	ws/WH	GNDIN	GNDIN
10	SH	FE	FE
ZHR6			
1	ws-br/WH-BN	/MNA0	Res.
2	ws-rt/WH-RD	/MNA1	SWOUT2
3	ws-or/WH-OG	/MNA2	Res.
4	ws-ge/WH-YE	/MNA3	Res.
5	ws-gn/WH-GN	/MNA4	SWIN2
6	ws-sw/WH-BK	SWOUT1	SWOUT1

Figure 6.13: BCL 21/22 JST system pin assignments



Attention!

The electrical connection of the BCL and corresponding MA... must only occur while in a de-energized state.



Notice!

Further information on connecting the MA 2xxi can be found in the respective technical description (download from www.leuze.com).

6.3.4 Wire lengths and shielding

The following maximum lengths for wires and the type of shielding to be used must be observed:

Connection	Interface	Max. wire length	Shielding
BCL 21/22 - Maintenance	RS 232	10m	Absolutely required, shield meshing
BCL 21/MA 2 - Host	RS 485	1200m	Absolutely required, flexible leads as twisted pairs
Switching inputs 1+2	–	10m	Not necessary
Switching outputs 1+2	–	10m	Not necessary

Table 6.15: Wire Lengths and Shielding

6.4 Disassembling, Packing, Disposing

Repacking

For later re-use, the device is to be packed so that it is protected against shocks and dampness. Optimal protection is achieved when using the original packaging.



Notice!

Electrical scrap is a special waste product! Observe the locally applicable regulations regarding disposal of the product.

7 Commissioning



Attention Laser Radiation!

Follow the safety notices in chapter 2.3 on page 7!

7.1 Measures to be performed prior to the initial commissioning

- ↳ Before commissioning, familiarize yourself with the operation and configuration of the device(s)!
- ↳ Before switching on, recheck all connections and ensure that they have been properly made.

Configuration elements using the example of the MA 2



Figure 7.1: Configuration elements in the MA 2

Setting the device address

The device address is set in the MA 2/MA 4... using a rotary code switch. The setting is carried out as follows:

↳ Set the device address to

- 0, if the combined BCL 21 / MA 2/MA 4... unit will not be operated in a network,
- 1...30, if several BCL 21 / MA 2/MA 4... units will be operated in a network. Each multiNet plus network device must have a different device address assigned to it. If the MA 2/MA 4... is connected to the multiNet Master, the device combination BCL 21 with MA 2/MA 4... automatically turns into a multiNet plus slave device.



Notice!

Address 31 is used for resetting the parameters.

**Notice!**

From the hardware address, the BCL 21 detects that networking is required. With the BCL 21/22, it is possible to perform a reset using the software and the online commands. In addition, it is possible to perform a reset by switching off the supply voltage. The parameters are not lost as a result of the reset. For information on the reset commands, see chapter 9. The LED remains dark during a reset; the green LED illuminates when the device is ready for operation.

7.2 Function Test

"Power On" test

After connecting the operating voltage, the devices carry out an automatic "Power On" function test. The LED on the front side of the MA 2/MA 4.../MA 2xxi lights up. In the case of factory settings, the green LED flashes. In the additional service mode, the orange LED lights up.

Interface

Proper function of the interface can be tested easiest in service operation using the service interface with the "BCLConfig" programming software and a notebook computer. For order numbers, see chapter 5.

"Online commands"

Using the "Online" commands, important device functions can be checked, e.g. proper functioning of the laser.

Problems

Should problems occur during device commissioning, refer first to chapter 8.2. Should a problem persist after checking all electrical connections and settings on the devices and host, please contact a Leuze service office near you (see the back page of this operating manual).

7.3 Setting the Parameters

In the device combination BCL 21/22 with MA 2/MA 4..., two different parameter sets are managed:

- factory default parameter set
- current parameter set

Before a parameter set is loaded into the BCL 21/22 processor memory, the validity of the parameter set is checked using checksums.

Factory default parameter set

This parameter set contains the default settings made ex works for all BCL 21/22 parameters. It is permanently stored in the ROM of the BCL 21/22. The parameter set with the default settings is loaded into the memory of the BCL 21/22,

- the first time the device is commissioned after delivery
- following the command "Factory Default" in the parameterization program
- if the checksums of the current parameter set are invalid.

Current parameter set

In this parameter set, the current settings for all device parameters are stored. When the BCL 21/22 is in operation, the parameter set is stored in the EEPROM of the BCL 21/22. The current set can be stored:

- by copying a valid parameter set from the host computer
- by means of an off-line setup with the PC setup program BCLConfig

The current parameter set is loaded into the memory of the BCL 21/22,

- each time the supply voltage is connected
- following a software reset

7.3.1 Service operating mode

Setting the required parameters is carried out easiest in the 'Service' operating mode.

Service interface

By switching the operating mode switch in the MA 2/MA 4.../MA 2xxi from operation (switch in upper pos.) to service (switch in lower pos.), the connection to the host computer is interrupted and the RS 232 interface is activated. At the BCL 22, the interface is activated via a bridge between the pins 7 and 15 on the 15-pin sub-D connector.

The connector unit MA 2/MA 4.../MA 2xxi offers a service interface for commissioning the reading stations in a network. This interface can be accessed by removing the housing cover. It has a 9-pin Sub-D connector (see figure 7.1).

Connection

A PC or terminal can be connected to the MA 2/MA 4.../MA 2xxi via the RS 232/V.serial interface and used to set the parameters of the BCL 21/22. The connection is made using a crossed RS 232 connection cable that establishes the RxD, TxD and GND connections. A hardware handshake via RTS, CTS is not supported at the service interface.

Service Operating Mode

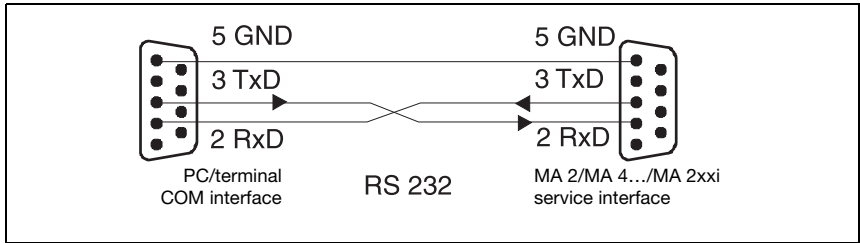


Figure 7.2: Connecting the MA ... service interface to a PC or terminal



Notice!

The service interface contains a predefined transmission protocol with the following parameters:

- transfer rate 9600 baud
- no parity
- 8 data bits
- 1 stop bit
- prefix: STX
- postfix: CR, LF

8 Operation



Attention Laser Radiation!

Follow the safety notices in chapter 2.3 on page 7!

8.1 Display Elements

A LED labeled "SWO" is located on top of the MA 2/MA 4.... It indicates the state of the switching output 1. On the BCL 21/22, you can find LEDs that indicate different states. For detailed information regarding the state displays of the LEDs please refer to chapter 4.2.

8.2 Error Handling

Errors are indicated on the BCL 21/22 via the ERR LED. Additional error, warning and status messages are transmitted via the Host interface.

Types of errors

Errors are divided up into the following types:

- Warnings
- Serious errors

Warnings

Warnings indicate temporary operating faults which do not affect the proper functioning of the device.

Serious errors

Serious errors impair the proper functioning of the device. The device must be reinitialized.

Troubleshooting

Isolated warnings can be ignored, since the BCL 21/22 will continue to function properly.

Following a serious error, you should re-initialize the BCL 21/22. It will then usually again function properly. If a hardware problem is present, the BCL 21/22 will not reinitialize.

Warnings and errors which occur frequently can be corrected easiest using the BCLConfig software.

If you cannot correct faults and errors with the software, please contact a Leuze electronic sales office or service facility. For addresses, please refer to the back page of this operating manual.

9 Communicating with the Device

Device parameters can be set using the automatic configuration "autoConfig", via commands at the serial interface or using the easy-to-use "BCLConfig" control software.

9.1 Installing the "BCLConfig"-software

✎ Place the installation CD in your CD/DVD drive or load the download the program to your PC from the download area of www.leuze.com.

✎ Call up the installation file (e.g. Setup.exe)

The following window appears:

Installation window

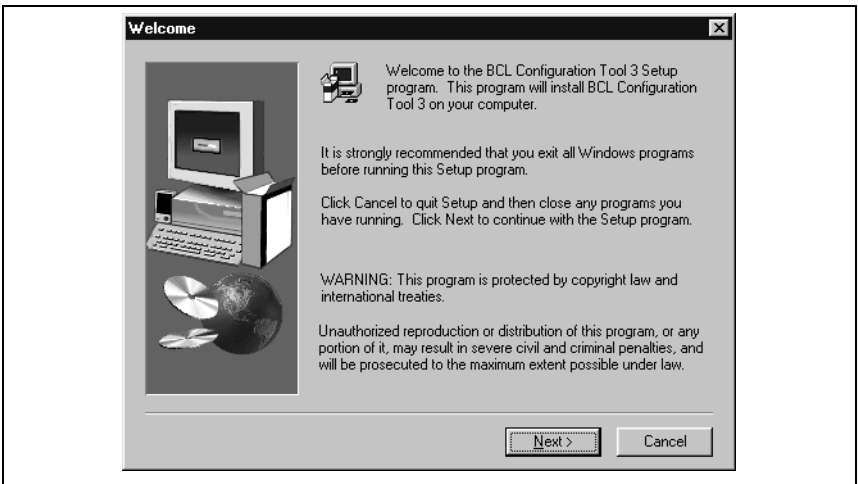


Figure 9.1: Installation window

✎ Confirm the following license agreement and select the installation path in the following window:

Installation directory

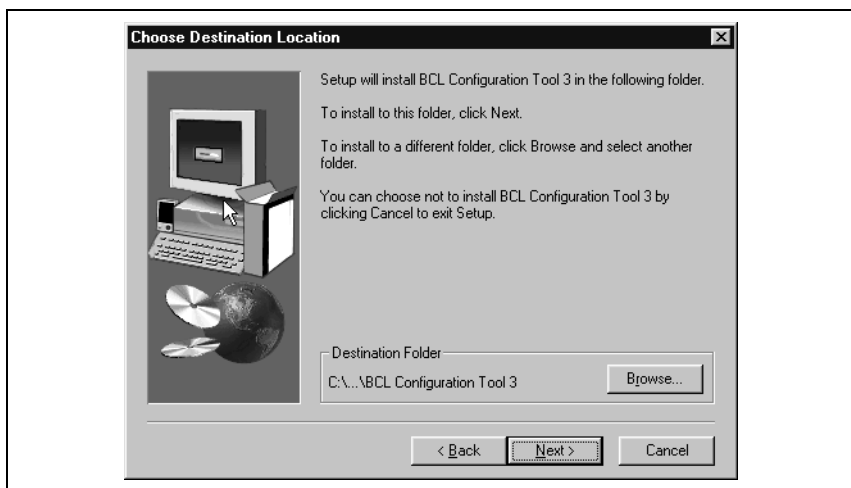


Figure 9.2: Installation directory

- ☞ Confirm your entry with **Next**, then follow the installation routine.
- ☞ After the successful installation, double-click on the file "BCLconfig.exe" to activate the configuration program.

10 Important Parameters

10.1 Code menu

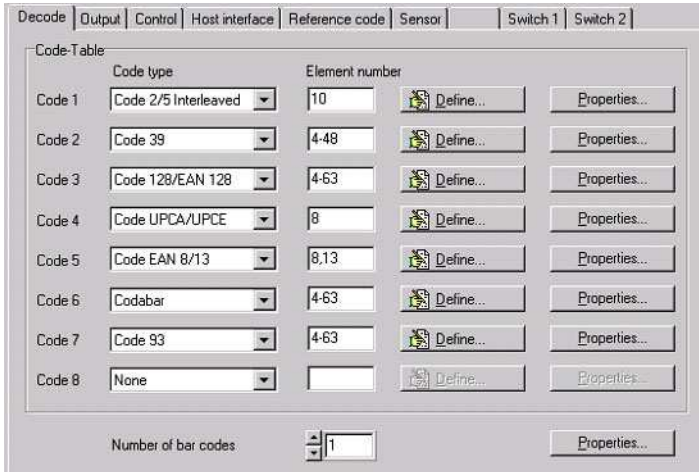


Figure 10.1: Standard setting of the Code menu

Code table Here, the codes which are to be decoded are set. We recommend enabling only the code types which are to actually be read with the corresponding element numbers. Important: Code 1 must always be selected. If multiple code types are to be used, set in sequential order: Code 1, Code 2, ...

Number Of Digits In the field Element number, up to 3 element entries may be entered. An area is represented by a dashed line: e.g. 4-40 digits. With 2 or 3 different element entries by a comma: e.g. 8,13 digits. The combination is also possible, but the range must be specified first: e.g.: 4-10,20 digits



Notice!

If the code EAN128 is to be read, 3 additional characters are to be set for the code identifier.

Properties Behind the "Properties" button, to the right of the respective code, the code-specific settings, such as the check digit, can be selected.

Number of bar codes Here, the number of the bar codes to be decoded within a read cycle (one reading gate) is set.

10.1.1 Properties of the Code menu

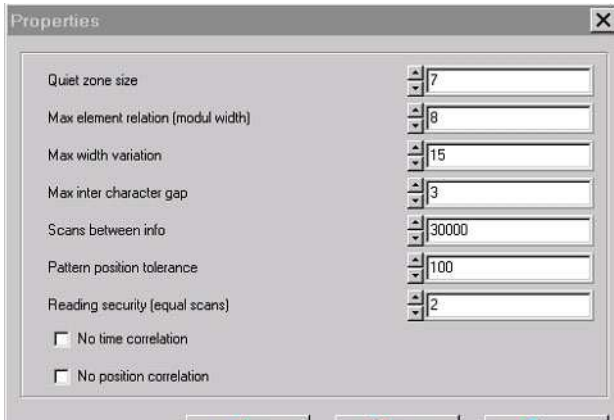


Figure 10.2: Standard setting of the properties of the Code menu

Quiet zone size

Quiet zone: the area to the left and right of the bar code

Module: width of the narrowest line in the bar code or narrowest gap in the bar code
According to the code specifications, each bar code must have a quiet zone which is 10 times as wide as the module of the bar code.

Ex: for a code having a module of 0.5 mm, 5 mm blank space must be present at both the left and right of the code.

By default, the scanner checks a quiet zone which is 7 times greater than the module. This means that 7 times or greater is o.k.

Reading security (equal scans)

Specifies how often a code must be decoded before the result is valid and output. Increasing this value increases the reading reliability, though does so at the expense of the decoding time (more scans with the same content are necessary).

No time correlation

If this parameter is set, a gap between two identical labels is ignored and they are treated as a single label.

No position correlation

If this parameter is set, then the position of a bar code label in the reading beam is not taken into account. Identical labels are treated as a single label



Notice!

In general, the remaining parameters must not be changed. In the worst case, this could corrupt the reading result!

10.3 Control

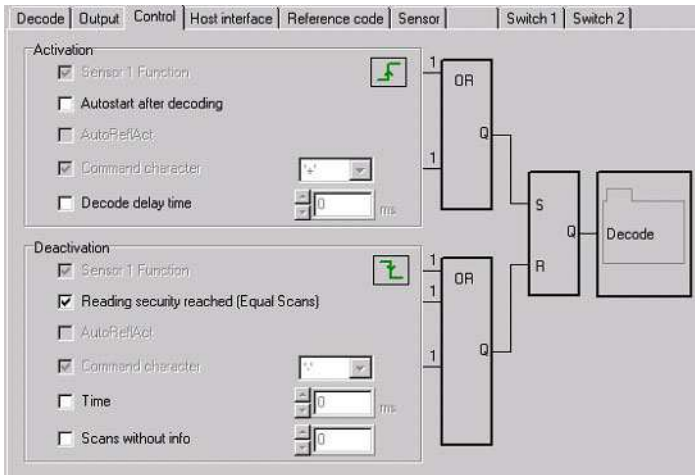


Figure 10.4: Control menu default settings

Activation

Switching input 1 function See menu "switching input"

Autostart after decoding In this mode, the scanner reads via an internal trigger signal with maximum performance. Attention: Up to 100 codes per second may be transmitted.

Command character The standard online character for the trigger start is the '+' character. This character can be changed only via the tree structure.

Decode delay time This point is usually used only for test purposes. After the time set here has passed, the scanner automatically reactivates itself following a reading gate end.

The RK512/3964 protocol can also be selected here. The individual parameters for this protocol can be found in the tree-structure configuration: Communication -> Customer Interface -> 3964 / RK 512 Protocol



Attention!

If the BCL 21 is operated in a network ("Leuze multiNet"), no changes may be made here. The scanner automatically sets itself to the multiNet protocol!

10.4.1 Communication properties

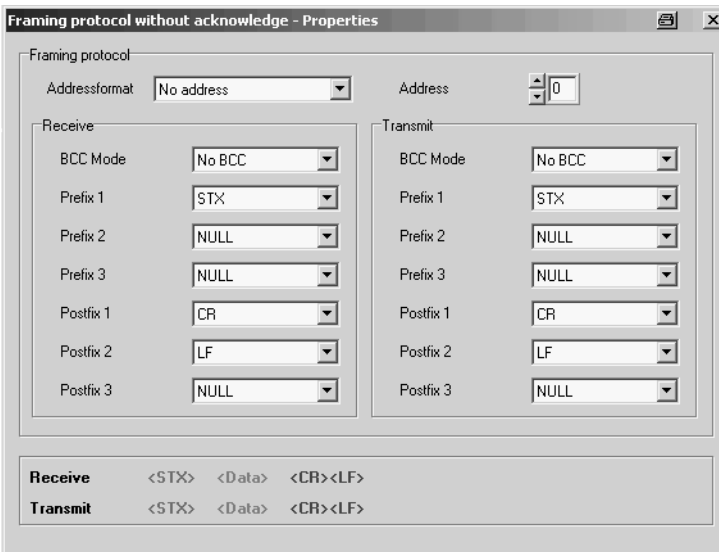


Figure 10.6: Standard setting of the property menu

Here, the frame format (prefix/postfix), the address mode as well as a BCC mode can be set.



Attention!

If the BCL 21 is operated in a network ("Leuze multiNet"), no changes may be made here.

10.5 Reference Code

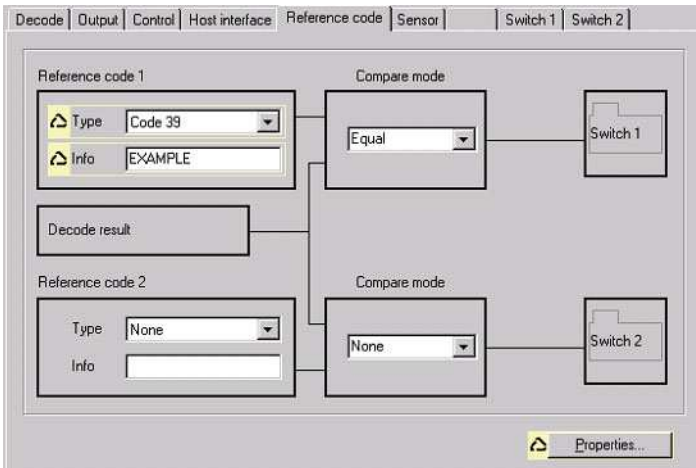


Figure 10.7: Reference Code menu

A reference code is bar code information which is stored in the memory of the scanner. This reference code can be compared with the current decoded bar code in various modes and, thus, the switching output be set appropriately. To do this, the switching output must still be set to "By comparison of reference code X" in the "Switch" menu.

One way to store the reference code is to enter it manually in this menu. You can find further options of the reference code teach-in in the chapter on online commands.

- Type** Select the code type.
- Info** Contents of the reference code
- Compare mode** Select here how the internally stored reference code is to be compared with the decoded result.
 -> For additional comparison possibilities, please select the "Properties" menu

10.6 Switching Input

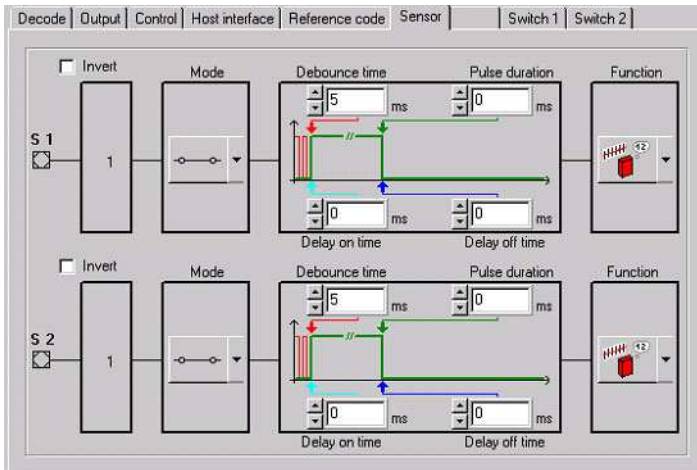


Figure 10.8: Standard setting of the switching input menu

- Invert** Here, the input level can be inverted.
- Enable** Switching input enabled or disabled.
- Debounce time** This time period must lapse until the trigger signal is regarded as valid.
- Delay on time** The trigger signal is passed on delayed by the specified time period.
- Pulse duration** If the value is higher than "0": duration of the activation, regardless of how long the trigger signal has been present.
- Delay off time** After the end of the trigger signal, the pulse is extended internally by this time period.



Notice!

If the switch-off delay is activated, the parameter "pulse duration" should be "0".

- Function** Event that is started when the switching input is activated.

10.7 Switching Output

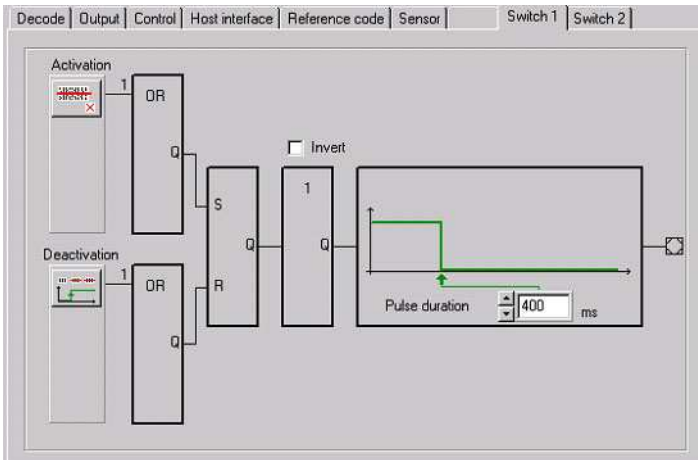


Figure 10.9: Standard setting of the switching output menu

- Activation** Select the desired event which is to initiate the switching of the switching output here. Multiple events can also be simultaneously activated.
- Deactivation** Shown here is the event which results in the switching output being reset (if the set pulse duration has not yet expired). Multiple events can also be simultaneously activated.
- Invert** Level inverted
- Pulse duration** Duration of the switching output impulse. A value of "0" in this position indicates a static level, i.e., the signal remains present until the deactivation event occurs.

11 Online commands

11.1 Overview of commands and parameters

Online commands can be used to send commands directly to the device for control and configuration.

For this the BCL 21/22 with MA ... must be connected to a host or service computer via the serial interface. The commands described can be sent either via the host or the service interface.

Online commands

With the commands, you can

- control/decode.
- read/write/copy parameters.
- carry out an automatic configuration.
- call up error messages.
- call up statistical device information.
- carry out a software reset in order to reinitialize the device.

Syntax

"Online" commands consist of one or two ASCII characters followed by command parameters.

No separation characters may be entered between the command and the command parameter(s). Both small and capitalized letters can be used.

Example:

Command '**CA**': autoConfig function

Parameter '**+**': Activation

Transmitted is: '**CA+**'

Notation

Commands, command parameters and returned data are enclosed between single quotation marks ' ' in the text of this manual.

Most online commands are acknowledged by the BCL 21/22 and any requested data returned. For commands that are not acknowledged, command execution can be observed or monitored directly on the device.

Overview

Online command	Parameter	Meaning
+	-	Deactivate decoding ¹⁾
-	-	Deactivate decoding ¹⁾
CA	+ / -	Automatic configuration of the reading task
CC	+ / -	Automatic code recognition
DM	Yes	Engine diagnosis
DUV	-	Supply voltage diagnosis
DS	Yes	Diagnosis status
ER	-	Request complete error buffer
H	-	Restart the device
JLA	+ / -	Adjustment of the laser-beam reading field start
JLD	+ / -	Adjustment of the laser-beam reading field end
JLE	-	Exit laser beam adjustment mode without saving
JLS	-	Exit laser beam adjustment mode with saving
JP	+ / -	Alignment mode
OA	1 / 2	Activate switching output
OD	1 / 2	Deactivate switching output
PC	Yes	Copy parameter set (e.g.: PC20 -> factory setting)
PR	Yes	Request parameters from the BCL
PS	Yes	Acknowledge parameter status
PT	Yes	Transfer parameters
RR	1...9	Read out defined reference codes
RS	Yes	Manual definition of the reference code
RT	Yes	Reference code - teach-in
V	-	Output the device version
SS	-	Set system to standby (motor and laser off)
SA	-	Reactivate system (motor on, laser still off)
,	-	Reference code - teach-in activation ¹⁾
.	-	Reference code - teach-in deactivation ¹⁾
?		Query whether transmit data are ready ¹⁾

1) Programmable online command

Table 11.1: Online command overview

11.1.1 General 'Online' commands

Software version number

Command	'V'
Description	Requests device version information
Parameter	No
Acknowledgement	'BCL 2x V 04.07 12.04.2011' The device type appears in the first line followed by the device's version number and date. (The data which are actually displayed may vary from the values given here.)



Notice!

Using this command, you can check whether the connected host or service computer is properly connected and configured. If you do not receive an acknowledgement, please check interface connections, protocol and service switches.

Software reset

Command	'H'
Description	Carries out a software reset. The device is restarted and reinitialized, leaving it in the same state as when the supply voltage is switched on.
Parameter	No
Acknowledgement	'S' (start signal)

autoConfig

Command	'CA'
Description	Activates or deactivates the 'autoConfig' function. Certain label reading parameters are programmed automatically in the setup by the labels which are read while the 'autoConfig' function is active.
Parameter	'+' activates 'autoConfig' '/' rejects the last code read '-' deactivates 'autoConfig' and stores the decoded data in the current parameter set
Acknowledgement	'CSx' x: Status '0' valid 'CA' command '1' invalid command '2' autoConfig could not be activated '3' autoConfig could not be deactivated '4' result could not be deleted
Description	'xx yy zzzzzz' xx: no. of digits of the read code yy Code type of the read code '01' 2/5 Interleaved '02' Code 39 '03' Code 32 '06' UPC (A, E) '07' EAN '08' Code 128, EAN 128 '09' Pharmacode '10' EAN Addendum '11' Codabar '12' Code 93 zzzzzz Contents of the decoded label. The ↑ appears if the label was not correctly read.

Code recognition

Command	'CC'
Description	Detects an unknown bar code and outputs number of digits, code type, and code information to the interface, without storing it in the parameter memory.
Parameter	No
Acknowledgement	<p>'xx yy zzzzzz'</p> <p>xx: No. of digits of the read code</p> <p>yy: Code type of the read code</p> <p>'01' 2/5 Interleaved</p> <p>'02' Code 39</p> <p>'03' Code 32</p> <p>'06' UPC (A, E)</p> <p>'07' EAN</p> <p>'08' Code 128, EAN 128</p> <p>'09' Pharmacode</p> <p>'10' EAN Addendum</p> <p>'11' Codabar</p> <p>'12' Code 93</p> <p>zzzzzz: Contents of the decoded label. The ↑ appears if the label was not correctly read.</p>

Alignment mode

Command	'JP'
Description	<p>This command is used for the easy mounting and alignment of the BCL 21/22. After the function has been activated by 'JP+', the scanner continuously supplies status information via the serial interfaces.</p> <p>With this online command, the scanner is set to terminate the decoding after 100 successfully decoded labels and output the status information. Subsequently, the read process is reactivated automatically.</p> <p>As status, the output returns the following values: scans which contain the valid label information on the basis of 100 scans, the decoding result.</p> <p>These values can be used to determine the decoding quality.</p> <p>In addition to the output of the status information, the laser beam is used to display the reading quality. Depending on how many labels were able to be extracted, the duration of the laser's "off" time increases.</p> <p>If the reading quality is high, the laser beam flashes in brief, regular intervals. The worse the decoder decodes, the longer the pauses become during which the laser is switched off. The flashing intervals become more and more irregular because the laser may, in total, be active for longer to extract more labels. The duration of the pauses has been stepped in such a way that they can be distinguished by the eye.</p>
Parameter	<p>'+' : starts the adjustment mode. '-' : ends the adjustment mode.</p>
Acknowledgement	<p>'xxxxx_yyyyy'</p> <p>xxxxx: "Scans since reading gate release" (scans_with info): Number of scans that contain valid label information. The maximum value is 100. It indicates for how many of 100 scans valid label information could be ascertained.</p> <p>yyyyy: Bar code information.</p>

Manual definition of the reference code

Command	RS
Description	This command can be used to define a new reference code in the BCL 21/22 by means of direct input via the serial interface. The data are saved in the parameter set according to their input under reference code 1 through 9 and stored in the working buffer for direct further processing.
Parameter	'RSyvxzzzzzzz' y, v, x and z are placeholders (variables) for the actual input. y : def. reference code no. '1' (Code 1) '2' (Code 2) ... '9' (Code 9) v Storage location for reference code: '0' RAM+EEPROM, '3' RAM only xx def. Code type (see command 'CA') z def. Code information (1 ... 63 characters)
Acknowledgement	'RSx' x : status '0' valid 'Rx' command '1' invalid command '2' insufficient memory for reference code '3' reference code has not been saved '4' reference code invalid
Example	Input = 'RS130678654331' (Code 1) (1), RAM only (3), UPC (06), code information

Teach-In

Command	'RT'
Description	This command enables a reference code to be defined quickly by reading an example label.
Parameter	<p>'RTy'</p> <p>y: Function</p> <p>'1' defines reference code 1</p> <p>'2' defines reference code 2 ...</p> <p>'9' defines reference code 9</p> <p>'+' activates the definition of reference code 1 up to the value of Parameter no_of_labels</p> <p>'.' exit the Teach-In process</p>
Acknowledgement	<p>The BCL first responds with the command 'RS' and corresponding status (see command RS). After a bar code has been read, it sends the result in the following format:</p> <p>'RCyvxxzzzz'</p> <p>y, v, x and z are placeholders (variables) for the actual input.</p> <p>y: def. reference code no.</p> <p>'1' (Code 1) ...</p> <p>'9' (Code 9)</p> <p>v: storage location for reference code</p> <p>'0' RAM+EEPROM,</p> <p>'3' RAM only</p> <p>xx def. Code type (see command 'CA')</p> <p>z def. Code information (1 ... 63 characters)</p>



Notice!

With this function, only code types are recognized that are identified using the autoConfig function or which were set in the set-up.

- ⚡ *After each reading via an 'RTx' command, explicitly switch off the function again since failure to do so will interfere with other commands as well as prevent execution of a new 'RTx' command.*

Reading a reference code

Command	'RR'
Description	The command reads out the reference code defined in the BCL. If no parameters are specified, all defined codes are output.
Parameter	<Reference code number> '1' ... '9' value range of reference codes 1 to 9
Acknowledgement	If no reference codes are defined, the BCL responds with the 'RS' command and corresponding status (see command RS). For valid codes, the output corresponds to the following format: RCyvxxzzzzz y, v, x and z are placeholders (variables) for the actual input. y: def. reference code No. '1' (Code 1) ... '9' (Code 9) v: Storage location for reference code '0' RAM+EEPROM, '3' RAM only xx def. Code type (see command 'CA') z def. Code information (1 ... 63 characters)

Copy parameter set

Command	'PC'
Description	The command copies complete parameter sets.
Parameter	'03' copy parameters from the EEPROM into the RAM and initialize all associated functions '20' copy standard parameters from the FLASH into the EEPROM and RAM and initialize all relevant functions '30' copy parameters from the RAM into the EEPROM
Acknowledgement	'PSx' x: status '0' valid transmission '1' invalid message '2' invalid length of message '3' invalid block check type '4' invalid block check checksum '5' invalid data length '6' invalid message data '7' invalid start address '8' invalid parameter set '9' invalid parameter set type
Example	Input: PC20 → all parameters are reset to default values.

11.1.2 'Online' commands for system control

System standby

Command	'SS'
Description	System Standby: puts the bar code reader in standby mode. The scanner cannot be triggered, and the polygon wheel motor is stopped.
Parameter	No
Acknowledgement	No

System boot-up

Command	'SA'
Description	System boot-up: reactivates the bar code reader from standby mode back to operating mode. The polygon wheel motor is started, the scanner works as usual.
Parameter	No
Acknowledgement	'S' (start signal)

Activate sensor input 1

Command	'+'
Description	The command activates decoding.
Parameter	no
Acknowledgement	no

Deactivate sensor input 1

Command	'-'
Description	The command deactivates decoding.
Parameter	no
Acknowledgement	no

Activate sensor input 2

Command	','
Description	The command activates the definition of reference code 1.
Parameter	no
Acknowledgement	no

Deactivate sensor input 2

Command	'1'
Description	The command deactivates the definition of reference code 1.
Parameter	No
Acknowledgement	No

Activate switching output

Command	'0Ax'
Description	The command activates a selected switching output.
Parameter	'0Ax': Activate switching output x: Switching output No. '1' (output 1) '2' (output 2)
Acknowledgement	No

Deactivate switching output

Command	'0Dx'
Description	The command deactivates a selected switching output.
Parameter	'0Dx': Deactivate switching output x: Switching output No.: '1' (output 1) '2' (output 2)
Acknowledgement	No

11.1.3 'Online' commands for system checking

Query: Supply Voltage

Command	'DUV'
Description	Queries the supply voltage with which the bar code reader is supplied.
Parameter	No
Acknowledgement	'DUVxx.x' xx.x: voltage value, for example 28.2 for 28.2Volt.

Diagnosis motor

Command	'DM'
Description	The command requests the operational data of the motor. In addition, the motor can be switched on and off.
Parameter	'S' Request rotary frequency of the motor. (Message from host) 'Cxxxxx' Transmission of the motor RPM as a decimal number with 5 digits. (Message to host)
Acknowledgement	'Sxxxxx'
Description	xxxxx is the current rotary frequency of the motor in revolutions per minute. In case of malfunction, the BCL responds with the command 'DS' and the corresponding status. (See command 'DS')

Status message for diagnosis commands

Command	'DS'
Description	The command serves as an acknowledgement message to the host. The command contains as a two-digit decimal number an acknowledgement status which provides information about the processing of the requested diagnosis function.
Parameter	'0' valid processing '1' invalid diagnostic message '2' message too long '3' invalid message parameter of the laser diagnosis command '4' invalid length of the laser diagnosis message '5' invalid message parameter of the motor diagnosis command '6' invalid length of the motor diagnosis message

11.1.4 'Online' command for querying error messages

Query memory error messages

Command	'ER'
Description	The command queries the buffer memory of the error messages.
Parameter	No
Acknowledgement	1st line: new: cc 2nd through 11th lines: '- 00.000 ' if no error has occurred ' F tt.fff ' if a fatal error has occurred ' E tt.fff ' if an error has occurred ' C tt.fff ' if a critical warning has occurred ' W tt.fff ' if a warning has occurred
Description	cc : number of (new) errors in the error buffer tt : task/ function number fff : error number Upon output, the counter for the number of errors in the error buffer is deleted, but not the buffer itself!



Notice!

If an error occurs, note the error number and contact your local Leuze service organization. The addresses can be found on the back page of this operating manual.

11.1.5 'Online' commands for laser adjustment

Setting the laser beam at the start of the reading field

Command	'JLA'
Description	Command for setting the laser beam at the start of the reading field. It is not possible for the reading field start position to overlap the end position. There is always a small distance between the start and end.
Parameter	'+' reading field start position is increased by one percent. '-' reading field start position is decreased by one percent.
Acknowledgement	The BCL does not return a response.

Setting the laser beam at the end of the reading field

Command	'JLD'
Description	Command for setting the laser beam at the end of the reading field. It is not possible for the reading field start position to overlap the end position. There is always a small distance between the start and end.
Parameter	'+' reading field end position is increased by one percent. '-' reading field end position is decreased by one percent.
Acknowledgement	The BCL does not return a response.

Exiting laser beam adjustment mode WITHOUT saving

Command	'JLE'
Description	Command for exiting the entire laser beam adjustment mode without saving the previously set parameters with the commands listed above in the EEPROM. (Parameters do however remain in RAM memory). If everything is to be rejected, the scanner must be reset.
Parameter	No
Acknowledgement	The BCL does not return a response.

Exiting laser beam adjustment mode WITH saving

Command	'JLS'
Description	Command for exiting the complete laser beam adjustment mode. The previously set parameters with the commands listed above are saved in the EEPROM.
Parameter	No
Acknowledgement	The BCL does not return a response.

11.1.6 'Online' commands for parameter handling

Requesting parameter data from the BCL

Command	'PR'
Description	The PR command (ParameterblockRequest) requests parameter data from the BCL. The <PS type> parameter indicates from which parameter set the data are to be transferred.
Parameter	<p>'PR' <BCC type> <PS type> <Start address> <Data length> [; <Start address> <Data length>]</p> <p><BCC type> Check-digit function during transfer '0' No check digit '3' BCC mode 3 [<BCC> check digit]</p> <p><PS type> Parameter set type '0' Current parameter set (non-volatile memory) '1' Reserved '2' Default parameter set (fixed memory) '3' Operating values (RAM memory, lost following a reset)</p> <p><Start address> Parameter address (3-digits) <Data length> Number of bytes to be read out (3-digits)</p> <p>The maximum data length is 123 bytes. If the HOST would like to read out more than 123 bytes, it must divide the transmission into multiple requests.</p>
Acknowledgement	<p>'PSx'</p> <p>x: acknowledgment '1' not a valid 'Px' command '2' impermissible command length '3' impermissible value for checksum type '5' impermissible number of parameters requested '6' requested data does not (any longer) fit in the transmission buffer '7' impermissible address value '8' read access after end of parameter set '9' impermissible parameter set type</p>
Additions	<p>Protocol:</p> <p>The HOST asks the BCL to send parameter data. If the request is valid, the BCL responds with the PT command (ParameterblockTransmit) and sends the corresponding parameters.</p> <p>If the HOST does not receive any valid data, it must itself ensure that these data are requested again. The HOST always receives the status '0' for no further message.</p> <p>If an error occurs during the request, the HOST receives a negative message acknowledgment from the PS command (see the PS command).</p>

Calling up parameter status

Command	'PS'
Description	The PS command (Parameter Status) acknowledges the received message and transmits an acknowledgment status which indicates whether the message was valid or invalid.
Parameter	'PSx' x: acknowledgment '0' valid transmission '1' invalid message '2' invalid length of message '3' invalid block check type '4' invalid block check checksum '5' invalid data length '6' invalid message data '7' invalid start address '8' invalid parameter set '9' invalid parameter set type
Additions	Protocol: The HOST sends parameter data and then waits for an acknowledgment message from the BCL. All faulty messages of the parameter transmissions are also acknowledged with this command.

Transmitting parameter data to the BCL

Command	'PT'
<p>Description</p>	<p>The PT command (ParameterblockTransmit) transmits parameter data starting from the defined address and stores them in an intermediate buffer. If the status indicates that further messages follow, these are also stored in the intermediate buffer before they are then stored under the corresponding parameter set type in the EEPROM. The transmission can optionally occur with a block check test of the message data.</p>
<p>Parameter</p>	<p>'PT' <BCC type> <PS type> <Status> <Start address> <Para0H> <Para0L> [... <Para122L>] [; <Start address> <Para0H> ...] [<BCC>] <BCC type> Check-digit function during transfer '0' no check digit '3' BCC mode 3 [<BCC> check digit] <PS type> Parameter set type '0' current parameter set (non-volatile memory) '1' reserved '2' default parameter set (fixed memory) '3' operating values (RAM memory, lost following a reset) <Mode> Parameter processing mode '0' does not perform a reset following the write operation, no additional parameters follow. '1' does not perform a reset following the write operation, additional parameters follow. '2' performs the next reset, no additional parameters follow. <Start address> Parameter address (3-digits) <Data length> Number of bytes to be read out (3-digits)</p> <p>The maximum data length is 123 bytes. If the HOST would like to write more than 123 bytes, it must divide the transmission into multiple messages.</p>
<p>Acknowledgement</p>	<p>'PSx' x: acknowledgment '0' transmission valid and saved successfully '1' not a valid 'Px' '2' impermissible command length '3' impermissible value for checksum type '4' invalid received checksum '5' impermissible data length</p>
<p>Additions</p>	<p>Protocol: The HOST sends its parameters and then waits for positive acknowledgment by the BCL. If acknowledgment is negative, the process is to be repeated by the host.</p>

12 Maintenance

12.1 General Maintenance Information

The bar code reader BCL 21/22 and the connector unit MA 2/MA 4.../MA 2xxi normally should not require any maintenance by the user.

Cleaning

Should it become soiled, clean the glass window of the BCL 21/22 with a soft cloth.



Notice!

Do not use aggressive cleaning agents such as thinner or acetone for cleaning the device.

12.2 Repairs, Servicing

Repairs to the device must only be carried out by the manufacturer.

- ✎ *Contact your Leuze distributor or service organization should repairs be required. For addresses, please refer to the back page of this operating manual.*

13 Appendix

13.1 ASCII Table

ASCII	Dec.	Hex.	Oct.	Designation	Meaning
NUL	0	00	0	NULL	Null
SOH	1	01	1	START OF HEADING	Start of heading
STX	2	02	2	START OF TEXT	Start of text characters
ETX	3	03	3	END OF TEXT	Last character of text
EOT	4	04	4	END OF TRANSMISS.	End of transmission
ENQ	5	05	5	ENQUIRY	Request for data trans.
ACK	6	06	6	ACKNOWLEDGE	Positive acknowledgement
BEL	7	07	7	BELL	Bell signal
BS	8	08	10	BACKSPACE	Backspace
HT	9	09	11	HORIZ. TABULATOR	Horizontal tabulator
LF	10	0A	12	LINE FEED	Line feed
VT	11	0B	13	VERT. TABULATOR	Vertical tabulator
FF	12	0C	14	FORM FEED	Form feed
CR	13	0D	15	CARRIAGE RETURN	Carriage return
SO	14	0E	16	SHIFT OUT	Shift out
SI	15	0F	17	SHIFT IN	Shift in
DLE	16	10	20	DATA LINK ESCAPE	Data link escape
DC1	17	11	21	DEVICE CONTROL 1	Device control character 1
DC2	18	12	22	DEVICE CONTROL 2	Device control character 2
DC3	19	13	23	DEVICE CONTROL 3	Device control character 3
DC4	20	14	24	DEVICE CONTROL 4	Device control character 4
NAK	21	15	25	NEG. ACKNOWLEDGE	Negative acknowledge
SYN	22	16	26	SYNCHRONOUS IDLE	Synchronization
ETB	23	17	27	EOF TRANSM. BLOCK	End of data transmission block
CAN	24	18	30	CANCEL	Invalid
EM	25	19	31	END OF MEDIUM	End of medium
SUB	26	1A	32	SUBSTITUTE	Substitution
ESC	27	1B	33	ESCAPE	Escape
FS	28	1C	34	FILE SEPARATOR	File separator
GS	29	1D	35	GROUP SEPARATOR	Group separator
RS	30	1E	36	RECORD SEPARATOR	Record separator
US	31	1F	37	UNIT SEPARATOR	Unit separator
SP	32	20	40	SPACE	Space
!	33	21	41	EXCLAMATION POINT	Exclamation point
"	34	22	42	QUOTATION MARK	Quotation mark
#	35	23	43	NUMBER SIGN	Number sign

ASCII	Dec.	Hex.	Oct.	Designation	Meaning
\$	36	24	44	DOLLAR SIGN	Dollar sign
%	37	25	45	PERCENT SIGN	Percent sign
&	38	26	46	AMPERSAND	Ampersand
'	39	27	47	APOSTROPHE	Apostrophe
(40	28	50	OPEN. PARENTHESIS	Open parenthesis
)	41	29	51	CLOS. PARENTHESIS	Closed parenthesis
*	42	2A	52	ASTERISK	Asterisk
+	43	2B	53	PLUS	Plus sign
,	44	2C	54	COMMA	Comma
-	45	2D	55	HYPHEN (MINUS)	Hyphen
.	46	2E	56	PERIOD (DECIMAL)	Period (decimal)
/	47	2F	57	SLANT	Slant
0	48	30	60	0	Number
1	49	31	61	1	Number
2	50	32	62	2	Number
3	51	33	63	3	Number
4	52	34	64	4	Number
5	53	35	65	5	Number
6	54	36	66	6	Number
7	55	37	67	7	Number
8	56	38	70	8	Number
9	57	39	71	9	Number
:	58	3A	72	COLON	Colon
;	59	3B	73	SEMI-COLON	Semi-colon
<	60	3C	74	LESS THAN	Less than
=	61	3D	75	EQUALS	Equals
>	62	3E	76	GREATER THAN	Greater than
?	63	3F	77	QUESTION MARK	Question mark
@	64	40	100	COMMERCIAL AT	Commercial AT
A	65	41	101	A	Capital letter
B	66	42	102	B	Capital letter
C	67	43	103	C	Capital letter
D	68	44	104	D	Capital letter
E	69	45	105	E	Capital letter
F	70	46	106	F	Capital letter
G	71	47	107	G	Capital letter
H	72	48	110	H	Capital letter
I	73	49	111	I	Capital letter
J	74	4A	112	J	Capital letter
K	75	4B	113	K	Capital letter

ASCII	Dec.	Hex.	Oct.	Designation	Meaning
L	76	4C	114	L	Capital letter
M	77	4D	115	M	Capital letter
N	78	4E	116	N	Capital letter
O	79	4F	117	O	Capital letter
P	80	50	120	P	Capital letter
Q	81	51	121	Q	Capital letter
R	82	52	122	R	Capital letter
S	83	53	123	S	Capital letter
T	84	54	124	T	Capital letter
U	85	55	125	U	Capital letter
V	86	56	126	V	Capital letter
W	87	57	127	W	Capital letter
X	88	58	130	X	Capital letter
Y	89	59	131	Y	Capital letter
Z	90	5A	132	Z	Capital letter
[91	5B	133	OPENING BRACKET	Opening bracket
\	92	5C	134	REVERSE SLANT	Reverse slant
]	93	5D	135	CLOSING BRACKET	Closing bracket
^	94	5E	136	CIRCUMFLEX	Circumflex
_	95	5F	137	UNDERSCORE	Underscore
'	96	60	140	GRAVE ACCENT	Grave accent
a	97	61	141	a	Lower case letter
b	98	62	142	b	Lower case letter
c	99	63	143	c	Lower case letter
d	100	64	144	d	Lower case letter
e	101	65	145	e	Lower case letter
f	102	66	146	f	Lower case letter
g	103	67	147	g	Lower case letter
h	104	68	150	h	Lower case letter
i	105	69	151	i	Lower case letter
j	106	6A	152	j	Lower case letter
k	107	6B	153	k	Lower case letter
l	108	6C	154	l	Lower case letter
m	109	6D	155	m	Lower case letter
n	110	6E	156	n	Lower case letter
o	111	6F	157	o	Lower case letter
p	112	70	160	p	Lower case letter
q	113	71	161	q	Lower case letter
r	114	72	162	r	Lower case letter
s	115	73	163	s	Lower case letter

ASCII	Dec.	Hex.	Oct.	Designation	Meaning
t	116	74	164	t	Lower case letter
u	117	75	165	u	Lower case letter
v	118	76	166	v	Lower case letter
w	119	77	167	w	Lower case letter
x	120	78	170	x	Lower case letter
y	121	79	171	y	Lower case letter
z	122	7A	172	z	Lower case letter
{	123	7B	173	OPENING BRACE	Opening brace
	124	7C	174	VERTICAL LINE	Vertical line
}	125	7D	175	CLOSING BRACE	Closing brace
~	126	7E	176	TILDE	Tilde
DEL	127	7F	177	DELETE (RUBOUT)	Delete

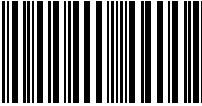
Table 13.1: ASCII Table

13.2 Example Bar Code Label Types

13.2.1 Module 0.3

Code type 01: Interleaved 2 of 5

Modul 0,3



Code type 02: Code 39

Modul 0,3



Code type 11: Codabar

Modul 0,3



Code 128

Modul 0,3



Code type 08: EAN 128

Modul 0,3



Code type 06: UPC-A

SC 2



Code type 07: EAN 8

SC 3



Code type 10: EAN 13 Add-on

SC 0

S



Figure 13.1: Bar code sample labels (module 0.3)

13.2.2 Module 0.5

Code type 01: Interleaved 2 of 5

Modul 0,5



Code type 02: Code 39

Modul 0,5



Code type 11: Codabar

Modul 0,5



Code 128

Modul 0,5



Code type 08: EAN 128

Modul 0,5



Code type 06: UPC-A

SC 4



Code type 07: EAN 8

SC 6



Code type 10: EAN 13 Add-on

SC 2



Figure 13.2: Bar code sample labels (module 0.5)

13.3 Declaration of Conformity BCL 21/22

 the sensor people		
EG-KONFORMITÄTS- ERKLÄRUNG	EC DECLARATION OF CONFORMITY	DECLARATION CE DE CONFORMITE
Der Hersteller	The Manufacturer	Le constructeur
	Leuze electronic GmbH + Co. KG In der Braike 1, PO Box 1111 73277 Owen, Germany	
erklärt, dass die nachfolgend aufgeführten Produkte den einschlägigen Anforderungen der genannten EG-Richtlinien entsprechen.	declares that the following listed products fulfill the relevant provisions of the mentioned EC Directives.	déclare que les produits identifiés suivants sont conformes aux directives CE mentionnées.
Produktbeschreibung:	Description of product:	Description de produit:
Stationäre Barcodeleser BCL 2x	Stationary Barcode Reader BCL 2x	Lecteurs Stationn.de Code à Barres BCL 2x
Angewandte EG-Richtlinie(n):	Applied EC Directive(s):	Directive(s) CE appliquées:
2004/108/EG 2006/95/EG	2004/108/EC 2006/95/EC	2004/108/CE 2006/95/CE
Angewandte Normen:	Applied standards:	Normes appliquées:
EN 61000-6-2: 2005 EN 61000-6-3: 2007		EN 60825-1: 2007
<div style="display: flex; justify-content: space-around; align-items: flex-end;"> <div style="text-align: center;">  Datum / Date / Date </div> <div style="text-align: center;">  Dr. Harald Grübel, Geschäftsführer / Director / Directeur </div> </div>		
<small>Leuze electronic GmbH + Co. KG In der Braike 1 D-73277 Owen Telefon +49 (0) 7021 573-0 Telefax +49 (0) 7021 573-199 info@leuze.de www.leuze.com LEO-ZQM-148-01-FO</small>	<small>Leuze electronic GmbH + Co. KG, Sitz Owen, Registergericht Stuttgart, HRA 230712 Persönlich haftende Gesellschafterin Leuze electronic Geschäftsführungs-GmbH, Sitz Owen, Registergericht Stuttgart, HRB 230550 Geschäftsführer: Dr. Harald Grübel (Vorstandsvize), Karsten Just USt-IdNr. DE 145912521 Zollnummer 2554232 Es gelten ausschließlich unsere aktuellen Verkaufs- und Lieferbedingungen Only our current Terms and Conditions of Sale and Delivery shall apply</small>	

Figure 13.3: Declaration of Conformity BCL 21/22