

FT 318B

Reflection light scanner with fading

en 03-2015/09 50123664



1 ... 280mm  
2 ... 120mm  
(with 90° angular optics)



- Reflection light scanner with fading
- V-optics allow for reliable detection of dark objects in the short range
- Scanning range adjustment via teach-in
- Visible red light
- Axial and 90° light beam gate for flexible integration
- Active suppression of extraneous light A²LS
- Fast alignment through *brightVision*®
- Simple fine adjustment via *omni-mount*
- Embedded mounting option
- Full control through green and yellow indicator LEDs
- Robust plastic housing acc. to IP 67 for industrial application

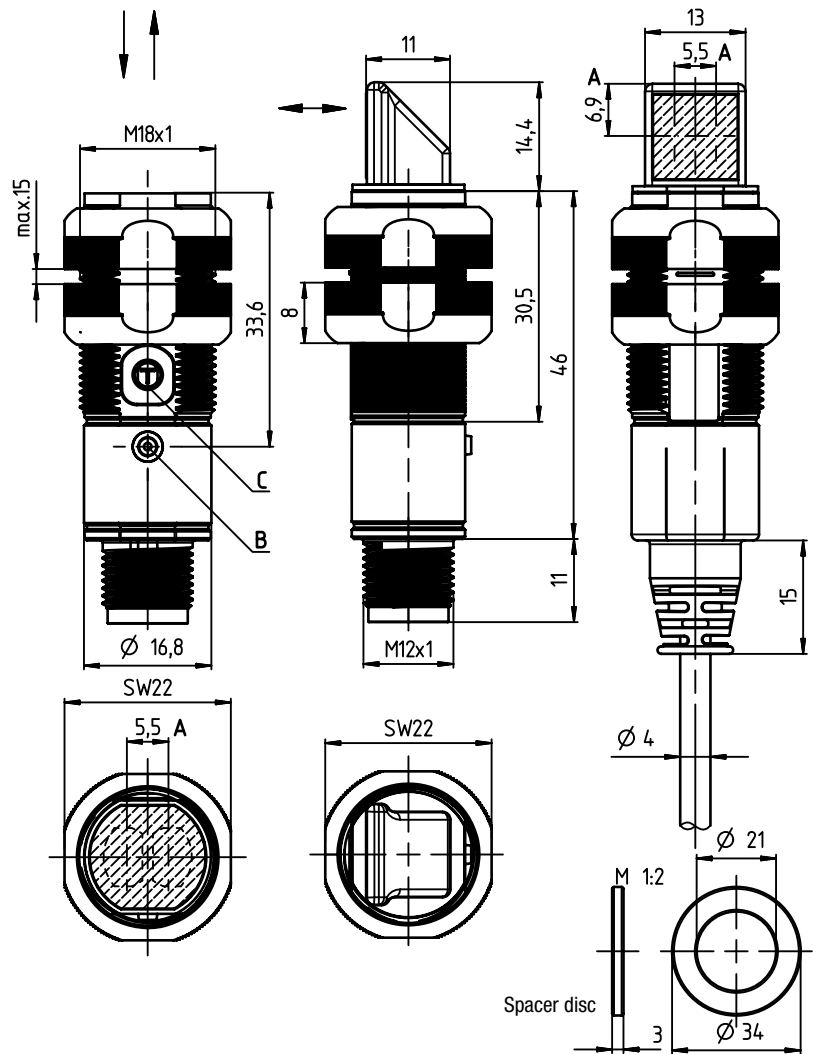


Accessories:

(available separately)

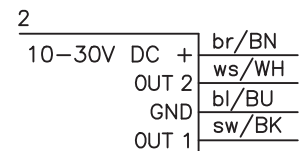
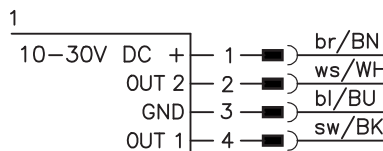
- Mounting systems (BT D18M.5, BT D21M, BT 318...)
- M12 connectors (KD ...)
- Ready-made cables (K-D ...)

Dimensioned drawing



- A Optical axes
- B Indicator diode
- C Teach button

Electrical connection



We reserve the right to make changes • DS\_FT318B\_en\_50123664.fm

## Specifications

### Optical data

Scanning range limit <sup>1)</sup>	axial optics: 1 ... 280mm
Scanning range <sup>2)</sup>	90° optics: 2 ... 120mm
Light source	see tables
Wavelength	LED (modulated light) 620nm (visible red light)

### Timing

Switching frequency	500Hz
Response time	1ms
Delay before start-up	≤ 300ms

### Electrical data

Operating voltage U <sub>B</sub> <sup>3)</sup>	10 ... 30VDC (incl. residual ripple)
Residual ripple	≤ 15% of U <sub>B</sub>
Open-circuit current	≤ 20mA
Switching output	.../4P... 2 PNP transistor outputs pin 2: PNP dark switching, pin 4: PNP light switching
	.../2N... 2 NPN transistor outputs pin 2: NPN dark switching, pin 4: NPN light switching
	≥ (U <sub>B</sub> -2.5V) ≤ 2.5V
	max. 100mA <sup>4)</sup>
Signal voltage high/low	
Output current	

### Indicators

Green LED	ready
Yellow LED	reflection (object detected)

### Mechanical data

Housing	plastic
Optics cover	plastic
Weight	20g with M12 connector 70g with 2m cable
Connection type	M12 connector, 4-pin cable 2m, 4x0.20mm <sup>2</sup>

### Environmental data

Ambient temp. (operation/storage)	-40°C ... +60°C/-40°C ... +70°C
Protective circuit <sup>5)</sup>	2, 3
VDE safety class	III
Degree of protection	IP 67
Light source	exempt group (in acc. with EN 62471)
Standards applied	IEC 60947-5-2
Certifications	UL 508, C22.2 No.14-13 <sup>3)</sup> <sup>6)</sup>

- 1) Scanning range limit: typical scanning range
- 2) Scanning range: ensured scanning range
- 3) For UL applications: for use in class 2 circuits according to NEC only
- 4) Sum of the output currents for both outputs, 50mA when ambient temperatures > 40°C
- 5) 2=polarity reversal protection, 3=short circuit protection for all outputs
- 6) These proximity switches shall be used with UL Listed Cable assemblies rated 30V, 0.5A min, in the field installation, or equivalent (categories: CYJV/CYJV7 or PVVA/PVVA7)



### Fading: black/white error < 50%

The black/white error is calculated from the scanning range against white and the reduction of the scanning range against black:

$$\text{Black/white error} = \frac{\text{Reduction of the scanning range against black}}{\text{Scanning range against white}} \times 100\%$$

### Example axial optics:

Setting: "teach on object" at 160mm on white 90%

#### - Detection:

Black object, 6%, is detected at approx. 100mm, the black/white error here is:  
60mm / 160mm = approx. 38%

Setting: "teach on object" at 120mm on black 6%

#### - Situation in background:

White object, 90%, is no longer detected at distance > 200mm, the black/white error here is: 80mm / 200mm = 40%

### Example 90° angular optics

Setting: "teach on object" at 85mm on white 90%

#### - Detection:

Black object, 6%, is detected at approx. 50mm, the black/white error here is:  
35mm / 85mm = approx. 41%

Setting: "teach on object" at 65mm on black 6%

#### - Situation in background:

White object, 90%, is no longer detected at distance > 110mm, the black/white error here is: 45mm / 110mm = 41%

## Tables

### Axial optics:

1	1	215	280
2	1	190	245
3	3	150	190
4	5	125	160

### 90° optics:

1	2	100	120
2	5	92	110
3	7	76	92
4	8	65	80

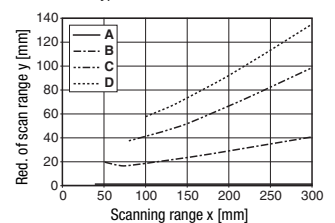
1	white 90%
2	gray 50%
3	gray 18%
4	black 6%

- Scanning range [mm]
- Typ. scanning range limit [mm]

## Diagrams

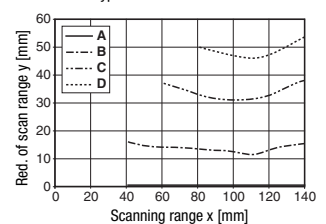
### Axial optics:

Typ. black/white behavior

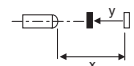


### 90° optics:

Typ. black/white behavior



- A white 90%
- B gray 50%
- C gray 18%
- D black 6%



## Remarks

### Operate in accordance with intended use!

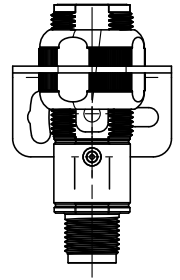
- ⚠ This product is not a safety sensor and is not intended as personnel protection.
- ⚠ The product may only be put into operation by competent persons.
- ⚠ Only use the product in accordance with the intended use.

- With the set scanning range, a tolerance of the scanning range limits is possible depending on the reflection properties of the material surface.

**Mounting options**

**Standard mounting**

Alignment of the supplied mounting nuts with flat side towards the mounting sheet.  
Mounting bracket BT D18M.5 is recommended for standard mounting.

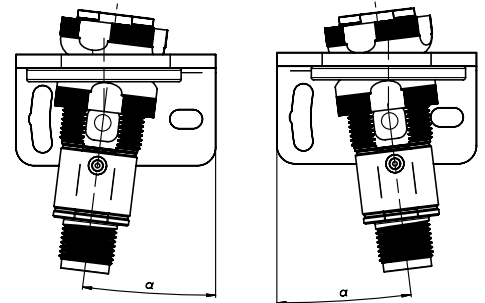


**Omni-mount**

*Omni-mount* makes fine adjustment of the sensors possible in a very simple and economical manner. For this type of mounting, the mounting nuts are used with the round side towards the mounting device. The mounting sheet must have a bore hole of approx. 21 mm in diameter. The special molding of the mounting nuts together with the spacer disc included in the delivery contents allows form-locking fastening of the sensors at different adjustment angles. The maximum possible tilt angle depends on the thickness of the mounting sheet. Mounting bracket BT D21M is recommended for *omni-mount*.

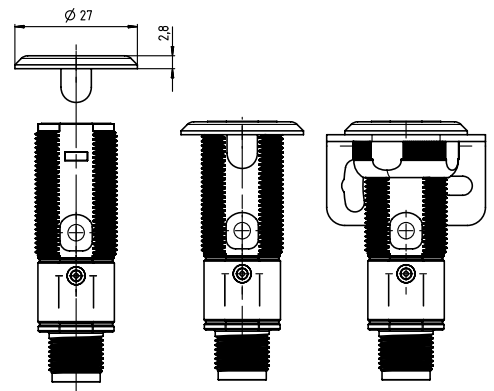
Mounting sheet thickness	Max. adjustment angle
2 mm	+/- 5°
4 mm <sup>*)</sup>	+/- 8°

<sup>\*)</sup> Corresponds to the thickness of the BT D21M mounting bracket



**Embedded mounting**

Embedded mounting, e.g. into a materials handling belt, is possible via the BT 318P-LS mounting support. The supports can be used either for fastening the axial sensors or for sensors with 90° optics.



## Order guide

The sensors listed here are preferred types; current information at [www.leuze.com](http://www.leuze.com).

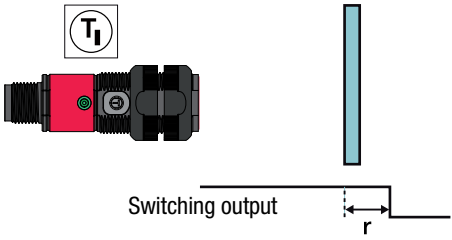
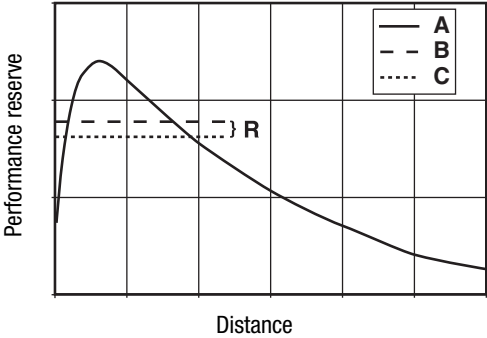
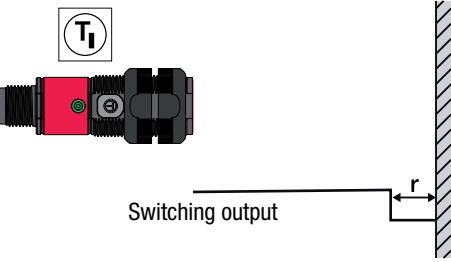
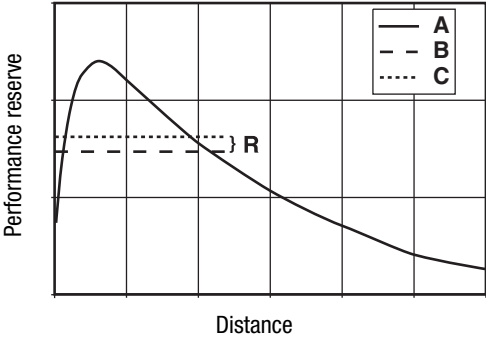
		Designation	Part no.
<b>Sensors with axial optics</b>			
<b>With M12 connector</b>	Pin 4: PNP light switching, pin 2: PNP dark switching	FT 318B.3/4P-M12	50122554
	Pin 4: NPN light switching, pin 2: NPN dark switching	FT 318B.3/2N-M12	50122556
<b>With cable, 2m</b>	Pin 4: PNP light switching, pin 2: PNP dark switching	FT 318B.3/4P	50122555
	Pin 4: NPN light switching, pin 2: NPN dark switching	FT 318B.3/2N	50122557
<b>Sensors with 90° angular optics</b>			
<b>With M12 connector</b>	Pin 4: PNP light switching, pin 2: PNP dark switching	FT 318B.W3/4P-M12	50122550
	Pin 4: NPN light switching, pin 2: NPN dark switching	FT 318B.W3/2N-M12	50122552
<b>With cable, 2m</b>	Pin 4: PNP light switching, pin 2: PNP dark switching	FT 318B.W3/4P	50122551
	Pin 4: NPN light switching, pin 2: NPN dark switching	FT 318B.W3/2N	50122553
<b>Accessories for optimum fastening</b>			
Support for embedded mounting	Collective packaging with 10 supports	BT 318P-LS	50117258
Mounting bracket for standard mounting		BT D18M.5	50113548
Mounting bracket for <i>omni-mount</i>		BT D21M	50117257

## Part number code

F	T	3	1	8	B	.	W	3	/	4	P	-	M	1	2
---	---	---	---	---	---	---	---	---	---	---	---	---	---	---	---

<b>Operating principle</b>	
FT	Reflection light scanner with fading
<b>Series</b>	
318B	Series 318B
<b>Equipment</b>	
.3	Axial optics, teach-in via teach button
.W3	90° angular optics, teach-in via teach button
<b>Switching output/function /OUT1/OUT2 (OUT1 = Pin 4, OUT2 = Pin 2)</b>	
4	PNP, light switching
P	PNP, dark switching
2	NPN, light switching
N	NPN, dark switching
X	Pin not used
<b>Electrical connection</b>	
-M12	M12 connector, 4-pin
N/A	Cable, standard length 2m

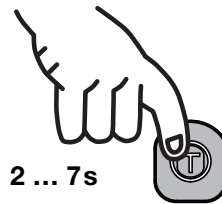
**Teach-in method**

Teach	Operating level 1	Operating level 2
Standard Teach	<p><b>Teach on object:</b></p> <p>With this teach event, the object is located in front of the sensor. The switching threshold is set by the teach so that the object is detected with tight signal reserve <b>R</b>. Thus, the object is detected even if the distance increases by the value <b>r</b> with respect to the distance during the teach.</p>   <p><b>A</b> Signal - object  <b>B</b> Teach on object  <b>C</b> Switching threshold</p>	<p><b>Teach on background:</b></p> <p>This teach is only suitable for applications with a fixed background. The teach is performed directly on the background without an object. The switching threshold is set to a value that is just above the background signal (signal reserve <b>R</b>). Thus, objects can be detected up to a distance of <b>r</b> in front of the background.</p>   <p><b>A</b> Signal - background  <b>B</b> Teach on background  <b>C</b> Switching threshold</p>

**Operation via teach button**

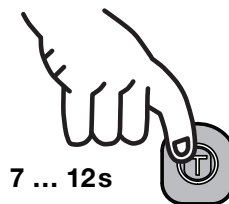
**Teach in operating level 1**

- Press teach button until the **yellow** LED flashes.
- Release teach button.
- Ready.



**Teach in operating level 2**

- Press teach button until **green** and **yellow** LEDs flash **alternately**.
- Release teach button.
- Ready.

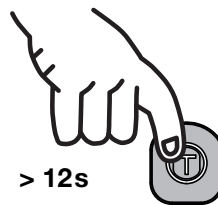


**Adjusting the switching behavior of the switching output – light/dark switching**

This function permits inversion of the sensors' switching logic.

- Press teach button until the **green** LED flashes.
- Release teach button.
- The LED then displays the changed switching logic for 2s:

- YELLOW** = switching outputs **light switching**
- Continuous light** (in the case of complementary sensors, Q1 (pin 4) light switching, Q2 (pin 2) dark switching), this means output active when object is detected.
- GREEN** = switching outputs **dark switching**
- Flashing light** (in the case of complementary sensors, Q1 (pin 4) dark switching, Q2 (pin 2) light switching), this means output inactive when object is detected.



2s **YELLOW** =  
light switching

or



flashes **GREEN** for 2s =  
dark switching

- Ready.