

# Technical data sheet · Network cables PROFINET

Actuator sensor interface



<b>Identification</b>	Type	STG4-RJ45/STG4-M12/PN CAT5 PUR 5,0M
	Part-No.	192013.0500

<b>Description</b>	Male RJ45 straight to female M12 straight with PUR cable, Cat 5 self-locking screwed connection c-track compatible, halogen free
--------------------	--

<b>Technical data</b>	
Number of conductors/cross-section	(2×2×AWG22/7)
Form male 1	RJ45 Male straight
Form male 2	M 12 Male straight
Pole number	4
Category	Cat 5
Number of conductors	4
Outer Ø	6.5 mm
Cable length	5 m
Rated voltage $U_N$	DC 24 V
Rated current	1.5 A

28.04.2017 – Subject to technical modification

Part-No. 192013.0500

USA: LUTZE INC.

13330 South Ridge Drive • Charlotte, NC 28273, USA  
Tel. +1 (704) 504-0222 • Fax +1 (704) 504-0223  
www.lutze.com • info@lutze.com

United Kingdom: LÜTZE Ltd.

Unit 3, Sandy Hill Park  
Sandy Way, Amington • GB-Tamworth, Staffs B77 4DU  
Tel. +44 (0)1827 31333-0 • Fax +44 (0)1827 31333-2  
www.lutze.com • sales.gb@lutze.co.uk



SYSTEMATIC TECHNOLOGY

## Technical data sheet · Network cables PROFINET

Test voltage	1000 V
Insulation resistance	>1000 M $\Omega$ × km
Contact resistance	<20 m $\Omega$
Protection class	IP20
Coding	D
Shielding	360°
Temperature range connector	-25 °C ... 85 °C
Temperature range fixed	-25 °C ... +80 °C
Temperature range moving	-25 °C ... +70 °C
Minimum bending radius fixed	6×D
Minimum bending radius moving	12×D
Mounting	Breakaway torque 0.4 Nm

### Construction

Number of conductors/cross-section	(2×2×AWG22/7)
Number of conductors	4
Conductor color	various
Conductor insulation	TPE-O
Jacket material	PUR
Jacket color	green RAL 6018

### General

Housing material	TPU PA
Colour of the housing	black
Contact material	CuSn, gold-plated
Thread material	Zinc die-casting, nickel-plated
Mounting	Breakaway torque 0.4 Nm
Weight	0.34 kg/piece
PU	1 Quantity

### Dimensions



28.04.2017 – Subject to technical modification

Part-No. 192013.0500

USA: LUTZE INC.

13330 South Ridge Drive • Charlotte, NC 28273, USA

Tel. +1 (704) 504-0222 • Fax +1 (704) 504-0223

www.lutze.com • info@lutze.com

United Kingdom: LÜTZE Ltd.

Unit 3, Sandy Hill Park

Sandy Way, Amington • GB-Tamworth, Staffs B77 4DU

Tel. +44 (0)1827 31333-0 • Fax +44 (0)1827 31333-2

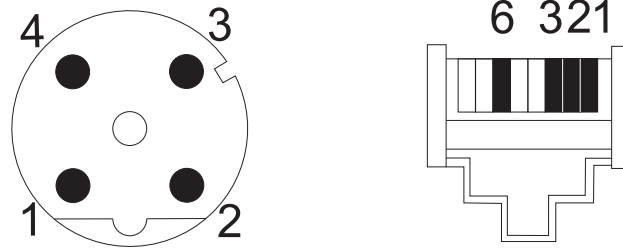
www.lutze.com • sales.gb@lutze.co.uk



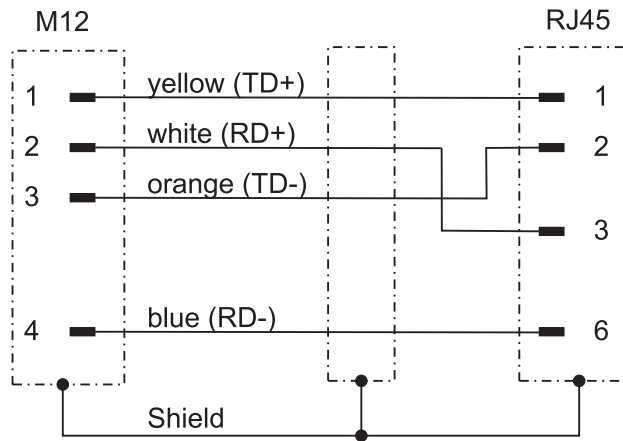
SYSTEMATIC TECHNOLOGY

# Technical data sheet · Network cables PROFINET

## PIN assignment



## Circuit diagram



28.04.2017 – Subject to technical modification

Part-No. 192013.0500

USA: LUTZE INC.

13330 South Ridge Drive · Charlotte, NC 28273, USA

Tel. +1 (704) 504-0222 · Fax +1 (704) 504-0223

www.lutze.com · info@lutze.com

United Kingdom: LÜTZE Ltd.

Unit 3, Sandy Hill Park

Sandy Way, Amington · GB-Tamworth, Staffs B77 4DU

Tel. +44 (0)1827 31333-0 · Fax +44 (0)1827 31333-2

www.lutze.com · sales.gb@lutze.co.uk