

# Technical data sheet · Network cables PROFINET

Actuator sensor interface



|                       |          |   |
|-----------------------|----------|---|
| <b>Identification</b> | Type     | STG4-RJ45/STG4-RJ45/PN CAT5 PVC<br>1,5M |
|                       | Part-No. | 192016.0150                             |

|                    |   |
|--------------------|---|
| <b>Description</b> | Male RJ45 straight to female RJ45 straight with PVC cable, Cat 5<br>self-locking screwed connection |
|--------------------|---|

|                                    |                          |
|------------------------------------|--------------------------|
| <b>Technical data</b>              |                          |
| Number of conductors/cross-section | (2×2×AWG22/7)            |
| Form male 1                        | RJ45<br>Male<br>straight |
| Form male 2                        | RJ45<br>Male<br>straight |
| Pole number                        | 4                        |
| Category                           | Cat 5                    |
| Number of conductors               | 4                        |
| Outer Ø                            | 6.5 mm                   |
| Cable length                       | 1.5 m                    |
| Rated voltage $U_N$                | DC 50 V                  |
| Rated current                      | 1.5 A                    |
| Test voltage                       | 1000 V                   |

28.04.2017 – Subject to technical modification

Part-No. 192016.0150

USA: LUTZE INC.

13330 South Ridge Drive • Charlotte, NC 28273, USA  
Tel. +1 (704) 504-0222 • Fax +1 (704) 504-0223  
www.lutze.com • info@lutze.com

United Kingdom: LÜTZE Ltd.

Unit 3, Sandy Hill Park  
Sandy Way, Amington • GB-Tamworth, Staffs B77 4DU  
Tel. +44 (0)1827 31333-0 • Fax +44 (0)1827 31333-2  
www.lutze.com • sales.gb@lutze.co.uk



SYSTEMATIC TECHNOLOGY

## Technical data sheet · Network cables PROFINET

|                               |                       |
|-------------------------------|-----------------------|
| Insulation resistance         | >1000 M $\Omega$ × km |
| Contact resistance            | <20 m $\Omega$        |
| Protection class              | IP20                  |
| Shielding                     | 360°                  |
| Temperature range connector   | -40 °C ... 85 °C      |
| Temperature range fixed       | -30 °C ... +80 °C     |
| Temperature range moving      | +5 °C ... +70 °C      |
| Minimum bending radius fixed  | 6×D                   |
| Minimum bending radius moving | 12×D                  |

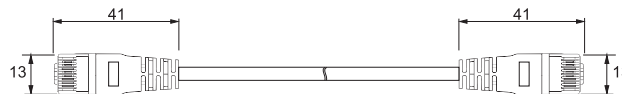
### Construction

|                                    |                |
|------------------------------------|----------------|
| Number of conductors/cross-section | (2×2×AWG22/7)  |
| Number of conductors               | 4              |
| Conductor color                    | various        |
| Conductor insulation               | TPE-O          |
| Jacket material                    | PVC            |
| Jacket color                       | green RAL 6018 |

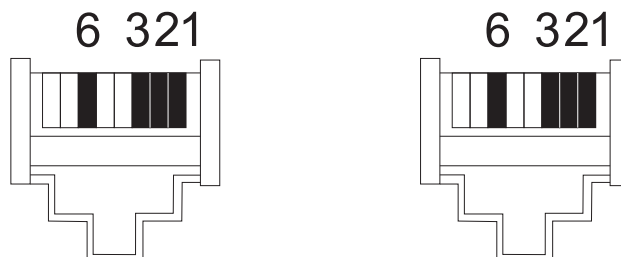
### General

|                       |                   |
|-----------------------|-------------------|
| Housing material      | PA                |
| Colour of the housing | black             |
| Contact material      | CuSn, gold-plated |
| Weight                | 0.117 kg/piece    |
| PU                    | 1 Quantity        |

### Dimensions



### PIN assignment



28.04.2017 – Subject to technical modification

Part-No. 192016.0150

USA: LUTZE INC.

13330 South Ridge Drive • Charlotte, NC 28273, USA

Tel. +1 (704) 504-0222 • Fax +1 (704) 504-0223

www.lutze.com • info@lutze.com

United Kingdom: LÜTZE Ltd.

Unit 3, Sandy Hill Park

Sandy Way, Amington • GB-Tamworth, Staffs B77 4DU

Tel. +44 (0)1827 31333-0 • Fax +44 (0)1827 31333-2

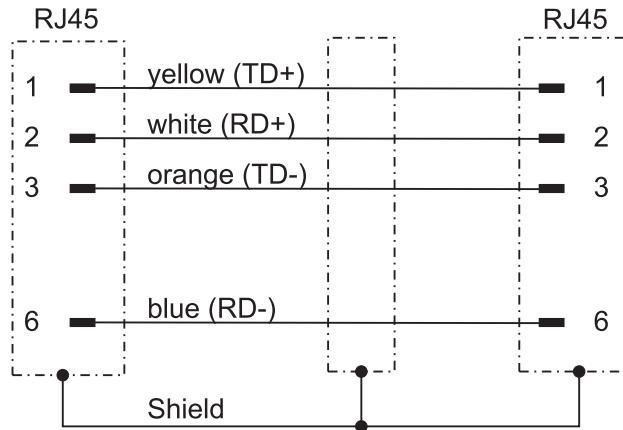
www.lutze.com • sales.gb@lutze.co.uk



SYSTEMATIC TECHNOLOGY

# Technical data sheet · Network cables PROFINET

## Circuit diagram



28.04.2017 – Subject to technical modification

Part-No. 192016.0150

USA: LUTZE INC.

13330 South Ridge Drive • Charlotte, NC 28273, USA

Tel. +1 (704) 504-0222 • Fax +1 (704) 504-0223

www.lutze.com • info@lutze.com

United Kingdom: LÜTZE Ltd.

Unit 3, Sandy Hill Park

Sandy Way, Amington • GB-Tamworth, Staffs B77 4DU

Tel. +44 (0)1827 31333-0 • Fax +44 (0)1827 31333-2

www.lutze.com • sales.gb@lutze.co.uk



SYSTEMATIC TECHNOLOGY