

Cable clip



|  |   |                   |
|--|---|-------------------|
| <b>Identification</b>                  | Type  | Kabelschelle KS 2 |
|  | Part-No.  | 331002.0010       |
|  | Cable clip  |                   |
| <b>Use/Application/Characteristics</b> |   |                   |
| Application                            | • as clamping option                                |                   |
| <b>Technical data</b>                  |   |                   |
| Thread                                 | M6  |                   |
| For cable diameter                     | 16 – 22   |                   |
| weight approx.                         | 3.50 kg/100 piece                                   |                   |
| <b>General</b>                         |   |                   |
| Hexagon screw                          | slotted   |                   |
| Material                               | galvanised steel                                    |                   |
| Color                                  | galvanised  |                   |
| Operation temperature range            | 0 °C – + 60 °C                                      |                   |
| PU                                     | 10  |                   |
| <b>Comments</b>                        | Sold only with counter-shell, polypropylene plastic |                   |
| <b>Note</b>                            | incl. pressure and counter trough                   |                   |
| <b>Accessories</b>                     |   |                   |

29.04.2017 – Subject to technical modification

Part-No. 331002.0010

USA: LUTZE INC.

13330 South Ridge Drive · Charlotte, NC 28273, USA  
 Tel. +1 (704) 504-0222 · Fax +1 (704) 504-0223  
 www.lutze.com · info@lutze.com

United Kingdom: LÜTZE Ltd.

Unit 3, Sandy Hill Park  
 Sandy Way, Amington · GB-Tamworth, Staffs B77 4DU  
 Tel. +44 (0)1827 31333-0 · Fax +44 (0)1827 31333-2  
 www.lutze.com · sales.gb@lutze.co.uk



SYSTEMATIC TECHNOLOGY

## Technical data sheet · EMC accessories

### Accessories

can be used on Lütze rails  
can be used on Lütze rails  
can be used on Lütze rails

### Article number

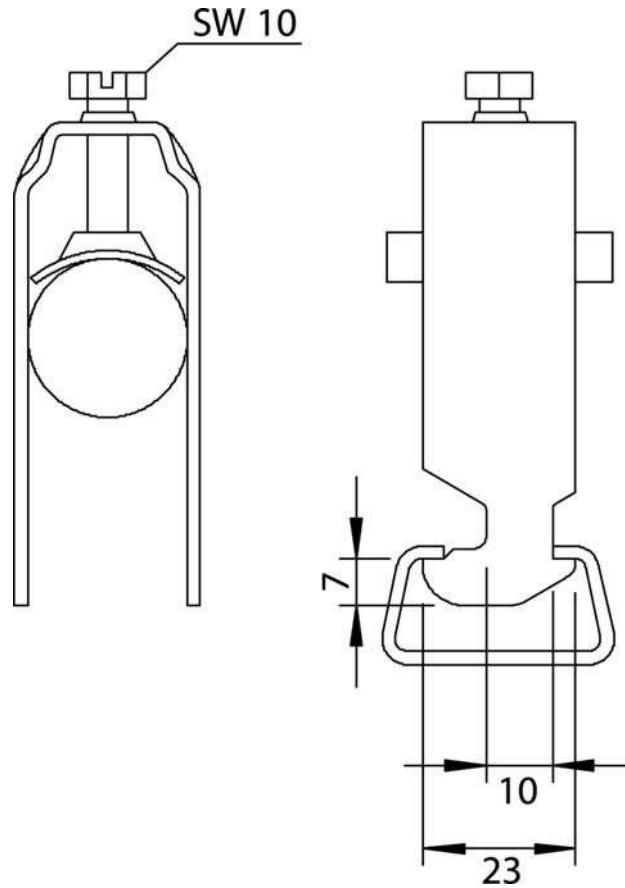
345812  
345813  
333156

### Type

EMVS 03  
EMVS 04  
C rail

### PU

### Dimensions



29.04.2017 – Subject to technical modification

Part-No. 331002.0010

USA: LUTZE INC.

13330 South Ridge Drive · Charlotte, NC 28273, USA  
Tel. +1 (704) 504-0222 · Fax +1 (704) 504-0223  
www.lutze.com · info@lutze.com

United Kingdom: LÜTZE Ltd.

Unit 3, Sandy Hill Park  
Sandy Way, Amington · GB-Tamworth, Staffs B77 4DU  
Tel. +44 (0)1827 31333-0 · Fax +44 (0)1827 31333-2  
www.lutze.com · sales.gb@lutze.co.uk