

Cable clip



Identification	Type	Kabelschelle KS 4
	Part-No.	331004.0010
	Cable clip	
Use/Application/Characteristics		
Application	• as clamping option	
Technical data		
Thread	M8	
For cable diameter	52 – 58	
weight approx.	6.00 kg/100 piece	
General		
Hexagon screw	slotted	
Material	galvanised steel	
Color	galvanised	
Operation temperature range	0 °C – + 60 °C	
PU	10	
Comments	Sold only with counter-shell, polypropylene plastic	
Note	incl. pressure and counter trough	
Accessories		

29.04.2017 – Subject to technical modification

Part-No. 331004.0010

USA: LUTZE INC.

13330 South Ridge Drive • Charlotte, NC 28273, USA
 Tel. +1 (704) 504-0222 • Fax +1 (704) 504-0223
 www.lutze.com • info@lutze.com

United Kingdom: LÜTZE Ltd.

Unit 3, Sandy Hill Park
 Sandy Way, Amington • GB-Tamworth, Staffs B77 4DU
 Tel. +44 (0)1827 31333-0 • Fax +44 (0)1827 31333-2
 www.lutze.com • sales.gb@lutze.co.uk



SYSTEMATIC TECHNOLOGY

Technical data sheet · EMC accessories

Accessories

can be used on Lütze rails
can be used on Lütze rails
can be used on Lütze rails

Article number

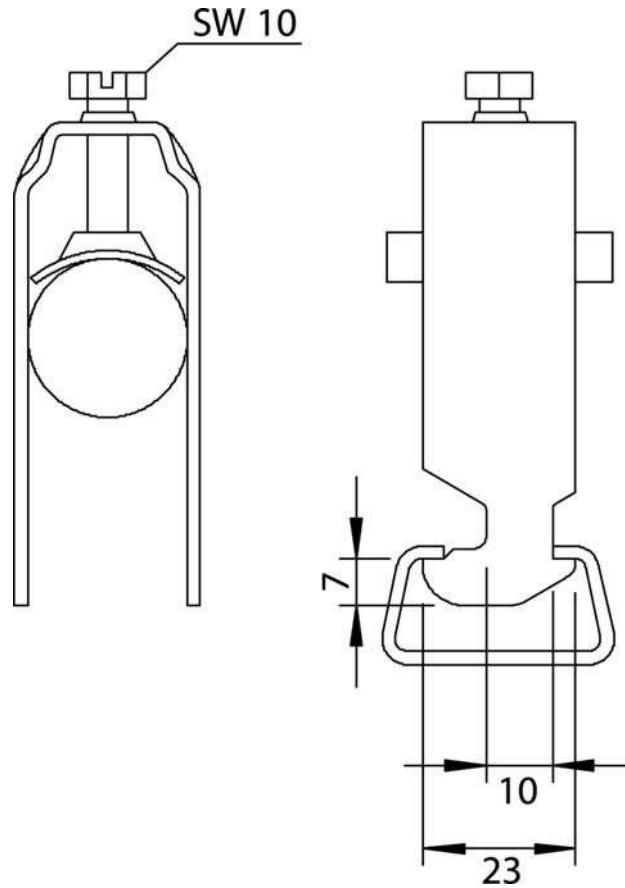
345812
345813
333156

Type

EMVS 03
EMVS 04
C rail

PU

Dimensions



29.04.2017 – Subject to technical modification

Part-No. 331004.0010

USA: LUTZE INC.

13330 South Ridge Drive · Charlotte, NC 28273, USA
Tel. +1 (704) 504-0222 · Fax +1 (704) 504-0223
www.lutze.com · info@lutze.com

United Kingdom: LÜTZE Ltd.

Unit 3, Sandy Hill Park
Sandy Way, Amington · GB-Tamworth, Staffs B77 4DU
Tel. +44 (0)1827 31333-0 · Fax +44 (0)1827 31333-2
www.lutze.com · sales.gb@lutze.co.uk