

Technical data sheet - Actuator sensor interface

M8 / M8 – cables



| | | |
|----------------------------|--|--------------------------|
| Identification | Type | STG4-M8/KUW4-M8 0,6M PUR |
| | Part-No. | 411006 |
| Description | Male M8 straight to female M8 angled with PUR cable self-locking screwed connection c-track compatible, halogen free | |
| Technical data | | |
| Rated voltage U_N | AC/DC 24 V | |
| Rated voltage min. | DC 30 V | |
| Rated voltage max. | 60 V | |
| Rated current | 4 A | |
| Pole number | 4 | |
| Cable length | 0.6 m | |
| General | | |
| Form male 1 | M 8 Male straight | |
| Form male 2 | M 8 Female angle connector | |
| Nominal insulation voltage | 100 V | |

29.04.2017 – Subject to technical modification

Part-No. 411006

USA: LUTZE INC.

13330 South Ridge Drive • Charlotte, NC 28273, USA
Tel. +1 (704) 504-0222 • Fax +1 (704) 504-0223
www.lutze.com • info@lutze.com

United Kingdom: LÜTZE Ltd.

Unit 3, Sandy Hill Park
Sandy Way, Amington • GB-Tamworth, Staffs B77 4DU
Tel. +44 (0)1827 31333-0 • Fax +44 (0)1827 31333-2
www.lutze.com • sales.gb@lutze.co.uk



SYSTEMATIC TECHNOLOGY

Technical data sheet - Actuator sensor interface

| | |
|------------------------------------|-------------------------------------|
| Test voltage | 1500 V |
| Degree of pollution | 3 |
| Insulation resistance | > 1000 MΩ × km |
| Contact resistance | < 5 mΩ |
| Flamability according to UL 94 | V0 |
| Protection class | IP65/67/68 |
| Housing material | TPU |
| Colour of the housing | black |
| Contact material | CuSn, gold-plated |
| Thread material | Zinc die-casting, nickel-plated |
| Material sealing ring | NBR |
| Mounting | Breakaway torque 0.2 Nm |
| Number of conductors/cross-section | 4 × 0.25 mm ² (32 × 0.1) |
| Number of conductors | 4 |
| Jacket material | PUR |
| Jacket color | black |
| Conductor insulation | PP |
| Outer Ø | 4.4 mm |
| Bending radius | 10 × D |
| Minimum bending radius moving | 10×D |
| Storage temperature range | -30 °C ... +90 °C |
| Temperature range connector | -25 °C ... +90 °C |
| Temperature range fixed | -40 °C ... +80 °C |
| Temperature range moving | -25 °C ... +80 °C |
| Weight | 0.060 kg/piece |
| Approvals | cULus |
| PU | 1 Quantity |

C-track chain properties

| | |
|------------------------------------|--|
| | Type B |
| Conduction properties (TYPE A+B+C) | PUR halogen free for extreme demands <ul style="list-style-type: none">• Very good chemical stability• Very resistant to oils and lubricants• Very high abrasion resistance• Halogen free• Silicone free, free of paint wetting impairment substances• Resistant to microbes and hydrolysis• Good UV stability |

29.04.2017 – Subject to technical modification

Part-No. 411006

USA: LUTZE INC.

13330 South Ridge Drive • Charlotte, NC 28273, USA

Tel. +1 (704) 504-0222 • Fax +1 (704) 504-0223

www.lutze.com • info@lutze.com

United Kingdom: LÜTZE Ltd.

Unit 3, Sandy Hill Park

Sandy Way, Amington • GB-Tamworth, Staffs B77 4DU

Tel. +44 (0)1827 31333-0 • Fax +44 (0)1827 31333-2

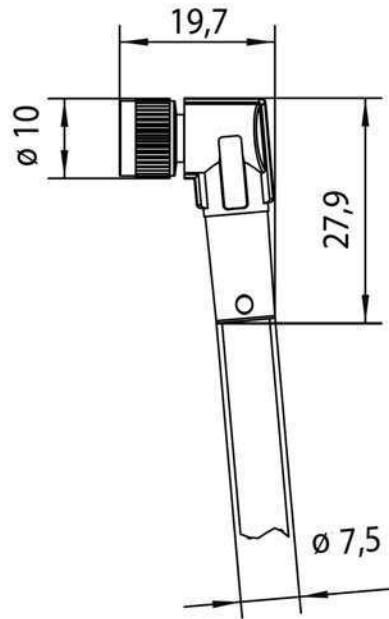
www.lutze.com • sales.gb@lutze.co.uk



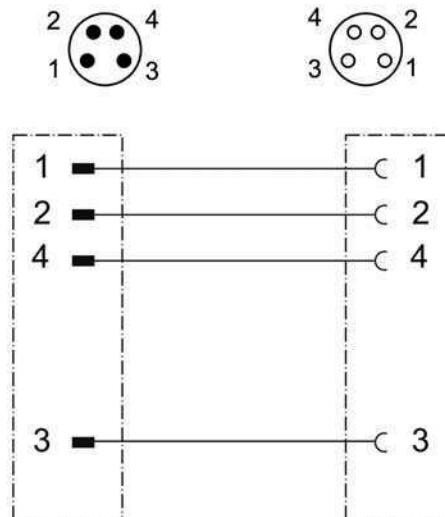
SYSTEMATIC TECHNOLOGY

Technical data sheet · Actuator sensor interface

Dimensions



PIN assignment



29.04.2017 – Subject to technical modification

Part-No. 411006

USA: LUTZE INC.

13330 South Ridge Drive · Charlotte, NC 28273, USA

Tel. +1 (704) 504-0222 · Fax +1 (704) 504-0223

www.lutze.com · info@lutze.com

United Kingdom: LÜTZE Ltd.

Unit 3, Sandy Hill Park

Sandy Way, Amington · GB-Tamworth, Staffs B77 4DU

Tel. +44 (0)1827 31333-0 · Fax +44 (0)1827 31333-2

www.lutze.com · sales.gb@lutze.co.uk

Symbols



| Accessories | Part No. | Type | PU |
|-------------------------|-----------------|-------------|-----------|
| Torque setting tool M 8 | 490090 | DM-SET M8 | 1 |

29.04.2017 – Subject to technical modification

Part-No. 411006

USA: LUTZE INC.

13330 South Ridge Drive • Charlotte, NC 28273, USA
Tel. +1 (704) 504-0222 • Fax +1 (704) 504-0223
www.lutze.com • info@lutze.com

United Kingdom: LÜTZE Ltd.

Unit 3, Sandy Hill Park
Sandy Way, Amington • GB-Tamworth, Staffs B77 4DU
Tel. +44 (0)1827 31333-0 • Fax +44 (0)1827 31333-2
www.lutze.com • sales.gb@lutze.co.uk



SYSTEMATIC TECHNOLOGY