



<b>Identification</b>	Type	STG3-M12/KUW3-M8 1,0M PUR
	Part-No.	427010

<b>Technical data</b>	
Nominal voltage	AC/DC 24 V
Nominal voltage range	max. 60 V
Rated current	3 A
Number of terminations	3
Cable length	1.0 m
Coding	A (M12)

<b>General</b>	
Form	M12 × 1, male straight / M8 × 1, female angled
Rated insulation voltage (EN 50178)	100 V
Test voltage	1.5 kV
Pollution degree	3
Insulation resistance	>10 <sup>9</sup> Ω
Contact resistance	<5 mΩ
Class of flammability according to UL 94	V0
Protection class	IP 67, in screwed condition
Housing material	TPU black
Contact material	CuSn, gold plated nickel
Thread material	CuSn nickel plated

03.10.2009 – Subject to technical modification

Part-No. 427010

USA: LUTZE INC.

13330 South Ridge Drive • Charlotte, NC 28273, USA  
 Tel. +1 (704) 504-0222 • Fax +1 (704) 504-0223  
 www.lutze.com • info@lutze.com

United Kingdom: LÜTZE Ltd.

Unit 3, Sandy Hill Park  
 Sandy Way, Amington • GB-Tamworth, Staffs B77 4DU  
 Tel. +44 (0)1827 31333-0 • Fax +44 (0)1827 31333-2  
 www.lutze.com • sales.gb@lutze.co.uk

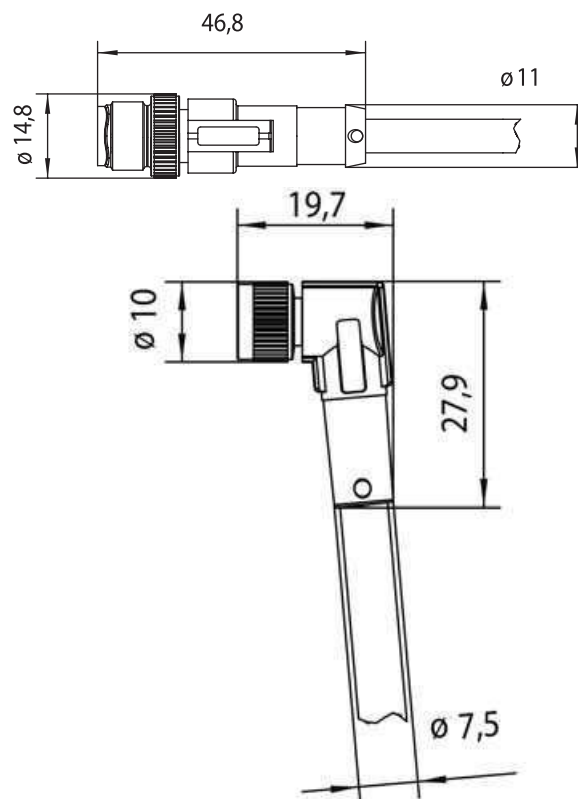


**Systematic Technology**

## Technical data sheet • Actuator sensor interface

Gasket	NBR
Cable construction	3 × 0.25 mm <sup>2</sup> (32 × 0.1)
Cable jacket	PUR, RAL 9001 black
Conductor insulation	PVC coloured
Cable diameter	4.4 mm
Bending radius	15 x cable diameter
Storage temperature range	-30 °C–90 °C
Temperature range connector	-25 °C – 90 °C
Temperature range cable fixed	-25 °C–80 °C
Temperature range cable moving	-5 °C–80 °C
Weight (kg/piece)	0.040
Approvals	cULus
PU	10

### Dimensions



03.10.2009 – Subject to technical modification

Part-No. 427010

USA: LUTZE INC.

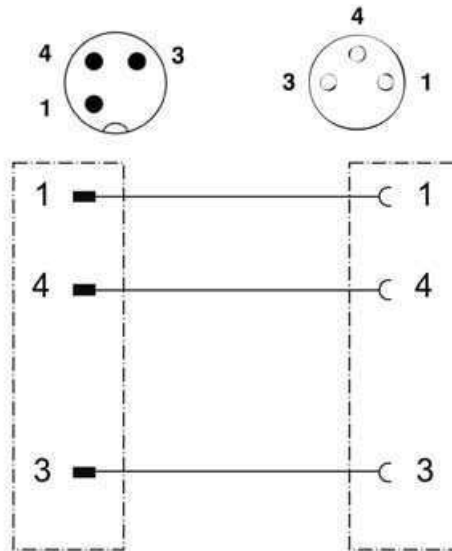
13330 South Ridge Drive • Charlotte, NC 28273, USA  
Tel. +1 (704) 504-0222 • Fax +1 (704) 504-0223  
www.lutze.com • info@lutze.com

United Kingdom: LÜTZE Ltd.

Unit 3, Sandy Hill Park  
Sandy Way, Amington • GB-Tamworth, Staffs B77 4DU  
Tel. +44 (0)1827 31333-0 • Fax +44 (0)1827 31333-2  
www.lutze.com • sales.gb@lutze.co.uk

# Technical data sheet • Actuator sensor interface

## PIN assignment



Logo



03.10.2009 – Subject to technical modification

Part-No. 427010

USA: LUTZE INC.

13330 South Ridge Drive • Charlotte, NC 28273, USA  
Tel. +1 (704) 504-0222 • Fax +1 (704) 504-0223  
www.lutze.com • info@lutze.com

United Kingdom: LÜTZE Ltd.

Unit 3, Sandy Hill Park  
Sandy Way, Amington • GB-Tamworth, Staffs B77 4DU  
Tel. +44 (0)1827 31333-0 • Fax +44 (0)1827 31333-2  
www.lutze.com • sales.gb@lutze.co.uk