



| | | |
|-----------------------|----------|---------------------------|
| Identification | Type | STG3-M12/KUW3-M8 5,0M PUR |
| | Part-No. | 427050 |

| | |
|------------------------|------------|
| Technical data | |
| Nominal voltage | AC/DC 24 V |
| Nominal voltage range | max. 60 V |
| Rated current | 3 A |
| Number of terminations | 3 |
| Cable length | 5.0 m |
| Coding | A (M12) |

| | |
|--|--|
| General | |
| Form | M12 × 1, male straight / M8 × 1, female angled |
| Rated insulation voltage (EN 50178) | 100 V |
| Test voltage | 1.5 kV |
| Pollution degree | 3 |
| Insulation resistance | >10 ⁹ Ω |
| Contact resistance | <5 mΩ |
| Class of flammability according to UL 94 | V0 |
| Protection class | IP 67, in screwed condition |
| Housing material | TPU black |
| Contact material | CuSn, gold plated nickel |
| Thread material | CuSn nickel plated |

03.10.2009 – Subject to technical modification

Part-No. 427050

USA: LUTZE INC.

13330 South Ridge Drive • Charlotte, NC 28273, USA
 Tel. +1 (704) 504-0222 • Fax +1 (704) 504-0223
 www.lutze.com • info@lutze.com

United Kingdom: LÜTZE Ltd.

Unit 3, Sandy Hill Park
 Sandy Way, Amington • GB-Tamworth, Staffs B77 4DU
 Tel. +44 (0)1827 31333-0 • Fax +44 (0)1827 31333-2
 www.lutze.com • sales.gb@lutze.co.uk

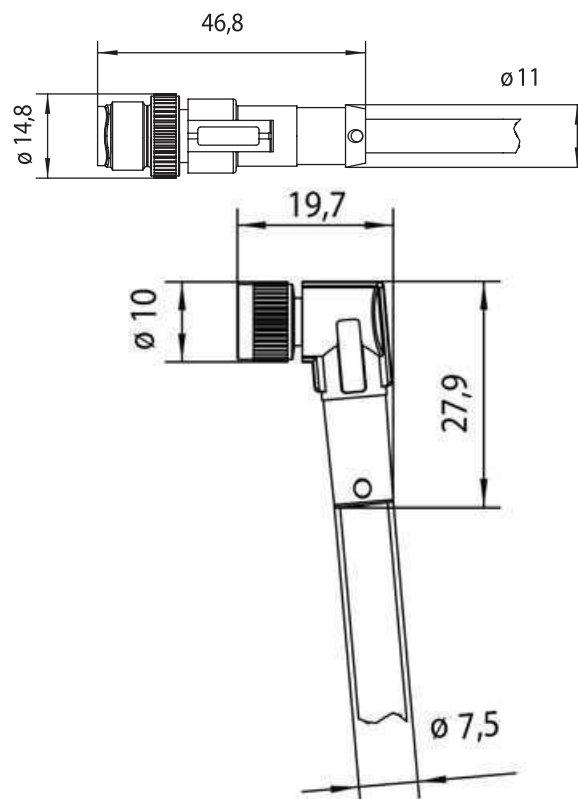


Systematic Technology

Technical data sheet • Actuator sensor interface

| | |
|--------------------------------|-------------------------------------|
| Gasket | NBR |
| Cable construction | 3 × 0.25 mm ² (32 × 0.1) |
| Cable jacket | PUR, RAL 9001 black |
| Conductor insulation | PVC coloured |
| Cable diameter | 4.4 mm |
| Bending radius | 15 x cable diameter |
| Storage temperature range | -30 °C–90 °C |
| Temperature range connector | -25 °C – 90 °C |
| Temperature range cable fixed | -25 °C–80 °C |
| Temperature range cable moving | -5 °C–80 °C |
| Weight (kg/piece) | 0.160 |
| Approvals | cULus |
| PU | 10 |

Dimensions



03.10.2009 – Subject to technical modification

Part-No. 427050

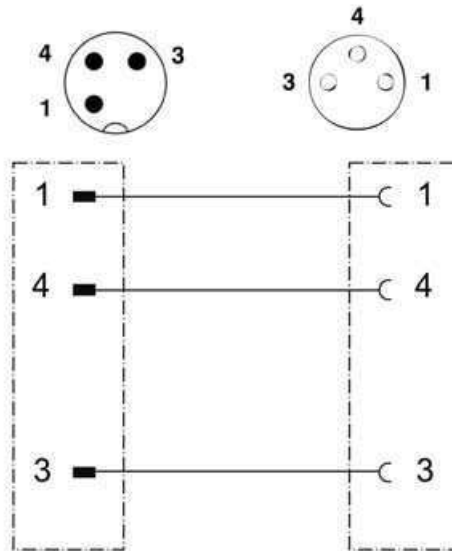
USA: LUTZE INC.

13330 South Ridge Drive • Charlotte, NC 28273, USA
Tel. +1 (704) 504-0222 • Fax +1 (704) 504-0223
www.lutze.com • info@lutze.com

United Kingdom: LÜTZE Ltd.

Unit 3, Sandy Hill Park
Sandy Way, Amington • GB-Tamworth, Staffs B77 4DU
Tel. +44 (0)1827 31333-0 • Fax +44 (0)1827 31333-2
www.lutze.com • sales.gb@lutze.co.uk

PIN assignment



Logo



03.10.2009 – Subject to technical modification

Part-No. 427050

USA: LUTZE INC.

13330 South Ridge Drive • Charlotte, NC 28273, USA

Tel. +1 (704) 504-0222 • Fax +1 (704) 504-0223

www.lutze.com • info@lutze.com

United Kingdom: LÜTZE Ltd.

Unit 3, Sandy Hill Park

Sandy Way, Amington • GB-Tamworth, Staffs B77 4DU

Tel. +44 (0)1827 31333-0 • Fax +44 (0)1827 31333-2

www.lutze.com • sales.gb@lutze.co.uk



Systematic Technology