



|                       |          |                 |
|-----------------------|----------|-----------------|
| <b>Identification</b> | Type     | KUW5-M12 5M PUR |
|                       | Part-No. | 443050          |

|                    |                                                                                                                   |
|--------------------|-------------------------------------------------------------------------------------------------------------------|
| <b>Description</b> | Female M12 angled with PUR cable, open end<br>self-locking screwed connection<br>c-track compatible, halogen free |
|--------------------|-------------------------------------------------------------------------------------------------------------------|

|                       |            |
|-----------------------|------------|
| <b>Technical data</b> |            |
| Rated voltage $U_N$   | AC/DC 24 V |
| Rated voltage max.    | 60 V       |
| Rated current         | 4 A        |
| Pole number           | 5          |
| Cable length          | 5.0 m      |
| Coding                | A          |

|                            |                                   |
|----------------------------|-----------------------------------|
| <b>General</b>             |                                   |
| Form male 1                | M 12<br>Female<br>angle connector |
| Form male 2                | Line end open                     |
| Nominal insulation voltage | 63 V                              |
| Test voltage               | 1500 V                            |
| Degree of pollution        | 3                                 |

29.04.2017 – Subject to technical modification

Part-No. 443050

USA: LUTZE INC.

13330 South Ridge Drive • Charlotte, NC 28273, USA  
Tel. +1 (704) 504-0222 • Fax +1 (704) 504-0223  
www.lutze.com • info@lutze.com

United Kingdom: LÜTZE Ltd.

Unit 3, Sandy Hill Park  
Sandy Way, Amington • GB-Tamworth, Staffs B77 4DU  
Tel. +44 (0)1827 31333-0 • Fax +44 (0)1827 31333-2  
www.lutze.com • sales.gb@lutze.co.uk



## Technical data sheet - Actuator sensor interface

---

|                                    |                                     |
|------------------------------------|-------------------------------------|
| Insulation resistance              | > 1000 MΩ × km                      |
| Contact resistance                 | < 5 mΩ                              |
| Flamability according to UL 94     | V0                                  |
| Protection class                   | IP65/67/68                          |
| Housing material                   | TPU                                 |
| Colour of the housing              | black                               |
| Contact material                   | CuSn, gold-plated                   |
| Thread material                    | Zinc die-casting, nickel-plated     |
| Material sealing ring              | NBR                                 |
| Mounting                           | Breakaway torque 0.4 Nm             |
| Number of conductors/cross-section | 5 × 0.34 mm <sup>2</sup> (42 × 0.1) |
| Number of conductors               | 5                                   |
| Conductor color                    | various                             |
| Jacket material                    | PUR                                 |
| Jacket color                       | black                               |
| Conductor insulation               | PP                                  |
| Outer Ø                            | 5.0 mm                              |
| Bending radius                     | 10 × D                              |
| Minimum bending radius moving      | 10×D                                |
| Storage temperature range          | -30 °C ... +90 °C                   |
| Temperature range connector        | -25 °C ... +90 °C                   |
| Temperature range fixed            | -40 °C ... +80 °C                   |
| Temperature range moving           | -25 °C ... +80 °C                   |
| Weight                             | 0.250 kg/piece                      |
| Approvals                          | cULus                               |
| PU                                 | 1 Quantity                          |

---

### C-track chain properties

|                                    |                                                                                                                                                                                                                                                                                                                                                                                    |
|------------------------------------|------------------------------------------------------------------------------------------------------------------------------------------------------------------------------------------------------------------------------------------------------------------------------------------------------------------------------------------------------------------------------------|
|                                    | Type B                                                                                                                                                                                                                                                                                                                                                                             |
| Conduction properties (TYPE A+B+C) | PUR halogen free for extreme demands <ul style="list-style-type: none"><li>• Very good chemical stability</li><li>• Very resistant to oils and lubricants</li><li>• Very high abrasion resistance</li><li>• Halogen free</li><li>• Silicone free, free of paint wetting impairment substances</li><li>• Resistant to microbes and hydrolysis</li><li>• Good UV stability</li></ul> |

29.04.2017 – Subject to technical modification

Part-No. 443050

USA: LUTZE INC.

13330 South Ridge Drive • Charlotte, NC 28273, USA

Tel. +1 (704) 504-0222 • Fax +1 (704) 504-0223

www.lutze.com • info@lutze.com

United Kingdom: LÜTZE Ltd.

Unit 3, Sandy Hill Park

Sandy Way, Amington • GB-Tamworth, Staffs B77 4DU

Tel. +44 (0)1827 31333-0 • Fax +44 (0)1827 31333-2

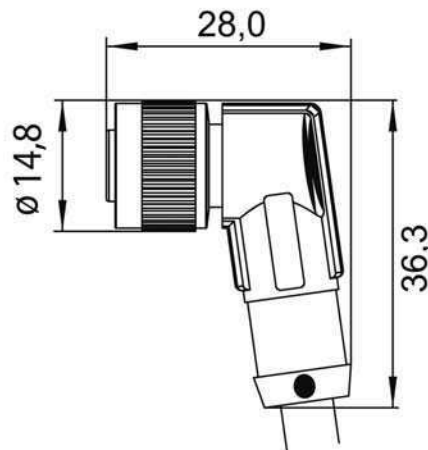
www.lutze.com • sales.gb@lutze.co.uk



SYSTEMATIC TECHNOLOGY

# Technical data sheet · Actuator sensor interface

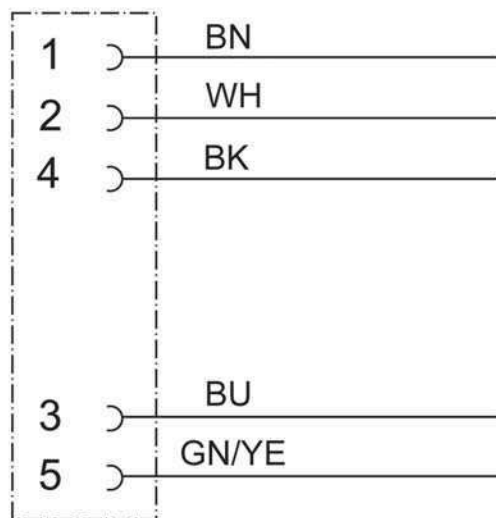
## Dimensions



## PIN assignment



## Circuit diagram



29.04.2017 – Subject to technical modification

Part-No. 443050

USA: LUTZE INC.

13330 South Ridge Drive · Charlotte, NC 28273, USA

Tel. +1 (704) 504-0222 · Fax +1 (704) 504-0223

www.lutze.com · info@lutze.com

United Kingdom: LÜTZE Ltd.

Unit 3, Sandy Hill Park

Sandy Way, Amington · GB-Tamworth, Staffs B77 4DU

Tel. +44 (0)1827 31333-0 · Fax +44 (0)1827 31333-2

www.lutze.com · sales.gb@lutze.co.uk



SYSTEMATIC TECHNOLOGY

**Symbols**



---

| <b>Accessories</b>       | <b>Part No.</b> | <b>Type</b> | <b>PU</b> |
|--------------------------|-----------------|-------------|-----------|
| Torque setting tool M 12 | 490091          | DM-SET M12  | 1         |

29.04.2017 – Subject to technical modification

Part-No. 443050

USA: LUTZE INC.

13330 South Ridge Drive • Charlotte, NC 28273, USA  
Tel. +1 (704) 504-0222 • Fax +1 (704) 504-0223  
www.lutze.com • info@lutze.com

United Kingdom: LÜTZE Ltd.

Unit 3, Sandy Hill Park  
Sandy Way, Amington • GB-Tamworth, Staffs B77 4DU  
Tel. +44 (0)1827 31333-0 • Fax +44 (0)1827 31333-2  
www.lutze.com • sales.gb@lutze.co.uk



SYSTEMATIC TECHNOLOGY