



<b>Identification</b>	Type	STG2-M12/KUG2-M12/PB 1,5M-PUR
	Part-No.	475515

<b>Description</b>	Male-female M12 straight with PUR cable, shielded 360° self-locking screwed connection c-track compatible, halogen free
--------------------	---

<b>Technical data</b>	
Rated voltage $U_N$	AC/DC 24 V
Rated voltage max.	30 V
Rated current	4 A
Pole number	2
Cable length	1.5 m
Coding	B
Shielding	360°

<b>General</b>	
Form male 1	M 12 Male straight
Form male 2	M 12 Female straight

29.04.2017 – Subject to technical modification

Part-No. 475515

USA: LUTZE INC.

13330 South Ridge Drive • Charlotte, NC 28273, USA  
Tel. +1 (704) 504-0222 • Fax +1 (704) 504-0223  
www.lutze.com • info@lutze.com

United Kingdom: LÜTZE Ltd.

Unit 3, Sandy Hill Park  
Sandy Way, Amington • GB-Tamworth, Staffs B77 4DU  
Tel. +44 (0)1827 31333-0 • Fax +44 (0)1827 31333-2  
www.lutze.com • sales.gb@lutze.co.uk



## Technical data sheet - Actuator sensor interface

---

Nominal insulation voltage	60 V
Test voltage	1500 V
Degree of pollution	3
Insulation resistance	> 1000 MΩ × km
Contact resistance	< 5 mΩ
Flamability according to UL 94	V0
Protection class	IP65/67
Housing material	TPU
Colour of the housing	black
Contact material	CuSn, gold-plated
Thread material	Zinc die-casting, nickel-plated
Material sealing ring	NBR
Mounting	Breakaway torque 0.4 Nm
Number of conductors/cross-section	1 × 2 × 0.64 mm / AWG 24/19
Number of conductors	2
Conductor color	red, green
Jacket material	PUR
Jacket color	violet RAL 4001
Conductor insulation	PP
Outer Ø	7.8 mm
Bending radius	10 × D
Minimum bending radius moving	10×D
Storage temperature range	-40 °C ... +90 °C
Temperature range connector	-25 °C ... +90 °C
Temperature range fixed	-40 °C ... +80 °C
Temperature range moving	-20 °C ... +80 °C
Weight	0.140 kg/piece
PU	1 Quantity

---

### C-track chain properties

Conduction properties (TYPE A+B+C)	Type A PUR halogen free for extreme demands <ul style="list-style-type: none"><li>• Very good chemical stability</li><li>• Very resistant to oils and lubricants</li><li>• Very high abrasion resistance</li><li>• Halogen free</li><li>• Silicone free, free of paint wetting impairment substances</li><li>• Resistant to microbes and hydrolysis</li><li>• Good UV stability</li></ul>
------------------------------------	--

29.04.2017 – Subject to technical modification

Part-No. 475515

USA: LUTZE INC.

13330 South Ridge Drive • Charlotte, NC 28273, USA  
Tel. +1 (704) 504-0222 • Fax +1 (704) 504-0223  
www.lutze.com • info@lutze.com

United Kingdom: LÜTZE Ltd.

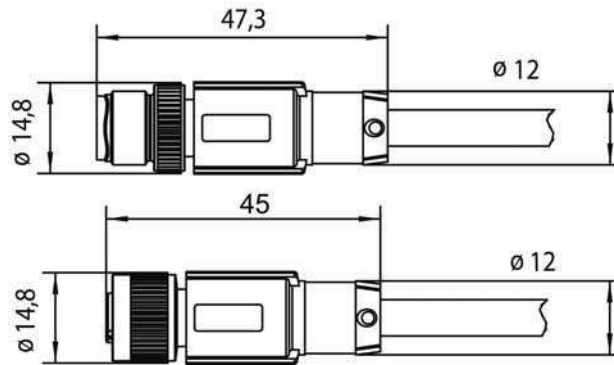
Unit 3, Sandy Hill Park  
Sandy Way, Amington • GB-Tamworth, Staffs B77 4DU  
Tel. +44 (0)1827 31333-0 • Fax +44 (0)1827 31333-2  
www.lutze.com • sales.gb@lutze.co.uk



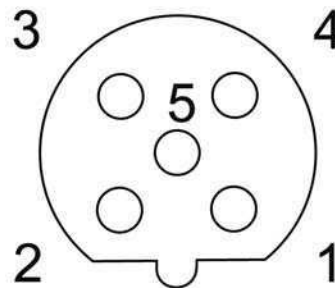
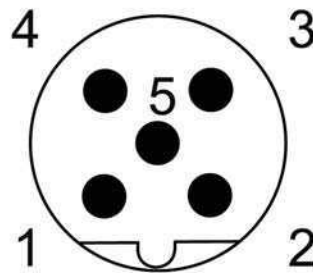
SYSTEMATIC TECHNOLOGY

# Technical data sheet · Actuator sensor interface

## Dimensions



## PIN assignment



29.04.2017 – Subject to technical modification

Part-No. 475515

USA: LUTZE INC.

13330 South Ridge Drive · Charlotte, NC 28273, USA

Tel. +1 (704) 504-0222 · Fax +1 (704) 504-0223

www.lutze.com · info@lutze.com

United Kingdom: LÜTZE Ltd.

Unit 3, Sandy Hill Park

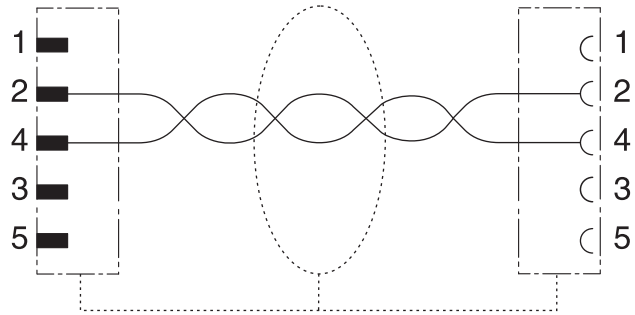
Sandy Way, Amington · GB-Tamworth, Staffs B77 4DU

Tel. +44 (0)1827 31333-0 · Fax +44 (0)1827 31333-2

www.lutze.com · sales.gb@lutze.co.uk

# Technical data sheet - Actuator sensor interface

## Circuit diagram



## Symbols



## Accessories

Torque setting tool M 12

## Part No.

490091

## Type

DM-SET M12

## PU

1

29.04.2017 – Subject to technical modification

Part-No. 475515

USA: LUTZE INC.

13330 South Ridge Drive • Charlotte, NC 28273, USA

Tel. +1 (704) 504-0222 • Fax +1 (704) 504-0223

www.lutze.com • info@lutze.com

United Kingdom: LÜTZE Ltd.

Unit 3, Sandy Hill Park

Sandy Way, Amington • GB-Tamworth, Staffs B77 4DU

Tel. +44 (0)1827 31333-0 • Fax +44 (0)1827 31333-2

www.lutze.com • sales.gb@lutze.co.uk