



<b>Identification</b>	Type	KUWK-M12 3POL SK
	Part-No.	490013

<b>Technical data</b>	
Nominal voltage	AC/DC 24 V
Nominal voltage range	250 V
Rated current	4 A
Number of terminations	3
Coding	A

<b>General</b>	
Form	M12 × 1, female angled
Rated insulation voltage (EN 50178)	2.5 kV
Test voltage	2.5 kV
Pollution degree	3
Insulation resistance	>10 <sup>10</sup> Ω
Contact resistance	<3 mΩ
Class of flammability according to UL 94	V0
Protection class	IP 67, in screwed condition
Housing material	PBT black
Contact material	CuZn, gold-plated
Thread material	CuSn nickel plated
Gasket	NBR

03.10.2009 – Subject to technical modification

Part-No. 490013

USA: LUTZE INC.

13330 South Ridge Drive • Charlotte, NC 28273, USA  
 Tel. +1 (704) 504-0222 • Fax +1 (704) 504-0223  
 www.lutze.com • info@lutze.com

United Kingdom: LÜTZE Ltd.

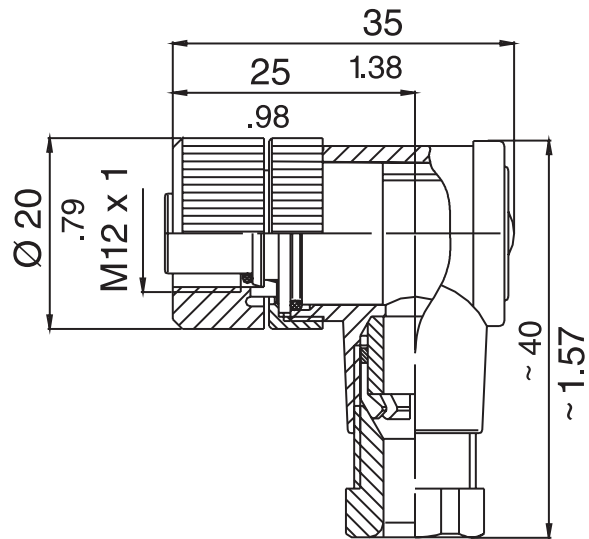
Unit 3, Sandy Hill Park  
 Sandy Way, Amington • GB-Tamworth, Staffs B77 4DU  
 Tel. +44 (0)1827 31333-0 • Fax +44 (0)1827 31333-2  
 www.lutze.com • sales.gb@lutze.co.uk



## Technical data sheet • Actuator sensor interface

Cable diameter	4 – 6 mm
Storage temperature range	-40 °C–90 °C
Temperature range connector	-25 °C – 85 °C
Mechanical service life	>100 insertion cycles
Gauge	max. 0.75
Weight (kg/piece)	0.040
Termination	Screw terminal
PU	0

### Dimensions



### PIN assignment



03.10.2009 – Subject to technical modification

Part-No. 490013

USA: LUTZE INC.

13330 South Ridge Drive • Charlotte, NC 28273, USA  
Tel. +1 (704) 504-0222 • Fax +1 (704) 504-0223  
www.lutze.com • info@lutze.com

United Kingdom: LÜTZE Ltd.

Unit 3, Sandy Hill Park  
Sandy Way, Amington • GB-Tamworth, Staffs B77 4DU  
Tel. +44 (0)1827 31333-0 • Fax +44 (0)1827 31333-2  
www.lutze.com • sales.gb@lutze.co.uk