



Identification	Type	STWK-M12 4POL. SK PG7
	Part-No.	490020

Description	Field wireable connector, M12 angled Male - A coded Screw terminal
--------------------	--

Technical data	
Nominal voltage	AC/DC 24 V
Nominal voltage range	250 V
Rated current	4 A
Pol number	4
Coding	A

General	
Form	M12 × 1, male, angled
Rated insulation voltage (EN 50178)	2.5 kV
Test voltage	2.95 kV
Pollution degree	3
Insulation resistance	$>10^{10}\Omega$
Contact resistance	$<3\text{ m}\Omega$
Class of flammability according to UL 94	V0

30.01.2017 – Subject to technical modification

Part-No. 490020

USA: LUTZE INC.

13330 South Ridge Drive • Charlotte, NC 28273, USA
Tel. +1 (704) 504-0222 • Fax +1 (704) 504-0223
www.lutze.com • info@lutze.com

United Kingdom: LÜTZE Ltd.

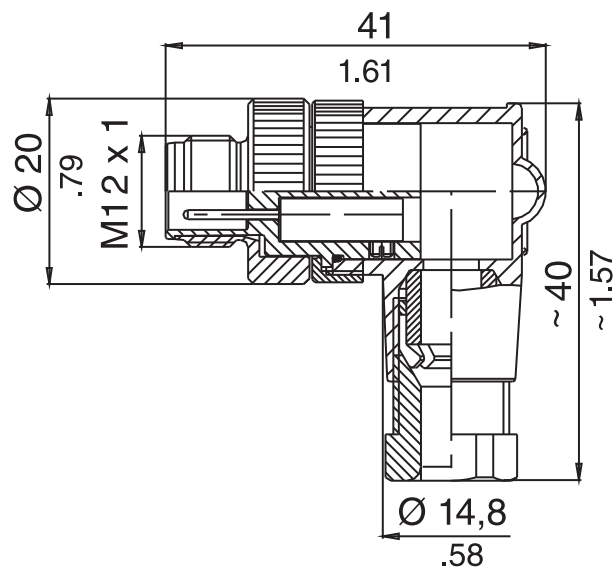
Unit 3, Sandy Hill Park
Sandy Way, Amington • GB-Tamworth, Staffs B77 4DU
Tel. +44 (0)1827 31333-0 • Fax +44 (0)1827 31333-2
www.lutze.com • sales.gb@lutze.co.uk



Technical data sheet - Actuator sensor interface

Protection class	IP 67, in screwed condition
Housing material	PBT black
Contact material	CuZn, gold-plated
Thread material	CuSn nickel plated
Cable diameter	4 – 6 mm
Storage temperature range	-40 °C ... 90 °C
Temperature range connector	-25 °C – 85 °C
Mechanical service life	>100 insertion cycles
Cross section	max. 0.75
Weight (kg/piece)	0.040
Termination	Screw terminal, max 0.75 mm ²
PU	1

Dimensions



30.01.2017 – Subject to technical modification

Part-No. 490020

USA: LUTZE INC.

13330 South Ridge Drive • Charlotte, NC 28273, USA

Tel. +1 (704) 504-0222 • Fax +1 (704) 504-0223

www.lutze.com • info@lutze.com

United Kingdom: LÜTZE Ltd.

Unit 3, Sandy Hill Park

Sandy Way, Amington • GB-Tamworth, Staffs B77 4DU

Tel. +44 (0)1827 31333-0 • Fax +44 (0)1827 31333-2

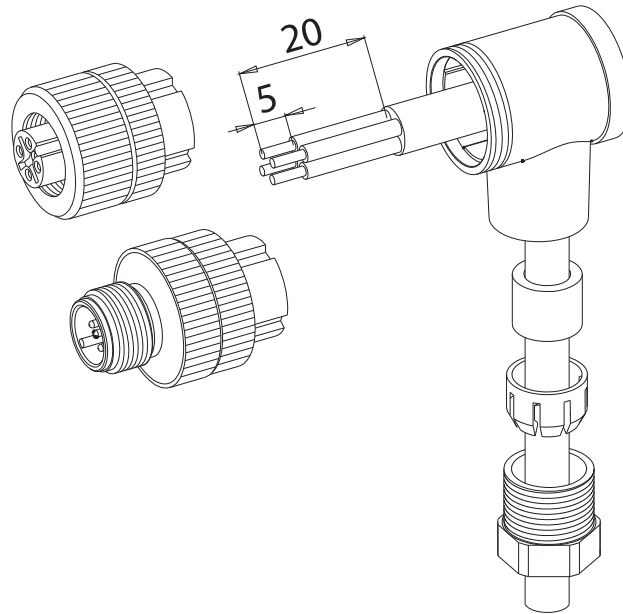
www.lutze.com • sales.gb@lutze.co.uk



SYSTEMATIC TECHNOLOGY

Technical data sheet · Actuator sensor interface

Mounting diagram



Pin layout



Accessories	Article number	Type	Outer jacket
matching cables	117243	3×0.34	PUR
	117244	4×0.34	PUR
	117245	5×0.34	PUR
	117246	5×0.34	PUR

30.01.2017 – Subject to technical modification

Part-No. 490020

USA: LUTZE INC.

13330 South Ridge Drive · Charlotte, NC 28273, USA

Tel. +1 (704) 504-0222 · Fax +1 (704) 504-0223

www.lutze.com · info@lutze.com

United Kingdom: LÜTZE Ltd.

Unit 3, Sandy Hill Park

Sandy Way, Amington · GB-Tamworth, Staffs B77 4DU

Tel. +44 (0)1827 31333-0 · Fax +44 (0)1827 31333-2

www.lutze.com · sales.gb@lutze.co.uk



SYSTEMATIC TECHNOLOGY