



<b>Identification</b>	Type	AST M 12/2×M 12
	Part-No.	490026
<b>Description</b>	T piece Male M12 to 2× female M12, 5pin PIN 2+4 bridged + PE	
<b>Technical data</b>		
Nominal voltage	AC/DC 24 V	
Nominal voltage range	DC 60V	
Rated current	4.0 A	
Pol number	5	
Coding	A	
<b>General</b>		
Form	M12 × 1 male / M12 × 1 female	
Rated insulation voltage (EN 50178)	60 V	
Test voltage	1.5 kV	
Pollution degree	3	
Insulation resistance	≥ 10 GΩ	
Contact resistance	≤ 5mΩ	
Class of flammability according to UL 94	HB	
Protection class	IP 65 / IP 67	

30.01.2017 – Subject to technical modification

Part-No. 490026

USA: LUTZE INC.

13330 South Ridge Drive • Charlotte, NC 28273, USA  
Tel. +1 (704) 504-0222 • Fax +1 (704) 504-0223  
www.lutze.com • info@lutze.com

United Kingdom: LÜTZE Ltd.

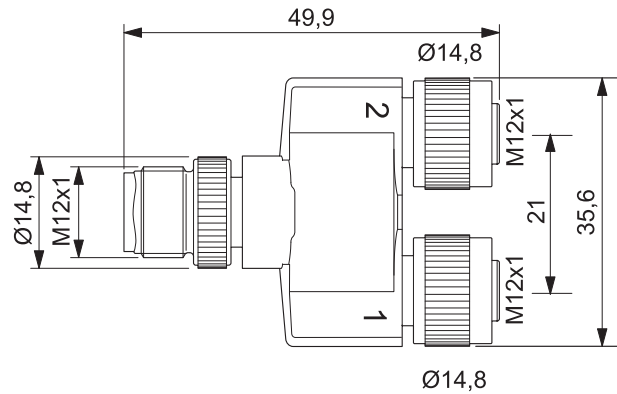
Unit 3, Sandy Hill Park  
Sandy Way, Amington • GB-Tamworth, Staffs B77 4DU  
Tel. +44 (0)1827 31333-0 • Fax +44 (0)1827 31333-2  
www.lutze.com • sales.gb@lutze.co.uk



## Technical data sheet - Actuator sensor interface

Housing material	TPU black
Contact material	CuZn, gold plated nickel
Thread material	Zinc die-casting, nickel-plated
Field installation	Torque max. 0,4 Nm
Sealing ring	NBR
Operation temperature range	-25 °C – 90 °C
Storage temperature range	-25 °C ... 90 °C
Temperature range connector	-25 °C – 90 °C
Mechanical service life	>100 insertion cycles
Weight (kg/piece)	0.029
PU	1

### Dimensions



30.01.2017 – Subject to technical modification

Part-No. 490026

USA: LUTZE INC.

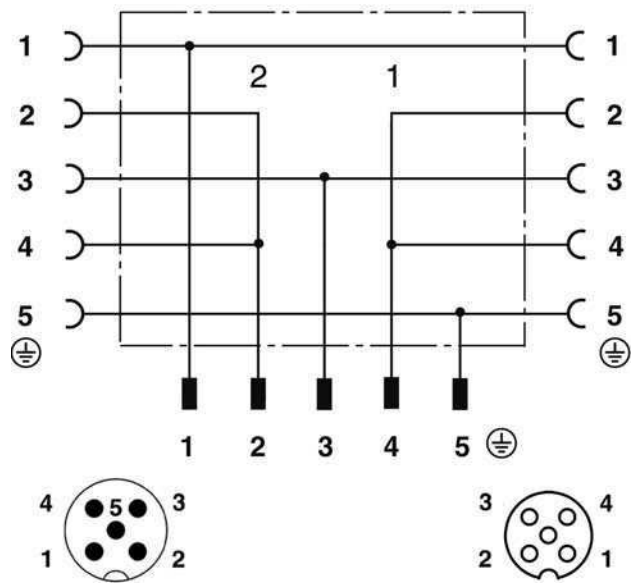
13330 South Ridge Drive • Charlotte, NC 28273, USA  
Tel. +1 (704) 504-0222 • Fax +1 (704) 504-0223  
www.lutze.com • info@lutze.com

United Kingdom: LÜTZE Ltd.

Unit 3, Sandy Hill Park  
Sandy Way, Amington • GB-Tamworth, Staffs B77 4DU  
Tel. +44 (0)1827 31333-0 • Fax +44 (0)1827 31333-2  
www.lutze.com • sales.gb@lutze.co.uk

# Technical data sheet · Actuator sensor interface

## PIN assignment



## Accessories

Accessories	Article number	Type	PU
Dynamometric key M12	490091	DM-SET M12	1

30.01.2017 – Subject to technical modification

Part-No. 490026

USA: LUTZE INC.

13330 South Ridge Drive · Charlotte, NC 28273, USA

Tel. +1 (704) 504-0222 · Fax +1 (704) 504-0223

www.lutze.com · info@lutze.com

United Kingdom: LÜTZE Ltd.

Unit 3, Sandy Hill Park

Sandy Way, Amington · GB-Tamworth, Staffs B77 4DU

Tel. +44 (0)1827 31333-0 · Fax +44 (0)1827 31333-2

www.lutze.com · sales.gb@lutze.co.uk



SYSTEMATIC TECHNOLOGY