



| | | |
|-----------------------|----------|-------------------|
| Identification | Type | STGK-M12 4POL.SNK |
| | Part-No. | 490028 |

| | |
|--------------------|--|
| Description | Field wireable connector, M12 straight Male / female - A coded Fast connection method, IDC method of termination |
|--------------------|--|

| | |
|-----------------------|------------|
| Technical data | |
| Nominal voltage | AC/DC 24 V |
| Nominal voltage range | 250 V |
| Rated current | 4 A |
| Pol number | 4 |
| Coding | A |

| | |
|--|--------------------|
| General | |
| Form | M12 × 1, male |
| Rated insulation voltage (EN 50178) | 300 V |
| Test voltage | 2.5 kV |
| Pollution degree | 3 |
| Insulation resistance | >10 ⁹ Ω |
| Contact resistance | <5 mΩ |
| Class of flammability according to UL 94 | V0 |

30.01.2017 – Subject to technical modification

Part-No. 490028

USA: LUTZE INC.

13330 South Ridge Drive • Charlotte, NC 28273, USA
Tel. +1 (704) 504-0222 • Fax +1 (704) 504-0223
www.lutze.com • info@lutze.com

United Kingdom: LÜTZE Ltd.

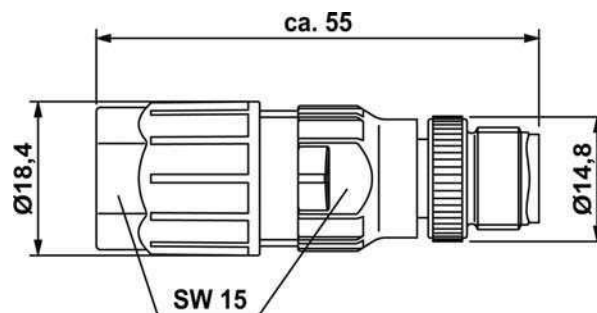
Unit 3, Sandy Hill Park
Sandy Way, Amington • GB-Tamworth, Staffs B77 4DU
Tel. +44 (0)1827 31333-0 • Fax +44 (0)1827 31333-2
www.lutze.com • sales.gb@lutze.co.uk



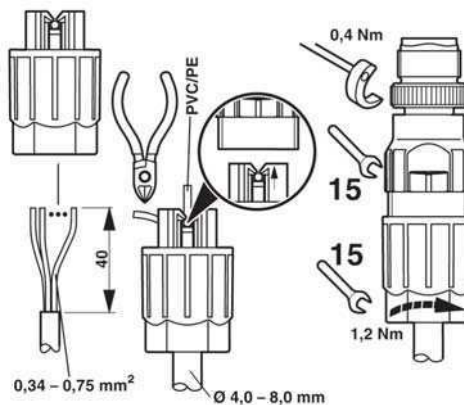
Technical data sheet - Actuator sensor interface

| | |
|-----------------------------|-----------------------------|
| Protection class | IP 67, in screwed condition |
| Housing material | PBT black |
| Contact material | CuZn, gold-plated |
| Thread material | CuSn nickel plated |
| Cable diameter | 4 – 7.5 mm |
| Storage temperature range | -40 °C ... 90 °C |
| Temperature range connector | -25 °C – 80 °C |
| Mechanical service life | >100 insertion cycles |
| Cross section | 0.34–0.75 mm ² |
| Weight (kg/piece) | 0.030 |
| Termination | IDC method of termination |
| PU | 1 |

Dimensions



Mounting diagram



Pin layout



30.01.2017 – Subject to technical modification

Part-No. 490028

USA: LUTZE INC.

13330 South Ridge Drive • Charlotte, NC 28273, USA

Tel. +1 (704) 504-0222 • Fax +1 (704) 504-0223

www.lutze.com • info@lutze.com

United Kingdom: LÜTZE Ltd.

Unit 3, Sandy Hill Park

Sandy Way, Amington • GB-Tamworth, Staffs B77 4DU

Tel. +44 (0)1827 31333-0 • Fax +44 (0)1827 31333-2

www.lutze.com • sales.gb@lutze.co.uk



SYSTEMATIC TECHNOLOGY

Technical data sheet - Actuator sensor interface

| Accessories | Article number | Type | Outer jacket |
|-----------------|----------------|--------|--------------|
| matching cables | 117243 | 3×0.34 | PUR |
| | 117244 | 4×0.34 | PUR |

30.01.2017 – Subject to technical modification

Part-No. 490028

USA: LUTZE INC.

13330 South Ridge Drive • Charlotte, NC 28273, USA
Tel. +1 (704) 504-0222 • Fax +1 (704) 504-0223
www.lutze.com • info@lutze.com

United Kingdom: LÜTZE Ltd.

Unit 3, Sandy Hill Park
Sandy Way, Amington • GB-Tamworth, Staffs B77 4DU
Tel. +44 (0)1827 31333-0 • Fax +44 (0)1827 31333-2
www.lutze.com • sales.gb@lutze.co.uk