



<b>Identification</b>	Type	KUGK-M12 4POL. SNK
	Part-No.	490029
<b>Description</b>	Field wireable connector, M12 straight Male / female - A coded Fast connection method, IDC method of termination	
<b>Technical data</b>	Nominal voltage AC/DC 24 V Nominal voltage range 250 V Rated current 4 A Pol number 4 Coding A	
<b>General</b>	Form M12 × 1, female Rated insulation voltage (EN 50178) 300 V Test voltage 2.5 kV Pollution degree 3 Insulation resistance >10 <sup>9</sup> Ω Contact resistance <5 mΩ Class of flammability according to UL 94 V0	

30.01.2017 – Subject to technical modification

Part-No. 490029

USA: LUTZE INC.

13330 South Ridge Drive • Charlotte, NC 28273, USA  
Tel. +1 (704) 504-0222 • Fax +1 (704) 504-0223  
www.lutze.com • info@lutze.com

United Kingdom: LÜTZE Ltd.

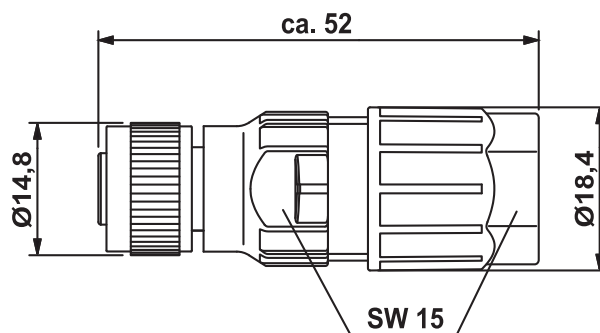
Unit 3, Sandy Hill Park  
Sandy Way, Amington • GB-Tamworth, Staffs B77 4DU  
Tel. +44 (0)1827 31333-0 • Fax +44 (0)1827 31333-2  
www.lutze.com • sales.gb@lutze.co.uk



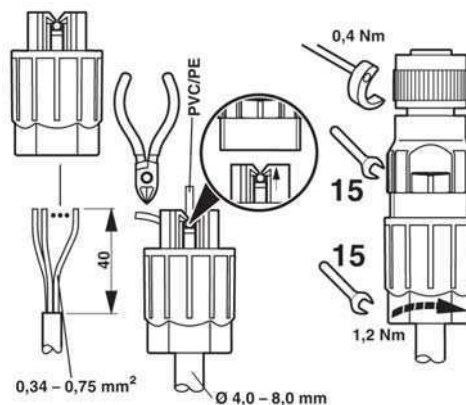
## Technical data sheet · Actuator sensor interface

Protection class	IP 67, in screwed condition
Housing material	PBT black
Contact material	CuZn, gold-plated
Thread material	CuSn nickel plated
Sealing ring	NBR
Cable diameter	4 – 7.5 mm
Storage temperature range	-40 °C ... 90 °C
Temperature range connector	-25 °C – 80 °C
Mechanical service life	>100 insertion cycles
Cross section	0.34–0.75 mm <sup>2</sup>
Weight (kg/piece)	0.030
Termination	IDC method of termination
PU	1

### Dimensions



### Mounting diagram



### Pin layout



30.01.2017 – Subject to technical modification

Part-No. 490029

USA: LUTZE INC.

13330 South Ridge Drive • Charlotte, NC 28273, USA

Tel. +1 (704) 504-0222 • Fax +1 (704) 504-0223

www.lutze.com • info@lutze.com

United Kingdom: LÜTZE Ltd.

Unit 3, Sandy Hill Park

Sandy Way, Amington • GB-Tamworth, Staffs B77 4DU

Tel. +44 (0)1827 31333-0 • Fax +44 (0)1827 31333-2

www.lutze.com • sales.gb@lutze.co.uk



SYSTEMATIC TECHNOLOGY

## Technical data sheet - Actuator sensor interface

---

Accessories	Article number	Type	Outer jacket
matching cables	117243	3×0.34	PUR
	117244	4×0.34	PUR

30.01.2017 – Subject to technical modification

Part-No. 490029

USA: LUTZE INC.

13330 South Ridge Drive • Charlotte, NC 28273, USA  
Tel. +1 (704) 504-0222 • Fax +1 (704) 504-0223  
www.lutze.com • info@lutze.com

United Kingdom: LÜTZE Ltd.

Unit 3, Sandy Hill Park  
Sandy Way, Amington • GB-Tamworth, Staffs B77 4DU  
Tel. +44 (0)1827 31333-0 • Fax +44 (0)1827 31333-2  
www.lutze.com • sales.gb@lutze.co.uk