

## Technical data sheet - Actuator sensor interface

M8 panel jack



<b>Identification</b>	Type	KUGE-M8 3pol. 0,5m Litze
	Part-No.	490060
<b>Description</b>	M8 panel connectors using M8 thread Female 0.5 m TPE wire	
<b>Technical data</b>		
Nominal voltage	AC/DC 24 V	
Nominal voltage range	max. 60 V	
Rated current	4 A	
Pol number	3	
Cable length (m)	0.5 m	
Cable length	0.5 m	
<b>General</b>		
Form	M8 × 1, female	
Rated insulation voltage (EN 50178)	60 V	
Test voltage	1.5 kV	
Pollution degree	3	
Insulation resistance	≥100 MΩ	
Contact resistance	≤3 mΩ	

30.01.2017 – Subject to technical modification

Part-No. 490060

USA: LUTZE INC.

13330 South Ridge Drive • Charlotte, NC 28273, USA  
Tel. +1 (704) 504-0222 • Fax +1 (704) 504-0223  
www.lutze.com • info@lutze.com

United Kingdom: LÜTZE Ltd.

Unit 3, Sandy Hill Park  
Sandy Way, Amington • GB-Tamworth, Staffs B77 4DU  
Tel. +44 (0)1827 31333-0 • Fax +44 (0)1827 31333-2  
www.lutze.com • sales.gb@lutze.co.uk

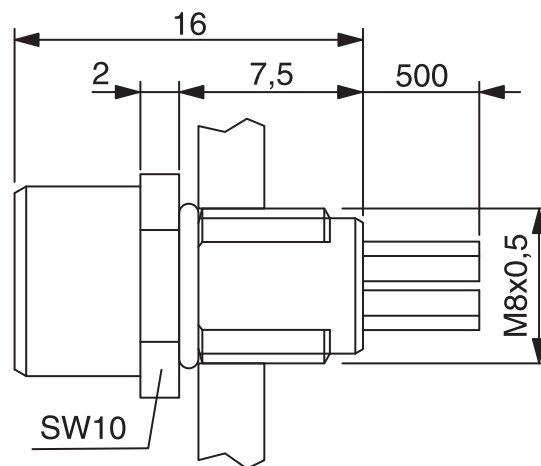


SYSTEMATIC TECHNOLOGY

## Technical data sheet - Actuator sensor interface

Class of flammability according to UL 94	HB
Protection class	IP 67, in screwed condition
Housing material	Zinc die-casting, nickel-plated
Contact material	CuZn, gold-plated
Thread material	CuSn nickel plated
Sealing ring	NBR
Cable construction	Individual wires 0.25 mm <sup>2</sup> (14×0.15 mm)
Conductor insulation	TPE-wire, colored
Storage temperature range	-40 °C ... 90 °C
Temperature range connector	-25 °C – 85 °C
Mechanical service life	>100 insertion cycles
Cross section	3×0.25
Weight (kg/piece)	0.012
Termination	Thread M8
PU	1

### Dimensions



30.01.2017 – Subject to technical modification

Part-No. 490060

USA: LUTZE INC.

13330 South Ridge Drive • Charlotte, NC 28273, USA  
Tel. +1 (704) 504-0222 • Fax +1 (704) 504-0223  
www.lutze.com • info@lutze.com

United Kingdom: LÜTZE Ltd.

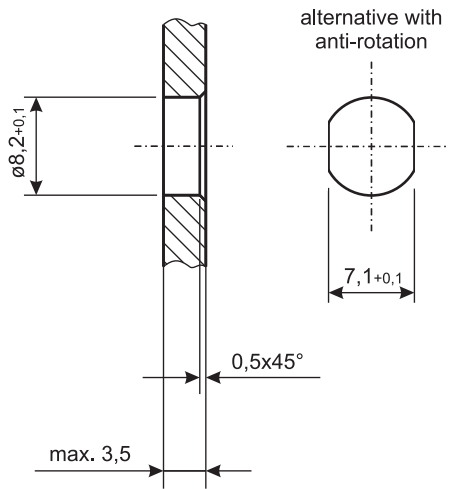
Unit 3, Sandy Hill Park  
Sandy Way, Amington • GB-Tamworth, Staffs B77 4DU  
Tel. +44 (0)1827 31333-0 • Fax +44 (0)1827 31333-2  
www.lutze.com • sales.gb@lutze.co.uk



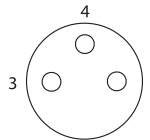
SYSTEMATIC TECHNOLOGY

**Mounting diagram**

assembling board with through bore-hole  
2:1



**Pin layout**



**Comments**

Included in scope of delivery: M8 lock nut

**Connection assignment**

**Pole / wire color:**

- 1/ BN (brown)
- 3/ BU (blue)
- 4/ BK (black)

- 1/ BN (brown)
- 2/ WH (white)
- 3/ BU (blue)
- 4/ BK (black)

30.01.2017 – Subject to technical modification

Part-No. 490060

USA: LUTZE INC.

13330 South Ridge Drive • Charlotte, NC 28273, USA

Tel. +1 (704) 504-0222 • Fax +1 (704) 504-0223

www.lutze.com • info@lutze.com

United Kingdom: LÜTZE Ltd.

Unit 3, Sandy Hill Park

Sandy Way, Amington • GB-Tamworth, Staffs B77 4DU

Tel. +44 (0)1827 31333-0 • Fax +44 (0)1827 31333-2

www.lutze.com • sales.gb@lutze.co.uk



SYSTEMATIC TECHNOLOGY