

Technical data sheet · Actuator sensor interface

M8 panel jack



Identification	Type Part-No.	STGE-M8 4pol. 0,5m Litze 490063
Description	M8 panel connectors using M8 thread Male 0.5 m TPE wire	
Technical data	Nominal voltage AC/DC 24 V Nominal voltage range max. 30 V Rated current 4 A Pol number 4 Cable length (m) 0.5 m Cable length 0.5 m	
General	Form M8 × 1, male Rated insulation voltage (EN 50178) 30 V Test voltage 0.8 kV Pollution degree 3 Insulation resistance $\geq 100 \text{ M}\Omega$ Contact resistance $\leq 3 \text{ m}\Omega$	

30.01.2017 – Subject to technical modification

Part-No. 490063

USA: LUTZE INC.

13330 South Ridge Drive · Charlotte, NC 28273, USA
Tel. +1 (704) 504-0222 · Fax +1 (704) 504-0223
www.lutze.com · info@lutze.com

United Kingdom: LÜTZE Ltd.

Unit 3, Sandy Hill Park
Sandy Way, Amington · GB-Tamworth, Staffs B77 4DU
Tel. +44 (0)1827 31333-0 · Fax +44 (0)1827 31333-2
www.lutze.com · sales.gb@lutze.co.uk

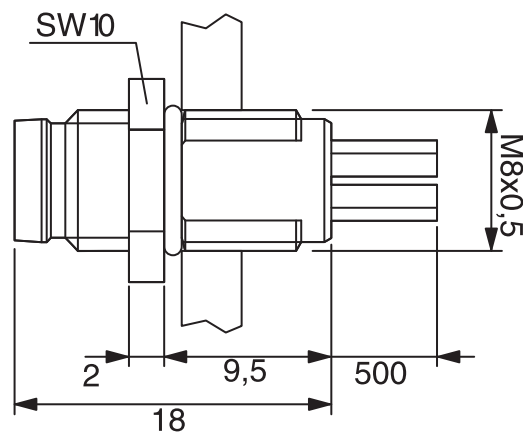


SYSTEMATIC TECHNOLOGY

Technical data sheet - Actuator sensor interface

Class of flammability according to UL 94	HB
Protection class	IP 67, in screwed condition
Housing material	Zinc die-casting, nickel-plated
Contact material	CuZn, gold-plated
Thread material	CuSn nickel plated
Cable construction	Individual wires 0.25 mm ² (14×0.15 mm)
Conductor insulation	TPE-wire, colored
Storage temperature range	-40 °C ... 90 °C
Temperature range connector	-25 °C – 85 °C
Mechanical service life	>100 insertion cycles
Cross section	4×0.25
Weight (kg/piece)	0.014
Termination	Thread M8
PU	1

Dimensions



30.01.2017 – Subject to technical modification

Part-No. 490063

USA: LUTZE INC.

13330 South Ridge Drive • Charlotte, NC 28273, USA

Tel. +1 (704) 504-0222 • Fax +1 (704) 504-0223

www.lutze.com • info@lutze.com

United Kingdom: LÜTZE Ltd.

Unit 3, Sandy Hill Park

Sandy Way, Amington • GB-Tamworth, Staffs B77 4DU

Tel. +44 (0)1827 31333-0 • Fax +44 (0)1827 31333-2

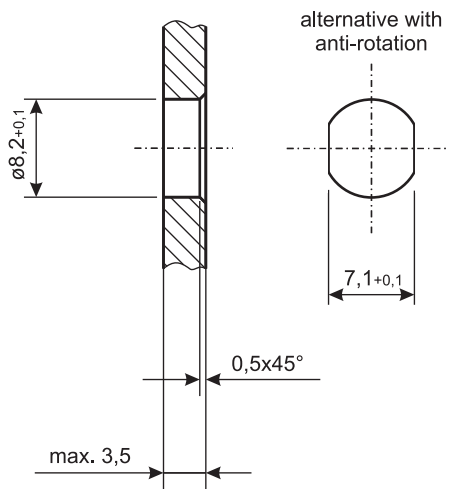
www.lutze.com • sales.gb@lutze.co.uk



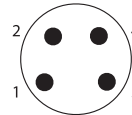
SYSTEMATIC TECHNOLOGY

Mounting diagram

assembling board with through bore-hole
2:1



Pin layout



Comments

Included in scope of delivery: M8 lock nut

Connection assignment

Pole / wire color:

- 1/ BN (brown)
- 3/ BU (blue)
- 4/ BK (black)

- 1/ BN (brown)
- 2/ WH (white)
- 3/ BU (blue)
- 4/ BK (black)

30.01.2017 – Subject to technical modification

Part-No. 490063

USA: LUTZE INC.

13330 South Ridge Drive • Charlotte, NC 28273, USA

Tel. +1 (704) 504-0222 • Fax +1 (704) 504-0223

www.lutze.com • info@lutze.com

United Kingdom: LÜTZE Ltd.

Unit 3, Sandy Hill Park

Sandy Way, Amington • GB-Tamworth, Staffs B77 4DU

Tel. +44 (0)1827 31333-0 • Fax +44 (0)1827 31333-2

www.lutze.com • sales.gb@lutze.co.uk