

## Technical data sheet - Actuator sensor interface

M12 panel jack



<b>Identification</b>	Type	KUGE-M12 4pol. 0,5m Litze
	Part-No.	490064
<b>Description</b>	M12 connectors panel mounted using M16 thread Male / female - A coded 0.5 m TPE wire	
<b>Technical data</b>		
Nominal voltage	AC/DC 24 V	
Nominal voltage range	max. 250 V	
Rated current	4 A	
Pol number	4	
Cable length (m)	0.5 m	
Cable length	0.5 m	
Coding	A	
<b>General</b>		
Form	M12 × 1, female	
Rated insulation voltage (EN 50178)	250 V	
Test voltage	2.5 kV	
Pollution degree	3	
Insulation resistance	≥100 MΩ	

30.01.2017 – Subject to technical modification

Part-No. 490064

USA: LUTZE INC.

13330 South Ridge Drive • Charlotte, NC 28273, USA  
Tel. +1 (704) 504-0222 • Fax +1 (704) 504-0223  
www.lutze.com • info@lutze.com

United Kingdom: LÜTZE Ltd.

Unit 3, Sandy Hill Park  
Sandy Way, Amington • GB-Tamworth, Staffs B77 4DU  
Tel. +44 (0)1827 31333-0 • Fax +44 (0)1827 31333-2  
www.lutze.com • sales.gb@lutze.co.uk

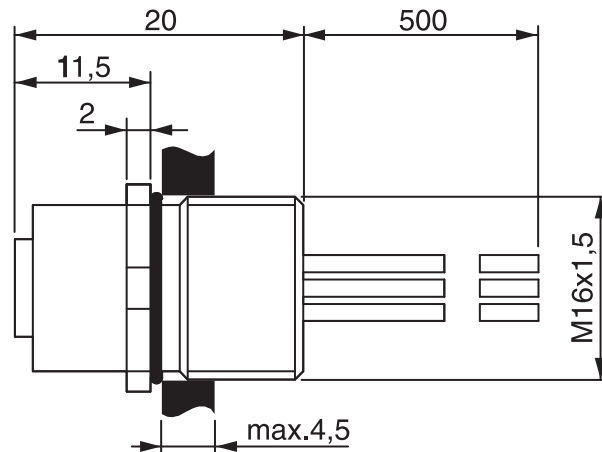


SYSTEMATIC TECHNOLOGY

## Technical data sheet - Actuator sensor interface

Contact resistance	≤3 mΩ
Class of flammability according to UL 94	V0
Protection class	IP 67, in screwed condition
Housing material	Zinc die-casting, nickel-plated
Contact material	CuZn, gold-plated
Thread material	CuSn nickel plated
Sealing ring	NBR
Cable construction	Individual wires: 0.34 mm <sup>2</sup> (7×0.25 mm) / 0.25 mm <sup>2</sup> (14×0.15 mm)
Conductor insulation	TPE-wire, colored
Cable diameter	0,34 mm <sup>2</sup> : 1.25 mm / 0.25 mm <sup>2</sup> : 1.15 mm
Storage temperature range	-40 °C ... 90 °C
Temperature range connector	-25 °C – 90 °C
Mechanical service life	>100 insertion cycles
Cross section	4×0.34
Weight (kg/piece)	0.020
Termination	Thread M16
PU	1

### Dimensions



30.01.2017 – Subject to technical modification

Part-No. 490064

USA: LUTZE INC.

13330 South Ridge Drive • Charlotte, NC 28273, USA  
Tel. +1 (704) 504-0222 • Fax +1 (704) 504-0223  
www.lutze.com • info@lutze.com

United Kingdom: LÜTZE Ltd.

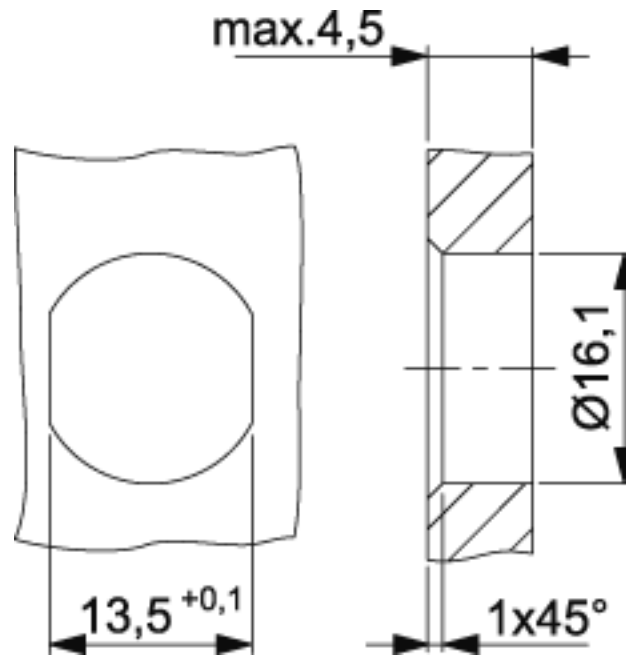
Unit 3, Sandy Hill Park  
Sandy Way, Amington • GB-Tamworth, Staffs B77 4DU  
Tel. +44 (0)1827 31333-0 • Fax +44 (0)1827 31333-2  
www.lutze.com • sales.gb@lutze.co.uk



SYSTEMATIC TECHNOLOGY

# Technical data sheet · Actuator sensor interface

## Mounting diagram



## Pin layout



## Accessories

Accessories	Article number	Type	PU
Counter nut M16	600361	GMS M 16 × 1.5	100

30.01.2017 – Subject to technical modification

Part-No. 490064

USA: LUTZE INC.

13330 South Ridge Drive · Charlotte, NC 28273, USA

Tel. +1 (704) 504-0222 · Fax +1 (704) 504-0223

www.lutze.com · info@lutze.com

United Kingdom: LÜTZE Ltd.

Unit 3, Sandy Hill Park

Sandy Way, Amington · GB-Tamworth, Staffs B77 4DU

Tel. +44 (0)1827 31333-0 · Fax +44 (0)1827 31333-2

www.lutze.com · sales.gb@lutze.co.uk

## Technical data sheet - Actuator sensor interface

---

### Comments

### Connection assignment

#### Pole / wire color:

1/ BN (brown)  
2/ WH (white)  
3/ BU (blue)  
4/ BK (black)

1/ BN (brown)  
2/ WH (white)  
3/ BU (blue)  
4/ BK (black)  
5/ GY (grey)

1/ WH (white)  
2/ BN (brown)  
3/ GN (green)  
4/ YE (yellow)  
5/ GY (grey)  
6/ PK (pink)  
7/ BU (blue)  
8/ RD (red)

30.01.2017 – Subject to technical modification

Part-No. 490064

USA: LUTZE INC.

13330 South Ridge Drive • Charlotte, NC 28273, USA  
Tel. +1 (704) 504-0222 • Fax +1 (704) 504-0223  
www.lutze.com • info@lutze.com

United Kingdom: LÜTZE Ltd.

Unit 3, Sandy Hill Park  
Sandy Way, Amington • GB-Tamworth, Staffs B77 4DU  
Tel. +44 (0)1827 31333-0 • Fax +44 (0)1827 31333-2  
www.lutze.com • sales.gb@lutze.co.uk



SYSTEMATIC TECHNOLOGY