



<b>Identification</b>	Type	KUGK4-M12(C) 4-POL. D-cod. SK
	Part-No.	490095

<b>Description</b>	Field wireable connector, M12 straight shielded Female - D coded Cat 5e (Ethernet, Profinet) Shield termination via iris spring, cage clamp
--------------------	---

<b>Technical data</b>	
Nominal voltage	AC/DC 24 V
Nominal voltage range	max. 60 V
Rated current	Max. 4 A per contact
Pol number	4
Coding	D
Shielding	360°

<b>General</b>	
Form	M12 × 1, female
Rated insulation voltage (EN 50178)	60 V
Test voltage	0.8 kV
Pollution degree	3
Insulation resistance	>10 <sup>10</sup> Ω
Contact resistance	<8 mΩ

20.04.2016 – Subject to technical modification

Part-No. 490095

USA: LUTZE INC.

13330 South Ridge Drive • Charlotte, NC 28273, USA  
Tel. +1 (704) 504-0222 • Fax +1 (704) 504-0223  
www.lutze.com • info@lutze.com

United Kingdom: LUTZE Ltd.

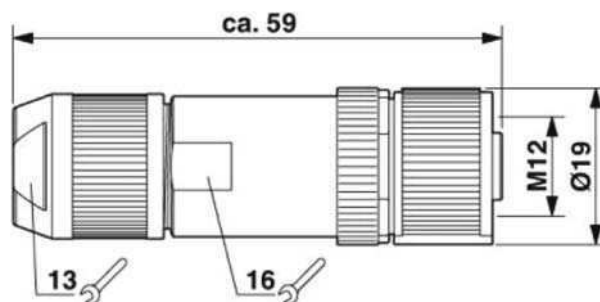
Unit 3, Sandy Hill Park  
Sandy Way, Amington • GB-Tamworth, Staffs B77 4DU  
Tel. +44 (0)1827 31333-0 • Fax +44 (0)1827 31333-2  
www.lutze.com • sales.gb@lutze.co.uk



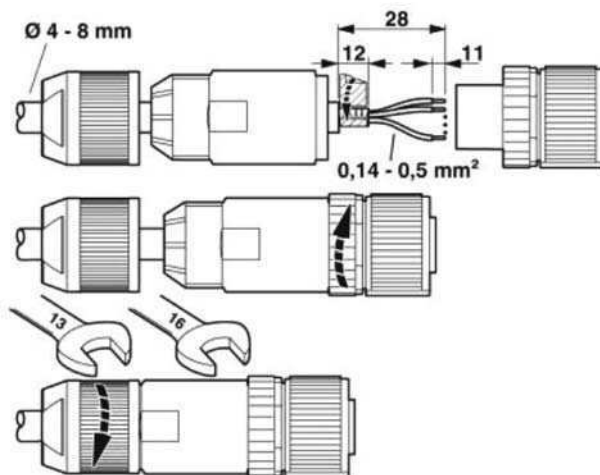
## Technical data sheet - Actuator sensor interface

Class of flammability according to UL 94	V0
Protection class	IP 67, in screwed condition
Housing material	Zinc die-casting, nickel-plated
Contact material	CuSn, gold-plated
Thread material	CuSn nickel plated
Gasket	NBR
Cable diameter	4 – 8 mm
Storage temperature range	-40 °C – 90 °C
Temperature range connector	-40 °C – 85 °C
Mechanical service life	≥ 100 insertion cycles
Weight (kg/piece)	0.042
Termination	Cage clamp 0.14 mm <sup>2</sup> – 0.5 mm <sup>2</sup> / 26 AWG – 20 AWG
PU	1

### Dimensions



### Mounting diagram



20.04.2016 – Subject to technical modification

Part-No. 490095

USA: LUTZE INC.

13330 South Ridge Drive • Charlotte, NC 28273, USA

Tel. +1 (704) 504-0222 • Fax +1 (704) 504-0223

www.lutze.com • info@lutze.com

United Kingdom: LUTZE Ltd.

Unit 3, Sandy Hill Park

Sandy Way, Amington • GB-Tamworth, Staffs B77 4DU

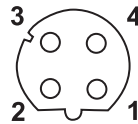
Tel. +44 (0)1827 31333-0 • Fax +44 (0)1827 31333-2

www.lutze.com • sales.gb@lutze.co.uk

## Technical data sheet - Actuator sensor interface

---

### Pin layout



### Comments

suitable for Ethernet and Profinet, see bus cables

20.04.2016 – Subject to technical modification

Part-No. 490095

USA: LUTZE INC.

13330 South Ridge Drive • Charlotte, NC 28273, USA  
Tel. +1 (704) 504-0222 • Fax +1 (704) 504-0223  
www.lutze.com • info@lutze.com

United Kingdom: LUTZE Ltd.

Unit 3, Sandy Hill Park  
Sandy Way, Amington • GB-Tamworth, Staffs B77 4DU  
Tel. +44 (0)1827 31333-0 • Fax +44 (0)1827 31333-2  
www.lutze.com • sales.gb@lutze.co.uk