



---

<b>Identification</b>	Type	USB-3.0 A/A F/F
	Part-No.	490112

---

---

<b>Description</b>	USB 3.0 panel connector with M22 thread for front installation	
	USB 3.0 female / female Type A/A	
	Typ: UBS-3.0 A/A F/F	

---

---

<b>Technical data</b>		
Nominal voltage	AC/DC 5 V	
Nominal voltage range	max. 30 V	
Rated current	900 mA	
Pol number	9	
Transfer rate	5 Gbit/s	
USB standard	3.0	
Contact type	1 : 1	
Shielding	yes	

---

---

<b>General</b>		
Form	USB 3.0 Female/Female Type A/A	
Pollution degree	3	
Insulation resistance	>100 MΩ	
Contact resistance	<30 mΩ	

---

30.01.2017 – Subject to technical modification

Part-No. 490112

USA: LUTZE INC.

13330 South Ridge Drive • Charlotte, NC 28273, USA

Tel. +1 (704) 504-0222 • Fax +1 (704) 504-0223

www.lutze.com • info@lutze.com

United Kingdom: LÜTZE Ltd.

Unit 3, Sandy Hill Park

Sandy Way, Amington • GB-Tamworth, Staffs B77 4DU

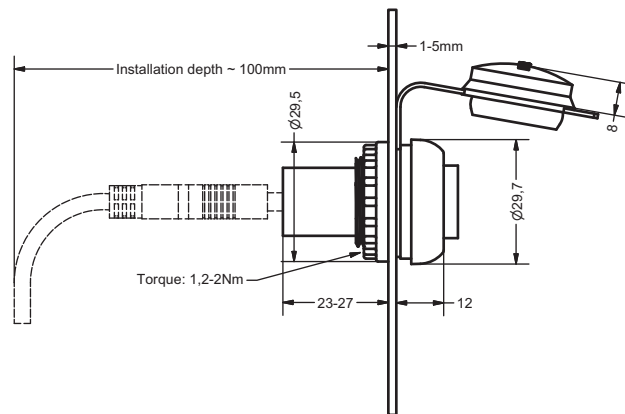
Tel. +44 (0)1827 31333-0 • Fax +44 (0)1827 31333-2

www.lutze.com • sales.gb@lutze.co.uk

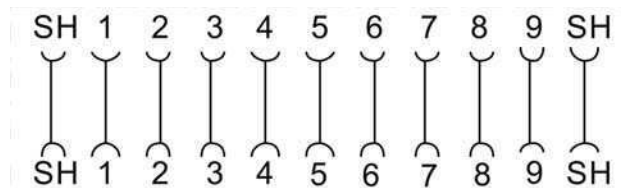
## Technical data sheet - Actuator sensor interface

Protection class	IP 65 and UL NEMA Typ 12 65 in closed and IP 20 in inserted condition
Housing material	Female: PA, PVC, Coverage TPU
Contact material	CuSn, gold-plated
Field installation	Front plate cutout D=22.5mm
Storage temperature range	-25 °C ... 80 °C
Operation temperature range	-20 °C – 70 °C
Dimension	(D×T) 29.5 × 42.5 mm, installation depth appr. 100 mm
Mechanical service life	>100 insertion cycles
Weight (kg/piece)	0.009
Approvals	cULus
PU	1

### Dimensions



### PIN assignment



30.01.2017 – Subject to technical modification

Part-No. 490112

USA: LUTZE INC.

13330 South Ridge Drive • Charlotte, NC 28273, USA

Tel. +1 (704) 504-0222 • Fax +1 (704) 504-0223

www.lutze.com • info@lutze.com

United Kingdom: LÜTZE Ltd.

Unit 3, Sandy Hill Park

Sandy Way, Amington • GB-Tamworth, Staffs B77 4DU

Tel. +44 (0)1827 31333-0 • Fax +44 (0)1827 31333-2

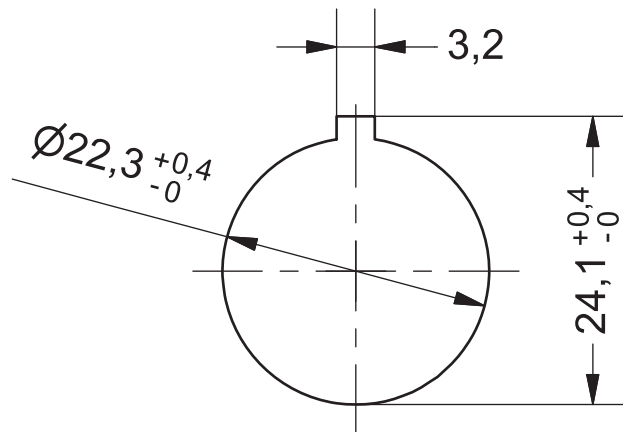
www.lutze.com • sales.gb@lutze.co.uk



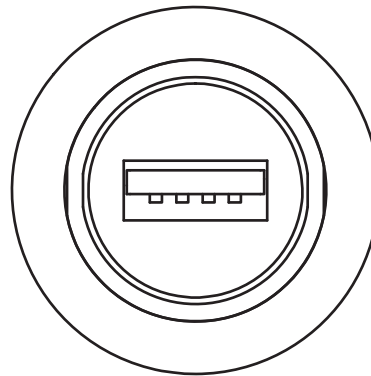
SYSTEMATIC TECHNOLOGY

# Technical data sheet · Actuator sensor interface

## Mounting diagram



front view



## Symbols



## Comments

Included in the delivery: captive safety cap

30.01.2017 – Subject to technical modification

Part-No. 490112

USA: LUTZE INC.

13330 South Ridge Drive · Charlotte, NC 28273, USA  
Tel. +1 (704) 504-0222 · Fax +1 (704) 504-0223  
www.lutze.com · info@lutze.com

United Kingdom: LÜTZE Ltd.

Unit 3, Sandy Hill Park

Sandy Way, Amington · GB-Tamworth, Staffs B77 4DU  
Tel. +44 (0)1827 31333-0 · Fax +44 (0)1827 31333-2  
www.lutze.com · sales.gb@lutze.co.uk