

Technical data sheet - Actuator sensor interface

USB-panel connector



Identification	Type	USB-3.0 A/A F/M 2,0m PVC
	Part-No.	490113.0200
Description		
	USB 3.0 panel connector with M22 thread for front installation USB connector Type A on straight USB plug Type A with PVC cable Type: USB-3.0 A/A	
Technical data		
Nominal voltage	AC/DC 5 V	
Nominal voltage range	max. 30 V	
Rated current	900 mA	
Pol number	9	
Cable length (m)	2.0 m	
Cable length	2.0 m	
Transfer rate	5 Gbit/s	
USB standard	3.0	
Contact type	1 : 1	
Shielding	yes	
General		
Form	USB-A	
Pollution degree	3	

30.01.2017 – Subject to technical modification

Part-No. 490113.0200

USA: LUTZE INC.

13330 South Ridge Drive • Charlotte, NC 28273, USA
Tel. +1 (704) 504-0222 • Fax +1 (704) 504-0223
www.lutze.com • info@lutze.com

United Kingdom: LÜTZE Ltd.

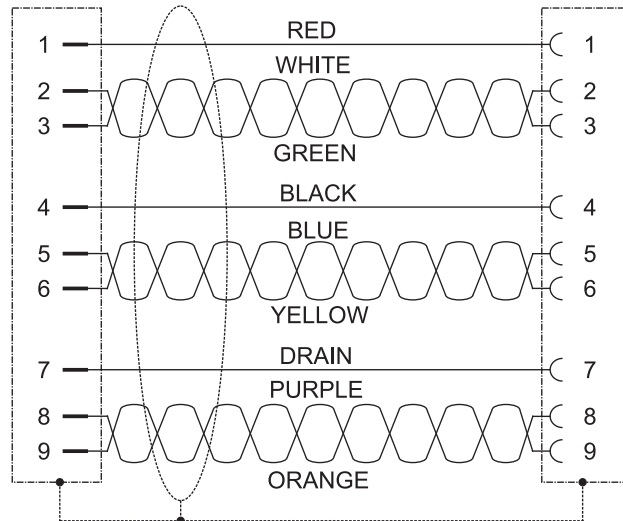
Unit 3, Sandy Hill Park
Sandy Way, Amington • GB-Tamworth, Staffs B77 4DU
Tel. +44 (0)1827 31333-0 • Fax +44 (0)1827 31333-2
www.lutze.com • sales.gb@lutze.co.uk



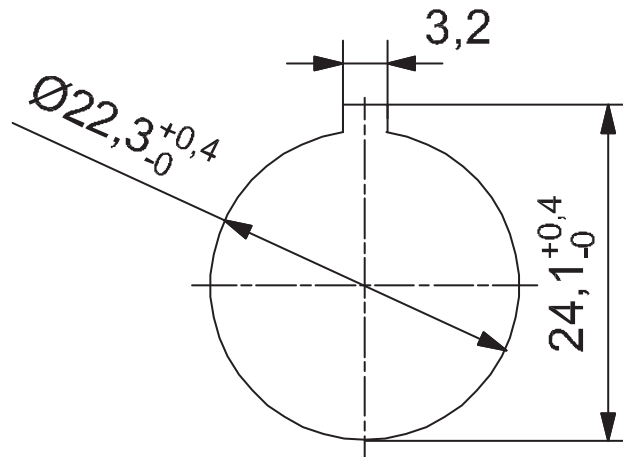
SYSTEMATIC TECHNOLOGY

Technical data sheet · Actuator sensor interface

PIN assignment



Mounting diagram



30.01.2017 – Subject to technical modification

Part-No. 490113.0200

USA: LUTZE INC.

13330 South Ridge Drive · Charlotte, NC 28273, USA

Tel. +1 (704) 504-0222 · Fax +1 (704) 504-0223

www.lutze.com · info@lutze.com

United Kingdom: LÜTZE Ltd.

Unit 3, Sandy Hill Park

Sandy Way, Amington · GB-Tamworth, Staffs B77 4DU

Tel. +44 (0)1827 31333-0 · Fax +44 (0)1827 31333-2

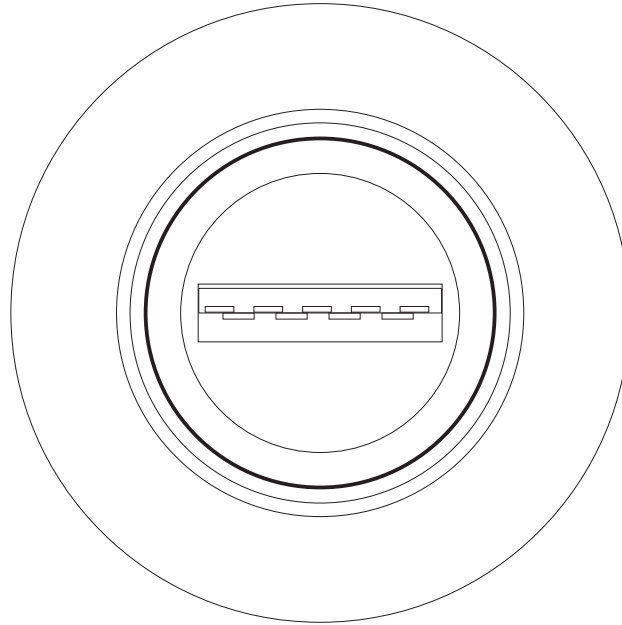
www.lutze.com · sales.gb@lutze.co.uk



SYSTEMATIC TECHNOLOGY

Technical data sheet - Actuator sensor interface

Front view



Symbols



Comments

Included in the delivery: captive safety cap

30.01.2017 – Subject to technical modification

Part-No. 490113.0200

USA: LUTZE INC.

13330 South Ridge Drive • Charlotte, NC 28273, USA
Tel. +1 (704) 504-0222 • Fax +1 (704) 504-0223
www.lutze.com • info@lutze.com

United Kingdom: LÜTZE Ltd.

Unit 3, Sandy Hill Park
Sandy Way, Amington • GB-Tamworth, Staffs B77 4DU
Tel. +44 (0)1827 31333-0 • Fax +44 (0)1827 31333-2
www.lutze.com • sales.gb@lutze.co.uk