

## Technical data sheet - Actuator sensor interface

USB-panel connector



<b>Identification</b>	Type	USB-3.0 A/A F/M 5,0m PVC
	Part-No.	490113.0500
<b>Description</b>	USB 3.0 panel connector with M22 thread for front installation USB connector Type A on straight USB plug Type A with PVC cable Type: USB-3.0 A/A	
<b>Technical data</b>		
Nominal voltage	AC/DC 5 V	
Nominal voltage range	max. 30 V	
Rated current	900 mA	
Pol number	9	
Cable length (m)	5.0 m	
Cable length	5.0 m	
Transfer rate	5 Gbit/s	
USB standard	3.0	
Contact type	1 : 1	
Shielding	yes	
<b>General</b>		
Form	USB-A	
Pollution degree	3	

30.01.2017 – Subject to technical modification

Part-No. 490113.0500

USA: LUTZE INC.

13330 South Ridge Drive • Charlotte, NC 28273, USA  
Tel. +1 (704) 504-0222 • Fax +1 (704) 504-0223  
www.lutze.com • info@lutze.com

United Kingdom: LÜTZE Ltd.

Unit 3, Sandy Hill Park  
Sandy Way, Amington • GB-Tamworth, Staffs B77 4DU  
Tel. +44 (0)1827 31333-0 • Fax +44 (0)1827 31333-2  
www.lutze.com • sales.gb@lutze.co.uk

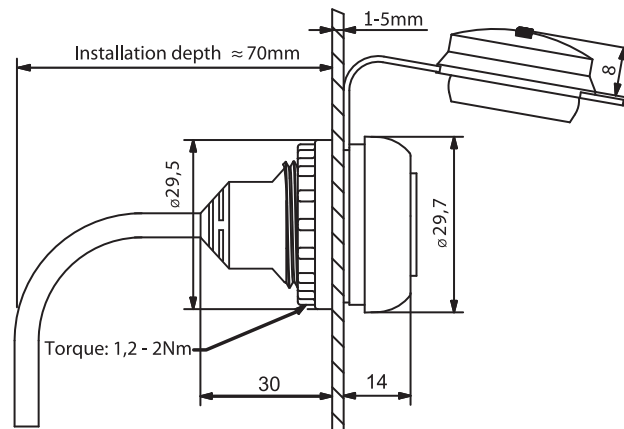


SYSTEMATIC TECHNOLOGY

## Technical data sheet - Actuator sensor interface

Insulation resistance	>100 M $\Omega$
Contact resistance	<30 m $\Omega$
Protection class	IP 65 and UL NEMA Typ 12 65 in closed and IP 20 in inserted condition
Housing material	Female: PA; Male: PVC, Coverage: TPU
Contact material	CuSn, gold-plated
Field installation	Front plate cutout D=22.5mm
Cable construction	(2×AWG24 + 1×2×AWG28 + 2×(1×2×AWG28)St)StC
Cable jacket	PVC black
Cable diameter	6.1 mm
Bending radius	6 x cable diameter
Operation temperature range	-5 °C – 70 °C
Temperature range cable fixed	-25 °C – 80 °C
Temperature range cable moving	-5 °C – 70 °C
Dimension	(D×T) 29.5 × 45 mm, installation depth appr. 70 mm
Mechanical service life	1500 insertion cycles
Weight (kg/piece)	0.232
Approvals	cULus
PU	1

### Dimensions



30.01.2017 – Subject to technical modification

Part-No. 490113.0500

USA: LUTZE INC.

13330 South Ridge Drive • Charlotte, NC 28273, USA

Tel. +1 (704) 504-0222 • Fax +1 (704) 504-0223

www.lutze.com • info@lutze.com

United Kingdom: LÜTZE Ltd.

Unit 3, Sandy Hill Park

Sandy Way, Amington • GB-Tamworth, Staffs B77 4DU

Tel. +44 (0)1827 31333-0 • Fax +44 (0)1827 31333-2

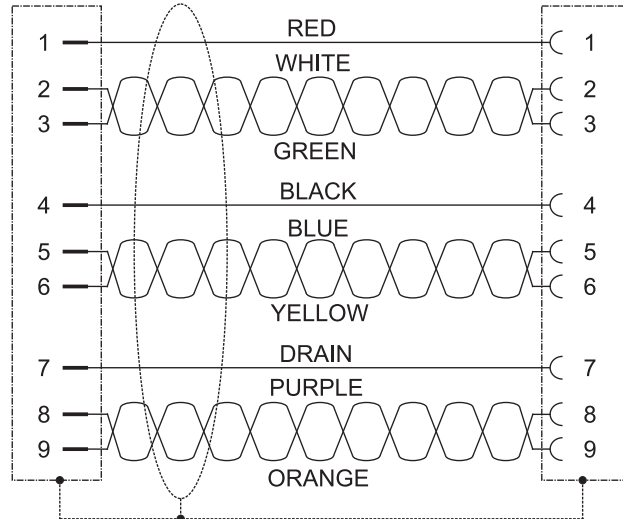
www.lutze.com • sales.gb@lutze.co.uk



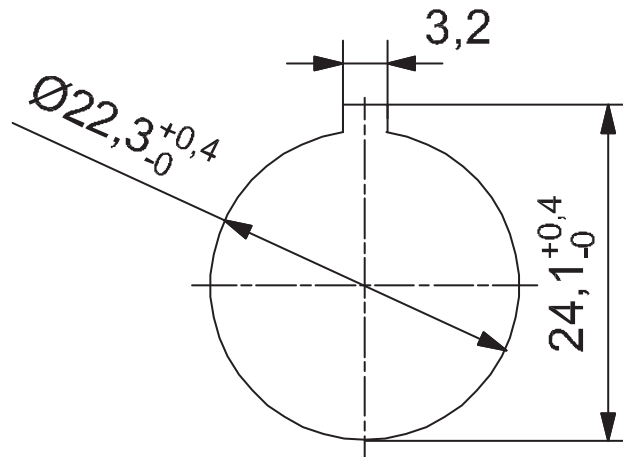
SYSTEMATIC TECHNOLOGY

# Technical data sheet · Actuator sensor interface

## PIN assignment



## Mounting diagram



30.01.2017 – Subject to technical modification

Part-No. 490113.0500

USA: LUTZE INC.

13330 South Ridge Drive · Charlotte, NC 28273, USA

Tel. +1 (704) 504-0222 · Fax +1 (704) 504-0223

www.lutze.com · info@lutze.com

United Kingdom: LÜTZE Ltd.

Unit 3, Sandy Hill Park

Sandy Way, Amington · GB-Tamworth, Staffs B77 4DU

Tel. +44 (0)1827 31333-0 · Fax +44 (0)1827 31333-2

www.lutze.com · sales.gb@lutze.co.uk

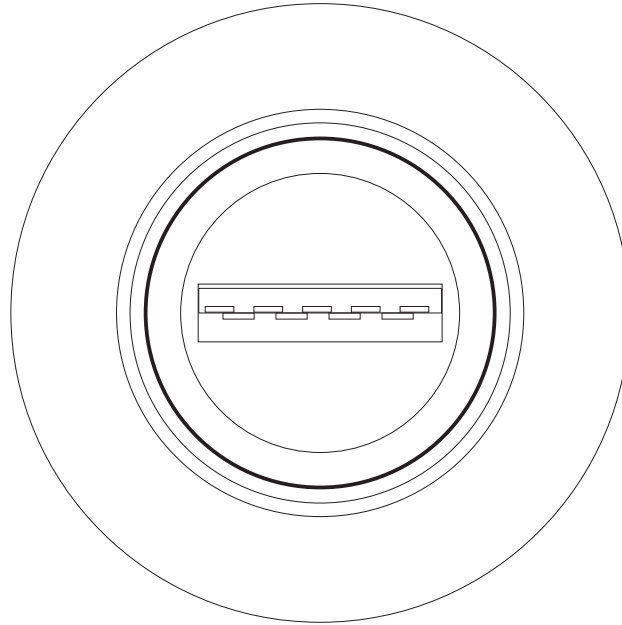


SYSTEMATIC TECHNOLOGY

## Technical data sheet - Actuator sensor interface

---

### Front view



---

### Symbols



---

### Comments

Included in the delivery: captive safety cap

30.01.2017 – Subject to technical modification

Part-No. 490113.0500

USA: LUTZE INC.

13330 South Ridge Drive • Charlotte, NC 28273, USA

Tel. +1 (704) 504-0222 • Fax +1 (704) 504-0223

www.lutze.com • info@lutze.com

United Kingdom: LÜTZE Ltd.

Unit 3, Sandy Hill Park

Sandy Way, Amington • GB-Tamworth, Staffs B77 4DU

Tel. +44 (0)1827 31333-0 • Fax +44 (0)1827 31333-2

www.lutze.com • sales.gb@lutze.co.uk



SYSTEMATIC TECHNOLOGY