

RJ45 connector



Identification	Type	RJ45-X 8pol. Cat.6A T568A
	Part-No.	490152
Description	Industrial connector RJ45, angled solid metal housing, quick-connect technology AWG 27–22 Cat 6A	
Technical data	Nominal voltage 30 V Rated current Max. 1.0 A per contact Pol number 8 Transfer rate 10 Gbit/s Transmission frequency 10 GBit/s Category 6A (ISO/IEC 11801, DIN EN 50173-1) Contact type Penetration contacts Shielding yes	
General	Form RJ45 (IEC 60603-7-51), cable output 90° rotating Pollution degree 1 Insulation resistance $\geq 500 \text{ M}\Omega$ Contact resistance $\leq 20 \text{ m}\Omega$	

30.01.2017 – Subject to technical modification

Part-No. 490152

USA: LUTZE INC.

13330 South Ridge Drive · Charlotte, NC 28273, USA
Tel. +1 (704) 504-0222 · Fax +1 (704) 504-0223
www.lutze.com · info@lutze.com

United Kingdom: LÜTZE Ltd.

Unit 3, Sandy Hill Park
Sandy Way, Amington · GB-Tamworth, Staffs B77 4DU
Tel. +44 (0)1827 31333-0 · Fax +44 (0)1827 31333-2
www.lutze.com · sales.gb@lutze.co.uk



SYSTEMATIC TECHNOLOGY

Technical data sheet - Actuator sensor interface

Class of flammability according to UL 94	V0
Protection class	IP 20
Housing material	Zinc die-casting, nickel-plated/PBT black
Coverage	PBT black
Contact material	Spring steel 0.8 µm gold-plated
Cable diameter	5.5 – 10.0 mm
Strand diameter	1.0 – 1.6 mm
Storage temperature range	-40 °C ... 85 °C
Operation temperature range	-40 °C – 85 °C
Dimensions (w × h × d)	13.9 × 41.0 × 45.7 mm
Mechanical service life	≥ 750 insertion cycles
Cross section	AWG 24/1-22/1, AWG 27/7-22/7
Weight (kg/piece)	0.030
Approvals	cULus
Standards	IEC 60603-7-51
PU	1

30.01.2017 – Subject to technical modification

Part-No. 490152

USA: LUTZE INC.

13330 South Ridge Drive • Charlotte, NC 28273, USA

Tel. +1 (704) 504-0222 • Fax +1 (704) 504-0223

www.lutze.com • info@lutze.com

United Kingdom: LÜTZE Ltd.

Unit 3, Sandy Hill Park

Sandy Way, Amington • GB-Tamworth, Staffs B77 4DU

Tel. +44 (0)1827 31333-0 • Fax +44 (0)1827 31333-2

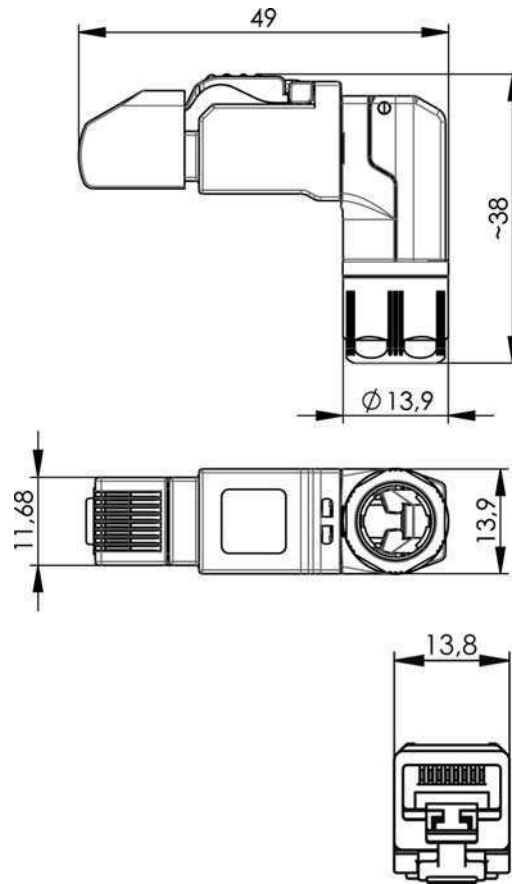
www.lutze.com • sales.gb@lutze.co.uk



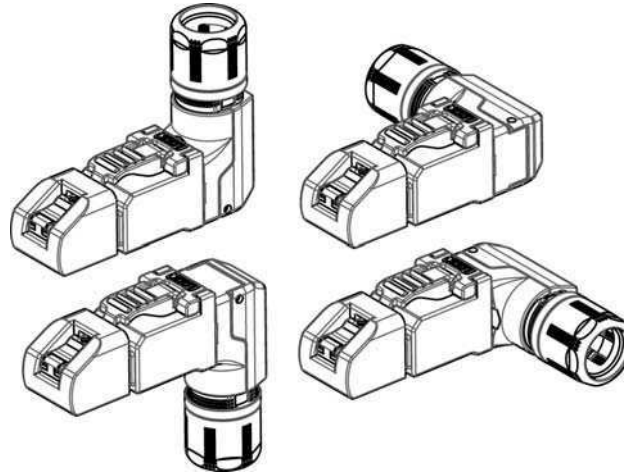
SYSTEMATIC TECHNOLOGY

Technical data sheet · Actuator sensor interface

Dimensions



Mounting diagram



30.01.2017 – Subject to technical modification

Part-No. 490152

USA: LUTZE INC.

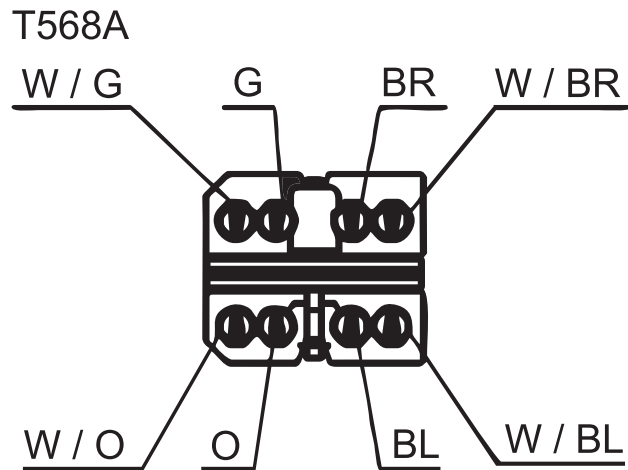
13330 South Ridge Drive · Charlotte, NC 28273, USA
Tel. +1 (704) 504-0222 · Fax +1 (704) 504-0223
www.lutze.com · info@lutze.com

United Kingdom: LÜTZE Ltd.

Unit 3, Sandy Hill Park
Sandy Way, Amington · GB-Tamworth, Staffs B77 4DU
Tel. +44 (0)1827 31333-0 · Fax +44 (0)1827 31333-2
www.lutze.com · sales.gb@lutze.co.uk

Technical data sheet · Actuator sensor interface

Connection assignment



Symbols



Comments

Suitable for Profinet, SERCOS3, Ethercat, Ethernet/IP, Powerlink, VARAN, Power over Ethernet+ (PoE+IEEE 802.3at)
Suitable cables, see overview assignment Ethernet cables to connectors

30.01.2017 – Subject to technical modification

Part-No. 490152

USA: LUTZE INC.

13330 South Ridge Drive · Charlotte, NC 28273, USA
Tel. +1 (704) 504-0222 · Fax +1 (704) 504-0223
www.lutze.com · info@lutze.com

United Kingdom: LÜTZE Ltd.

Unit 3, Sandy Hill Park
Sandy Way, Amington · GB-Tamworth, Staffs B77 4DU
Tel. +44 (0)1827 31333-0 · Fax +44 (0)1827 31333-2
www.lutze.com · sales.gb@lutze.co.uk