



| | | |
|-----------------------|----------|----------------------------------|
| Identification | Type | STGK8-M12(C) 8pol. X-kod. Cat.6A |
| | Part-No. | 490167 |

| | |
|--------------------|---|
| Description | Field wireable connector, M12 straight shielded Male - X coded Cat 6 _A (Ethernet, Profinet) IDC quick-connect technology |
|--------------------|---|

| | |
|-----------------------|------------|
| Technical data | |
| Nominal voltage | AC/DC 48 V |
| Pol number | 8 |
| Coding | X |
| Shielding | 360° |

| | |
|--|---------------------------------|
| General | |
| Form | M12 × 1, male |
| Pollution degree | 3 |
| Insulation resistance | >10 ¹⁰ Ω |
| Contact resistance | ≤5 mΩ |
| Class of flammability according to UL 94 | V0 |
| Protection class | IP 67, in screwed condition |
| Housing material | Zinc die-casting, nickel-plated |
| Contact material | CuZn, gold-plated |

30.01.2017 – Subject to technical modification

Part-No. 490167

USA: LUTZE INC.

13330 South Ridge Drive • Charlotte, NC 28273, USA
Tel. +1 (704) 504-0222 • Fax +1 (704) 504-0223
www.lutze.com • info@lutze.com

United Kingdom: LÜTZE Ltd.

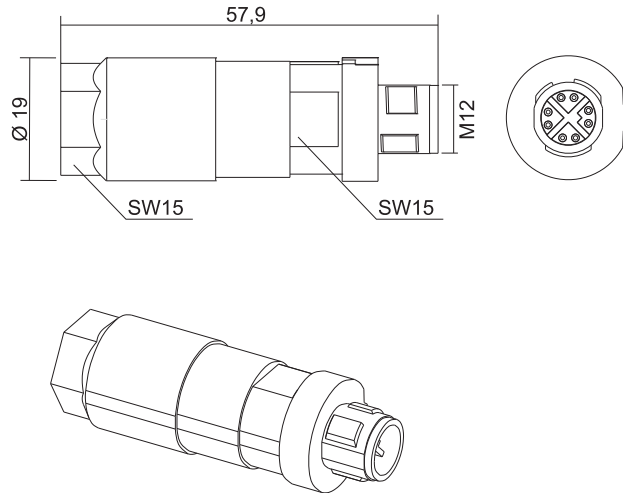
Unit 3, Sandy Hill Park
Sandy Way, Amington • GB-Tamworth, Staffs B77 4DU
Tel. +44 (0)1827 31333-0 • Fax +44 (0)1827 31333-2
www.lutze.com • sales.gb@lutze.co.uk



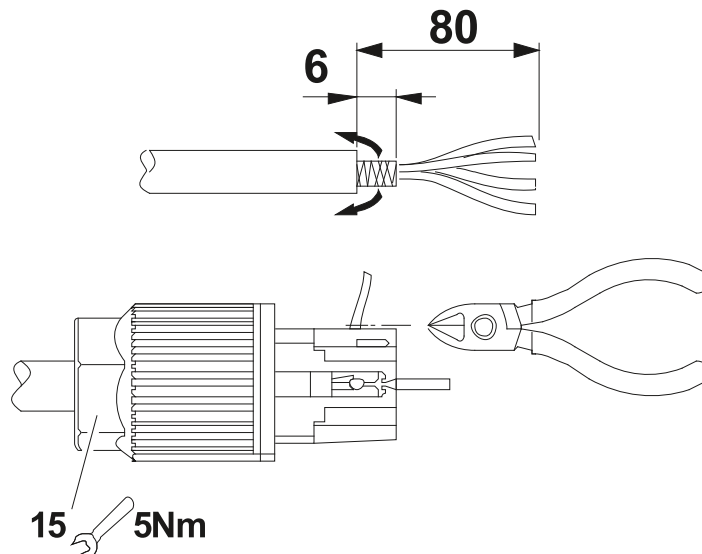
Technical data sheet · Actuator sensor interface

| | |
|-----------------------------|---|
| Sealing ring | NBR |
| Storage temperature range | -40 °C ... 85 °C |
| Temperature range connector | -40 °C – 85 °C |
| Mechanical service life | ≥ 100 insertion cycles |
| Cross section | AWG24/1 – AWG22/1, AWG27–AWG22/7 |
| Termination | Insulation displacement connection technology |
| PU | 1 |

Dimensions



Mounting diagram



30.01.2017 – Subject to technical modification

Part-No. 490167

USA: LUTZE INC.

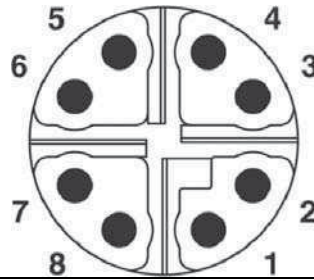
13330 South Ridge Drive · Charlotte, NC 28273, USA
Tel. +1 (704) 504-0222 · Fax +1 (704) 504-0223
www.lutze.com · info@lutze.com

United Kingdom: LÜTZE Ltd.

Unit 3, Sandy Hill Park
Sandy Way, Amington · GB-Tamworth, Staffs B77 4DU
Tel. +44 (0)1827 31333-0 · Fax +44 (0)1827 31333-2
www.lutze.com · sales.gb@lutze.co.uk

Technical data sheet - Actuator sensor interface

Pin layout



Accessories

| Accessories | Article number | Type | PU |
|-----------------|----------------|------------------------|----|
| matching cables | 104338 | (4x(2xAWG26/ 7)St)C | |
| | 104331 | (4x(2xAWG26/ 7)St)C | |
| | 104347 | (4x2xAWG26/19) CMX | |

30.01.2017 – Subject to technical modification

Part-No. 490167

USA: LUTZE INC.

13330 South Ridge Drive • Charlotte, NC 28273, USA

Tel. +1 (704) 504-0222 • Fax +1 (704) 504-0223

www.lutze.com • info@lutze.com

United Kingdom: LÜTZE Ltd.

Unit 3, Sandy Hill Park

Sandy Way, Amington • GB-Tamworth, Staffs B77 4DU

Tel. +44 (0)1827 31333-0 • Fax +44 (0)1827 31333-2

www.lutze.com • sales.gb@lutze.co.uk



SYSTEMATIC TECHNOLOGY