



Identification	Type	RJ45 F/F 8/8 Cat.6
	Part-No.	491075

Description	RJ45 panel connector for front installation 22.5 mm female/female 1:1 Cat 5e/6
--------------------	--

Technical data	
Nominal voltage	AC 24 V
Nominal voltage range	AC 150 V
Rated current	1.5 A
Pol number	8
Transmission frequency	250 MHz
Category	6
Contact type	1 : 1
Shielding	360° shielding

General	
Form	RJ45
Pollution degree	3
Insulation resistance	≥100 MΩ
Contact resistance	≤30 mΩ

30.01.2017 – Subject to technical modification

Part-No. 491075

USA: LUTZE INC.

13330 South Ridge Drive • Charlotte, NC 28273, USA
Tel. +1 (704) 504-0222 • Fax +1 (704) 504-0223
www.lutze.com • info@lutze.com

United Kingdom: LÜTZE Ltd.

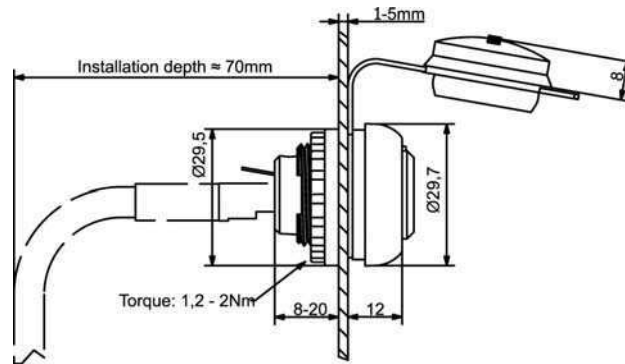
Unit 3, Sandy Hill Park
Sandy Way, Amington • GB-Tamworth, Staffs B77 4DU
Tel. +44 (0)1827 31333-0 • Fax +44 (0)1827 31333-2
www.lutze.com • sales.gb@lutze.co.uk



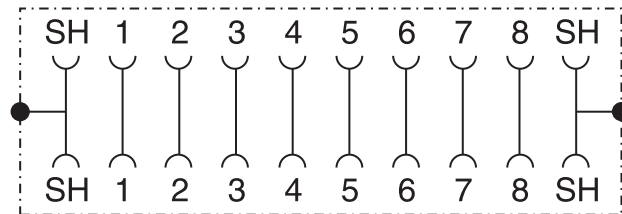
Technical data sheet - Actuator sensor interface

Class of flammability according to UL 94	V0
Protection class	IP 65 and NEMA UL Type 12 in closed and IP 20 in inserted condition
Housing material	PA-GF25; PBT Gf20; Coverage TPU
Coverage	TPU
Contact material	CuSn, gold-plated
Field installation	Front plate cutout D=22.5mm
Installation depth	approx. 70 mm
Cable construction	8 (4-pair)
Storage temperature range	-25 °C ... 80 °C
Operation temperature range	-25...+70 °C
Dimension	(?×D) 29.5 × 29 mm
Mechanical service life	<750 insertion cycles
Weight (kg/piece)	0.016
Approvals	cULus
PU	1

Dimensions



Circuit diagram



30.01.2017 – Subject to technical modification

Part-No. 491075

USA: LUTZE INC.

13330 South Ridge Drive • Charlotte, NC 28273, USA

Tel. +1 (704) 504-0222 • Fax +1 (704) 504-0223

www.lutze.com • info@lutze.com

United Kingdom: LÜTZE Ltd.

Unit 3, Sandy Hill Park

Sandy Way, Amington • GB-Tamworth, Staffs B77 4DU

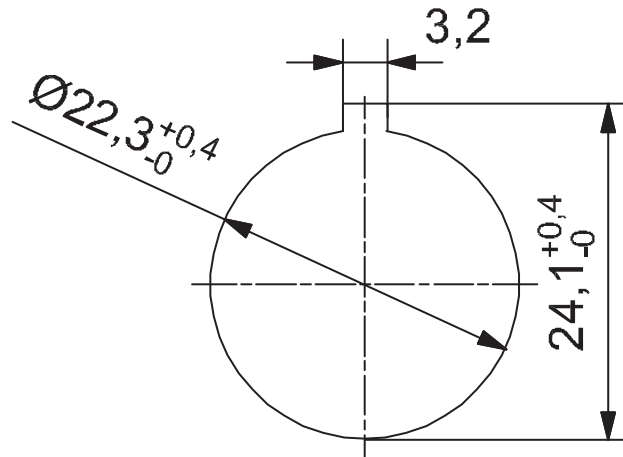
Tel. +44 (0)1827 31333-0 • Fax +44 (0)1827 31333-2

www.lutze.com • sales.gb@lutze.co.uk

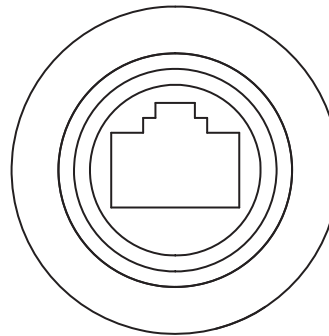


SYSTEMATIC TECHNOLOGY

Mounting diagram



front view:



Symbols



30.01.2017 – Subject to technical modification

Part-No. 491075

USA: LUTZE INC.

13330 South Ridge Drive · Charlotte, NC 28273, USA
Tel. +1 (704) 504-0222 · Fax +1 (704) 504-0223
www.lutze.com · info@lutze.com

United Kingdom: LÜTZE Ltd.

Unit 3, Sandy Hill Park
Sandy Way, Amington · GB-Tamworth, Staffs B77 4DU
Tel. +44 (0)1827 31333-0 · Fax +44 (0)1827 31333-2
www.lutze.com · sales.gb@lutze.co.uk