



<b>Identification</b>	Type	RJ45 F/F 8/8 Cat.5e
	Part-No.	492075

<b>Description</b>	RJ45 panel connector for front installation 22.5 mm female/female 1:1 Cat 5e/6
--------------------	--

<b>Technical data</b>	
Nominal voltage	AC 24 V
Nominal voltage range	AC 50 V
Rated current	1.5 A
Pol number	8
Transmission frequency	100 MHz
Category	5e
Contact type	1 : 1
Shielding	shield connected through

<b>General</b>	
Form	RJ45
Pollution degree	3
Insulation resistance	$\geq 100 \text{ M}\Omega$
Contact resistance	$\leq 30 \text{ m}\Omega$

30.01.2017 – Subject to technical modification

Part-No. 492075

USA: LUTZE INC.

13330 South Ridge Drive • Charlotte, NC 28273, USA  
Tel. +1 (704) 504-0222 • Fax +1 (704) 504-0223  
www.lutze.com • info@lutze.com

United Kingdom: LÜTZE Ltd.

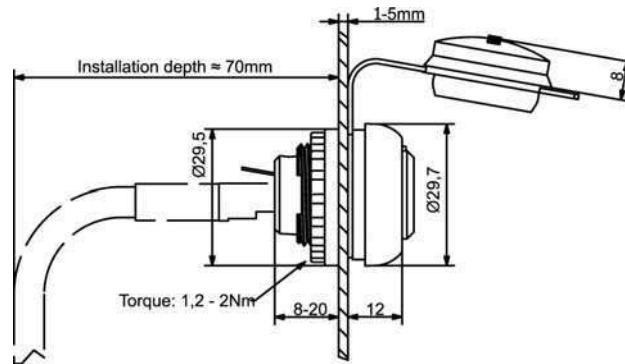
Unit 3, Sandy Hill Park  
Sandy Way, Amington • GB-Tamworth, Staffs B77 4DU  
Tel. +44 (0)1827 31333-0 • Fax +44 (0)1827 31333-2  
www.lutze.com • sales.gb@lutze.co.uk



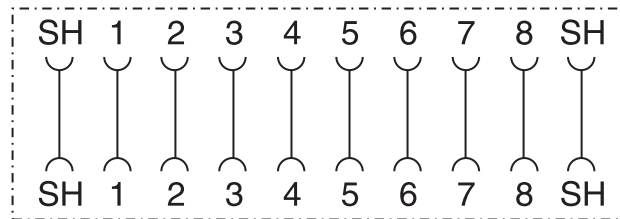
## Technical data sheet - Actuator sensor interface

Class of flammability according to UL 94	V0
Protection class	IP 65 and NEMA UL Type 12 in closed and IP 20 in inserted condition
Housing material	PA-GF25; PBT Gf20; Coverage TPU
Coverage	TPU
Contact material	CuSn, gold-plated
Field installation	Front plate cutout D=22.5mm
Installation depth	approx. 70 mm
Cable construction	8 (4-pair)
Storage temperature range	-25 °C ... 80 °C
Operation temperature range	-25...+70 °C
Dimension	(?×D) 29.5 × 29 mm
Mechanical service life	<750 insertion cycles
Weight (kg/piece)	0.016
Approvals	cULus
PU	1

### Dimensions



### Circuit diagram



30.01.2017 – Subject to technical modification

Part-No. 492075

USA: LUTZE INC.

13330 South Ridge Drive • Charlotte, NC 28273, USA

Tel. +1 (704) 504-0222 • Fax +1 (704) 504-0223

www.lutze.com • info@lutze.com

United Kingdom: LÜTZE Ltd.

Unit 3, Sandy Hill Park

Sandy Way, Amington • GB-Tamworth, Staffs B77 4DU

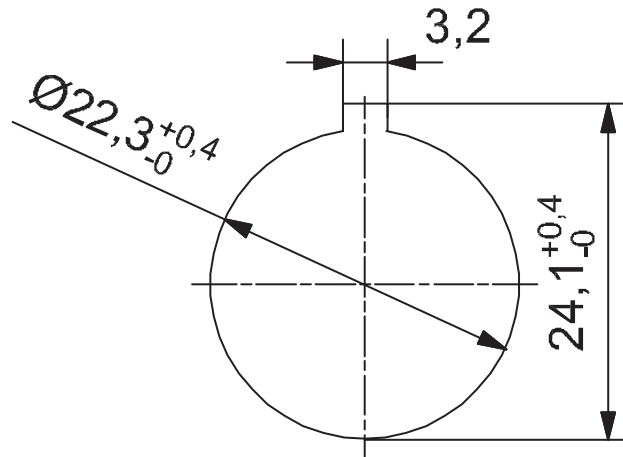
Tel. +44 (0)1827 31333-0 • Fax +44 (0)1827 31333-2

www.lutze.com • sales.gb@lutze.co.uk

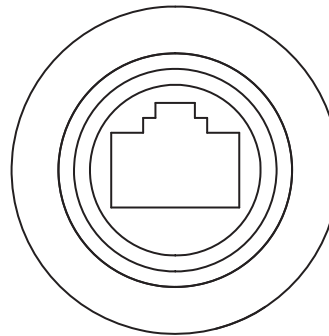


SYSTEMATIC TECHNOLOGY

Mounting diagram



front view:



Symbols



30.01.2017 – Subject to technical modification

Part-No. 492075

USA: LUTZE INC.

13330 South Ridge Drive · Charlotte, NC 28273, USA  
Tel. +1 (704) 504-0222 · Fax +1 (704) 504-0223  
www.lutze.com · info@lutze.com

United Kingdom: LÜTZE Ltd.

Unit 3, Sandy Hill Park  
Sandy Way, Amington · GB-Tamworth, Staffs B77 4DU  
Tel. +44 (0)1827 31333-0 · Fax +44 (0)1827 31333-2  
www.lutze.com · sales.gb@lutze.co.uk